

# Pedestal Kit for FB10b/FK10b ULH iC7 Series Ultra Low-Harmonic Frequency Converters

## 1 Overview

### 1.1 Description

The pedestal kit is designed for ultra low-harmonic frequency converters in FB10b/FK10b frames. The pedestal features a front grill that enables the necessary airflow for cooling. Drives with a pedestal require a cable entry plate for proper operation. Use the cable entry plate that ships with the drive to maintain the IP21/Type 1 or IP54/Type 12 protection rating.

### 1.2 Kit Number

Use these instructions with the following kits.

**Table 1: Pedestal Kit for iC7 Series ULH Frequency Converters, FB10b/FK10b Frames**

Number	Product store description
176F4330	Kit, Pedestal, 400mm, FB10b/FK10b


### 1.3 Items Supplied

**Table 2: Items Supplied in Pedestal Kit**

Item	Quantity
Pedestal base	1
Front grill	1
Upper front flange	1
Lower front flange	1
Side plate	2
M10 nylon-insert lock nut	3
Locking bracket	3
M8 hex nut	4
M5x14 countersunk screw	12

## 2 Installation

### 2.1 Safety Information

NOTICE	
	<p><b>QUALIFIED PERSONNEL</b></p> <p>Only qualified personnel are allowed to install the parts described in these installation instructions.</p> <ul style="list-style-type: none"> <li>Disassembly and reassembly of the drive must be done in accordance with the corresponding service guide.</li> <li>Use the standard fastener torque values from the service guide, unless the torque value is specified in these instructions.</li> </ul>

**WARNING**

**ELECTRIC SHOCK HAZARD**

Frequency converters contain dangerous voltages when connected to mains voltage. Installing or servicing the frequency converter with power connected can cause death, serious injury, or equipment failure.

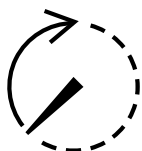
- Only use qualified electricians for the installation.
- Disconnect the frequency converter from all power sources before installation or service.
- Treat the frequency converter as live whenever the mains voltage is connected.
- Follow the guidelines in these instructions and local electrical safety regulations.

**WARNING**

**DISCHARGE TIME (20 MINUTES)**

The drive contains DC-link capacitors, which can remain charged even when the drive is not powered. High voltage can be present even when the warning LED indicator lights are off.

Failure to wait 20 minutes after power has been removed before performing service or repair work can result in death or serious injury.



- Stop the motor.
- Disconnect AC mains and remote DC-link power supplies, including battery backups, UPS, and DC-link connections to other drives.
- Disconnect or lock the PM motor.
- Wait for the capacitors to discharge fully. The minimum waiting time is 20 minutes.
- Before performing any service or repair work, use an appropriate voltage measuring device to make sure that the capacitors are fully discharged.

**WARNING**

**INTERNAL FAILURE HAZARD**

An internal failure in the drive can result in serious injury when the drive is not properly closed.

- Ensure that all safety covers are in place and securely fastened before applying power.

**NOTICE**
**ELECTROSTATIC DISCHARGE**

Electrostatic discharge can damage components.

- Follow standard ESD procedures.
- Ensure discharge before touching internal components, for example, by touching a grounded, conductive surface or by wearing a grounded armband.

## 2.2 Overview of Pedestal Installation

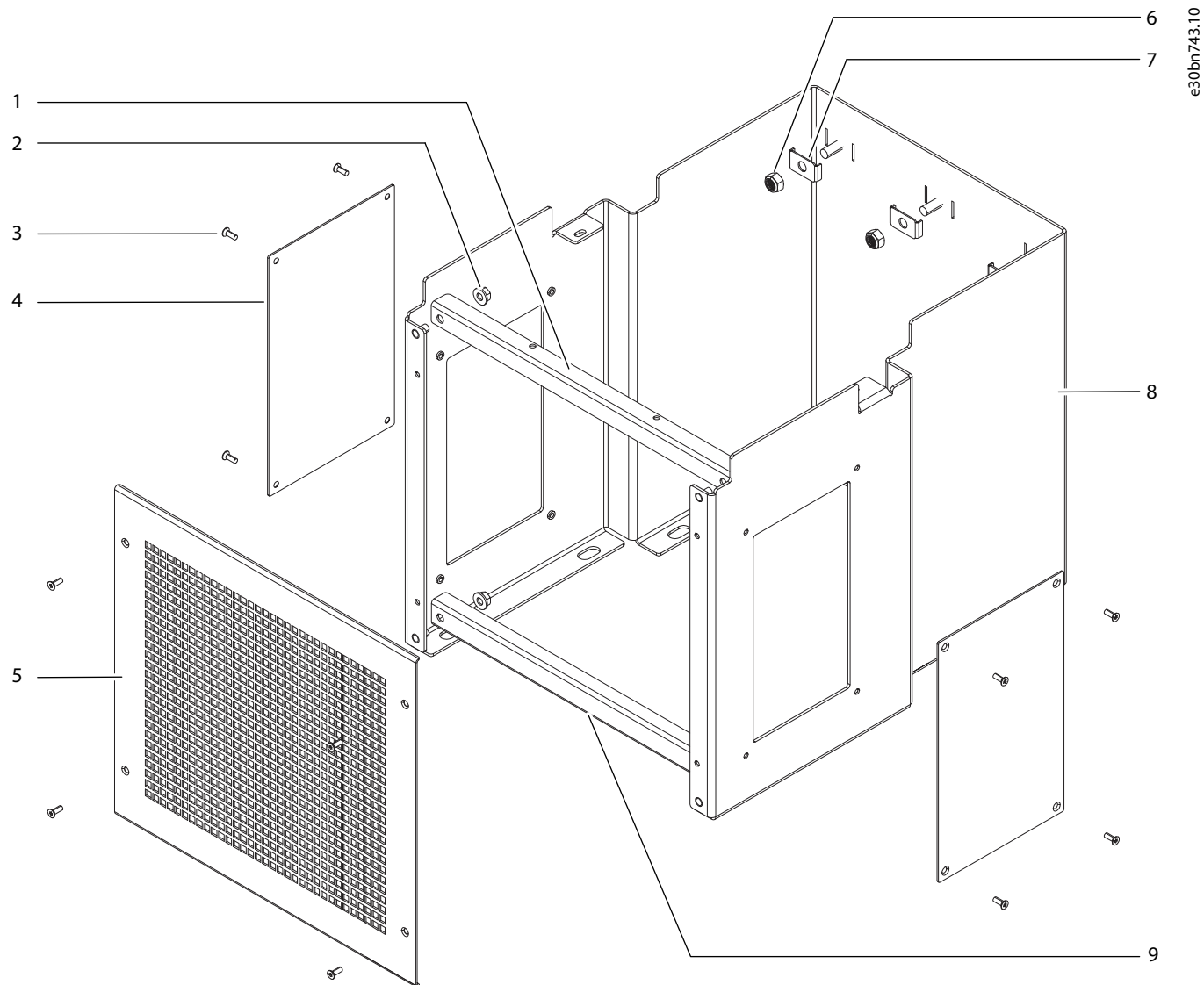


Figure 1: Pedestal Kit Overview (FB10b/FK10b ULH)

1	Upper front flange (1)	2	M8 hex nut (4)
3	M5x14 countersunk screw (12)	4	Side plate (2)
5	Front grill (1)	6	M10 nylon-insert lock nut (3)
7	Locking bracket (3)	8	Pedestal base (1)
9	Lower front flange (1)		

## 2.3 Lifting the Frequency Converter

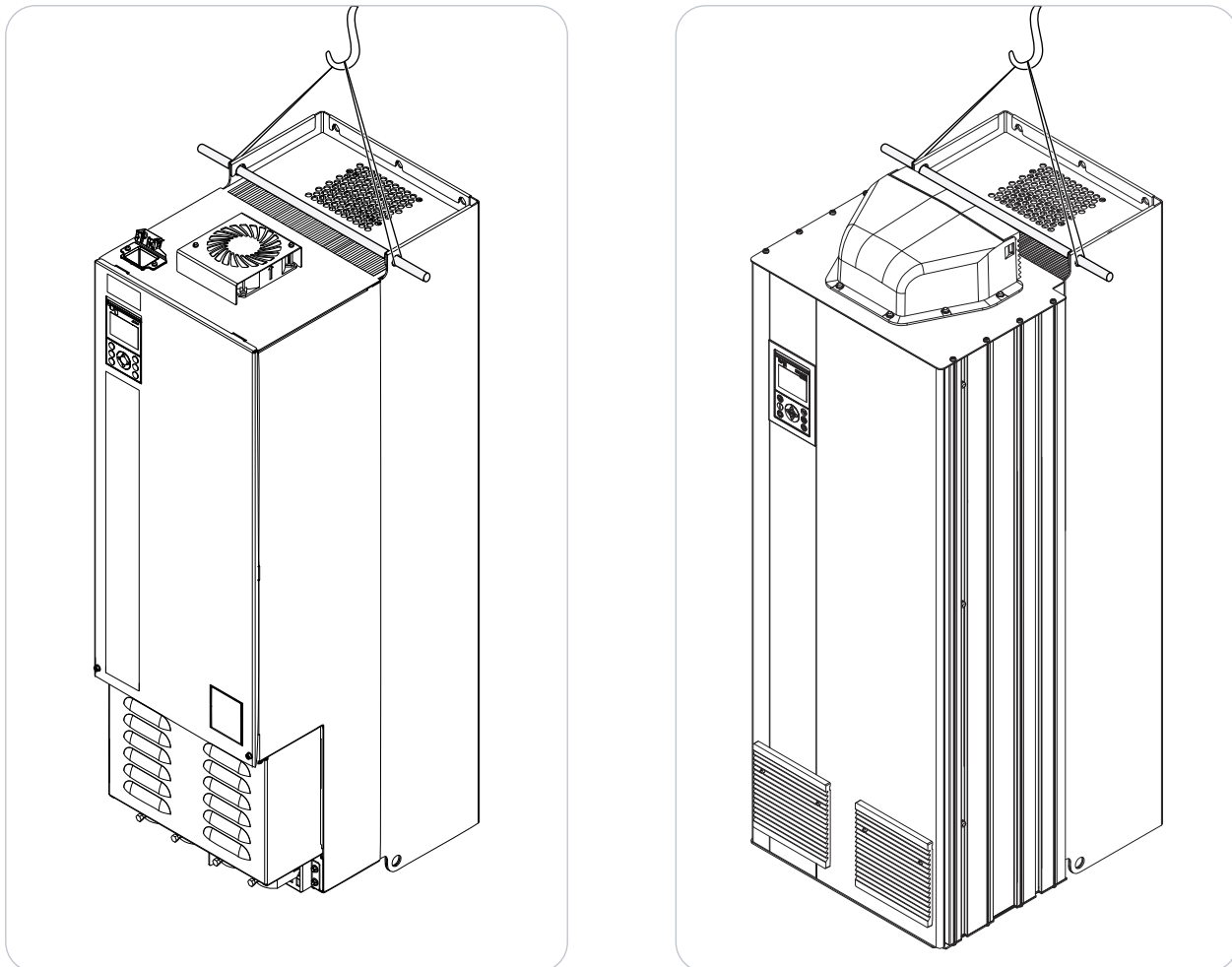
### WARNING

#### LIFTING HEAVY LOAD

The drive is heavy. Failure to follow local safety regulations for lifting heavy weights may cause death, personal injury, or property damage.

- Follow local regulations for lifting.
- Check the weight of the drive. The weight is provided on the outside of the shipping box and the exterior of the drive.
- Ensure that any lifting equipment is in proper working condition and can safely lift the weight of the drive.
- Lift the frequency converter using the eye bolts or integrated lifting eyes at the top of the drive.
- Test lift the unit to verify the proper center of gravity lift point. Reposition if not level.
- Never walk or reach under suspended loads.

Always lift the frequency converter using the recommended lifting method and safety precautions. For Fx10b frames, see [Figure 2](#).



e30bn054.11

Figure 2: Recommended Lifting Method, FA10b and FB10b/FK10b

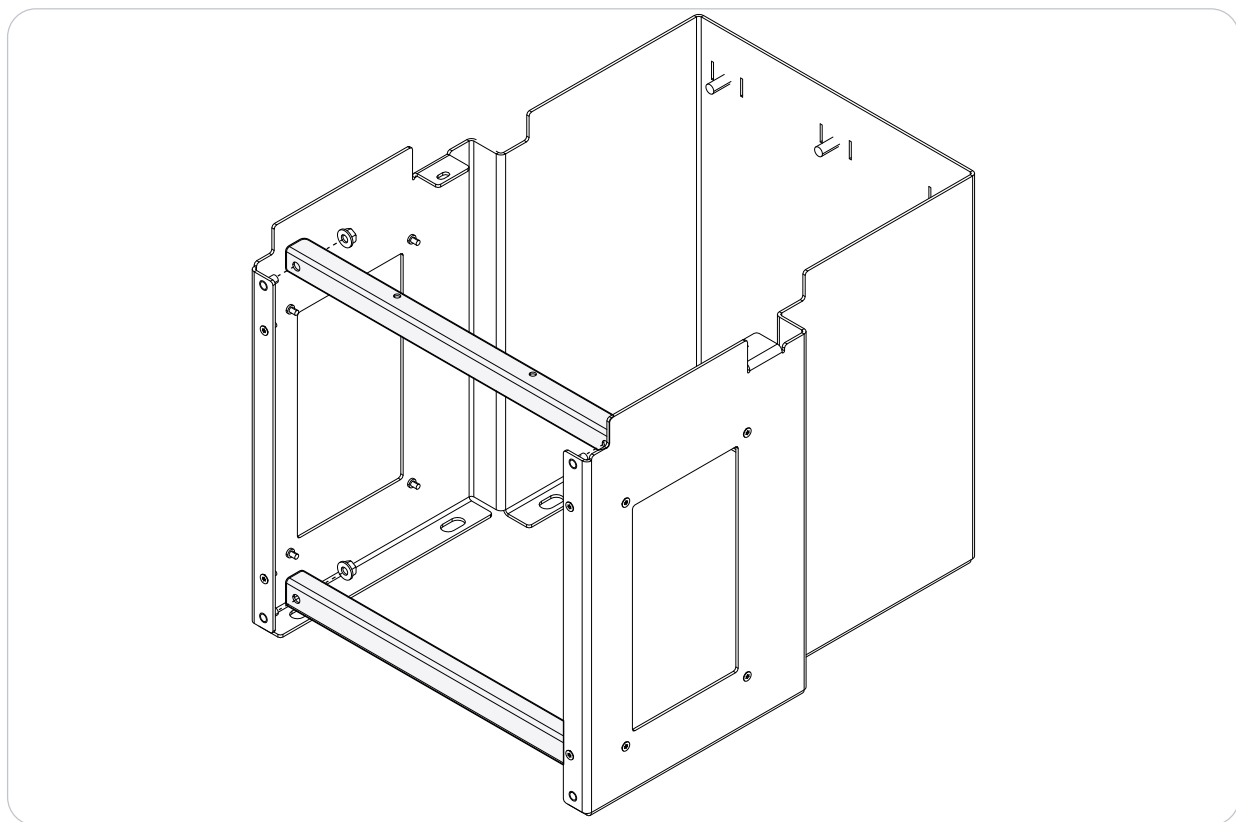
## 2.4 Securing the Pedestal to the Floor

To secure the pedestal to the floor before installing the frequency converter, use the following steps.

1. Attach the upper and lower front flanges to the pedestal base using 4 M8 hex nuts (13 mm), 2 in each flange. See [Figure 3](#).
2. Use the dimension drawings to create 10 mounting holes for the pedestal. See [Figure 4](#).

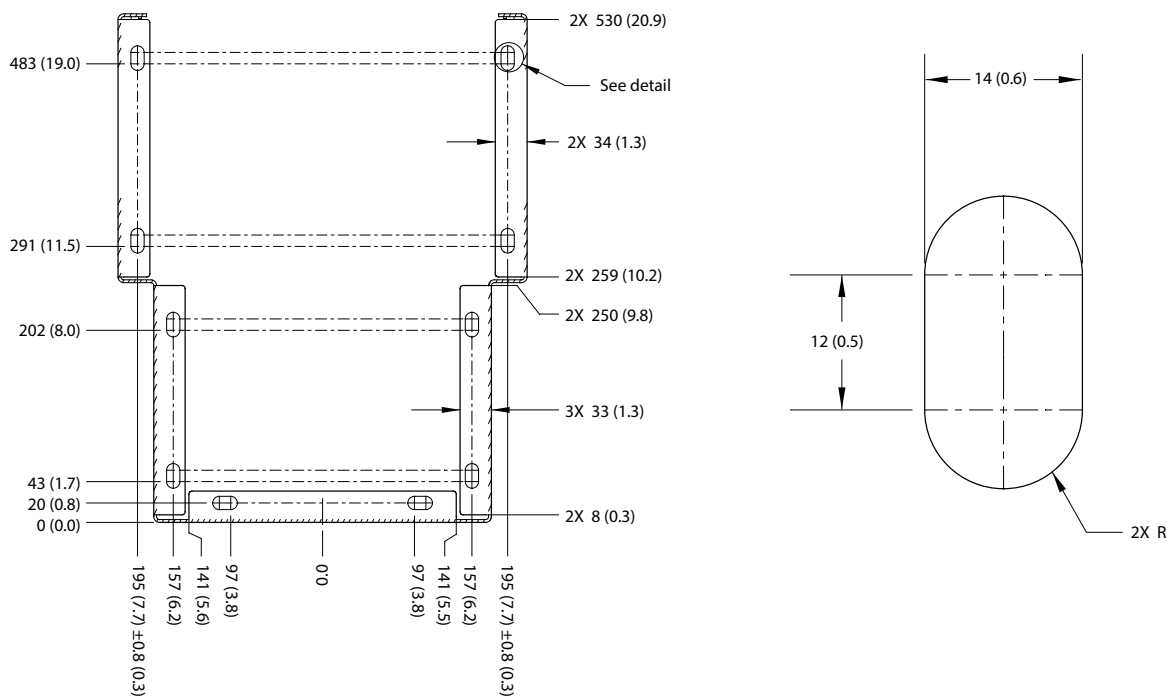
- Set the pedestal base on the floor and secure it using 10 M12 bolts (18 mm) through the mounting holes.

M12 bolts are not provided. Torque the bolts to 35 Nm (310 in-lb).



e30bn745.10

Figure 3: Installation of Upper and Lower Front Flanges (FB10b/FK10b ULH)



e30bn744.10

Figure 4: Dimensions for Pedestal Mounting Holes (FB10b/FK10b ULH)

## 2.5 Attaching the Frequency Converter

After the pedestal is secured to the floor, use the following steps to attach the frequency converter to the pedestal. If the cable entry plate does not have openings for the cables, remove the plate and create the openings before beginning this procedure.

1. At the lower end of the frequency converter, remove 4 screws (T25), 2 from the front of the base plate and 1 from each side. See [Figure 5](#).

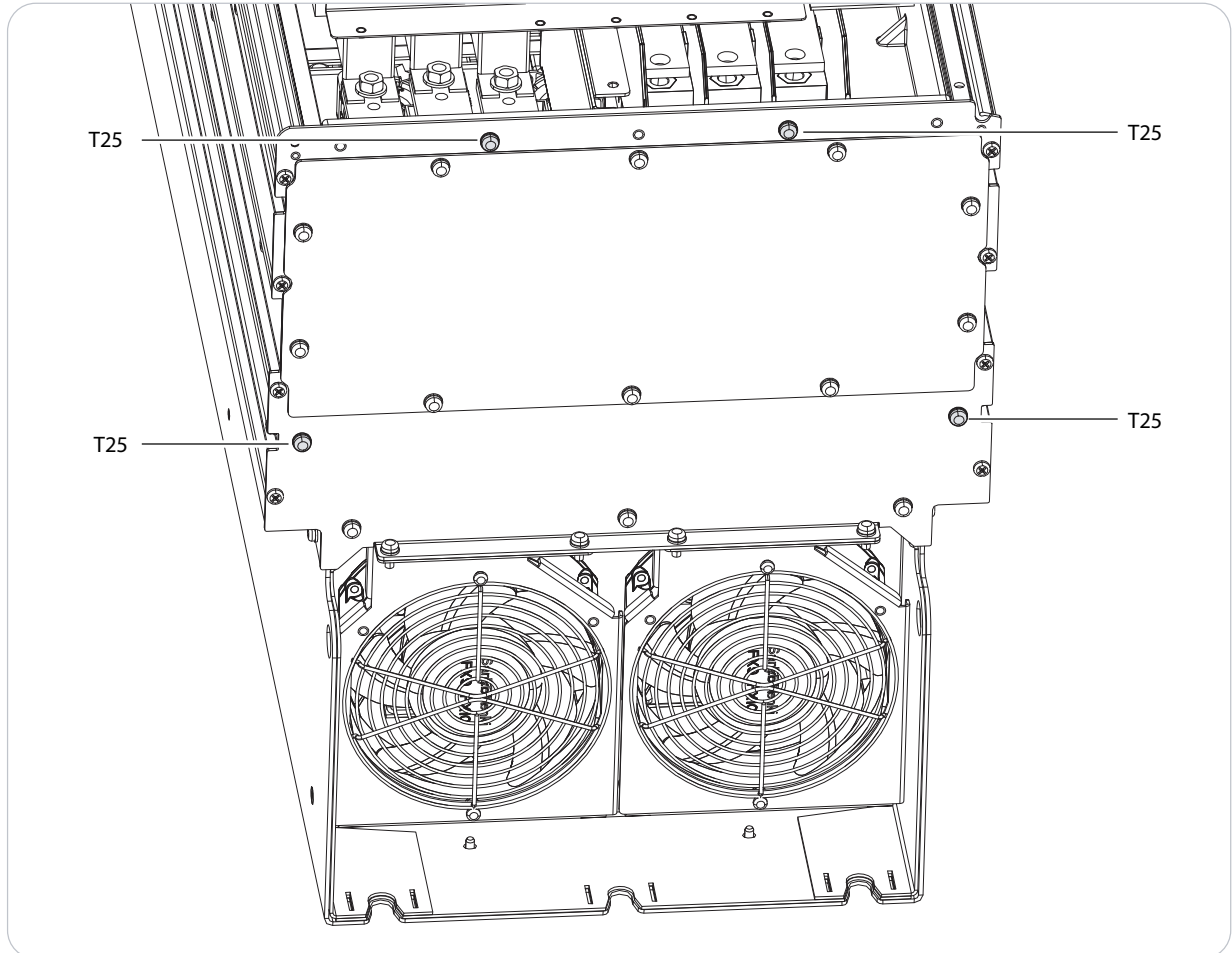


Figure 5: Removal of Existing Screws Before Attaching Pedestal (FB10b/FK10b ULH)

2. Lift the frequency converter and position it on the pedestal base. See [2.3 Lifting the Frequency Converter](#).
3. Fasten the pedestal to the base using the 4 existing screws (T25) removed in step 1. See [Figure 6](#).
4. Secure the cabinet to the threaded studs at the back of the pedestal using 3 locking brackets and 3 M10 nylon-insert lock nuts (17 mm). See [Figure 6](#).

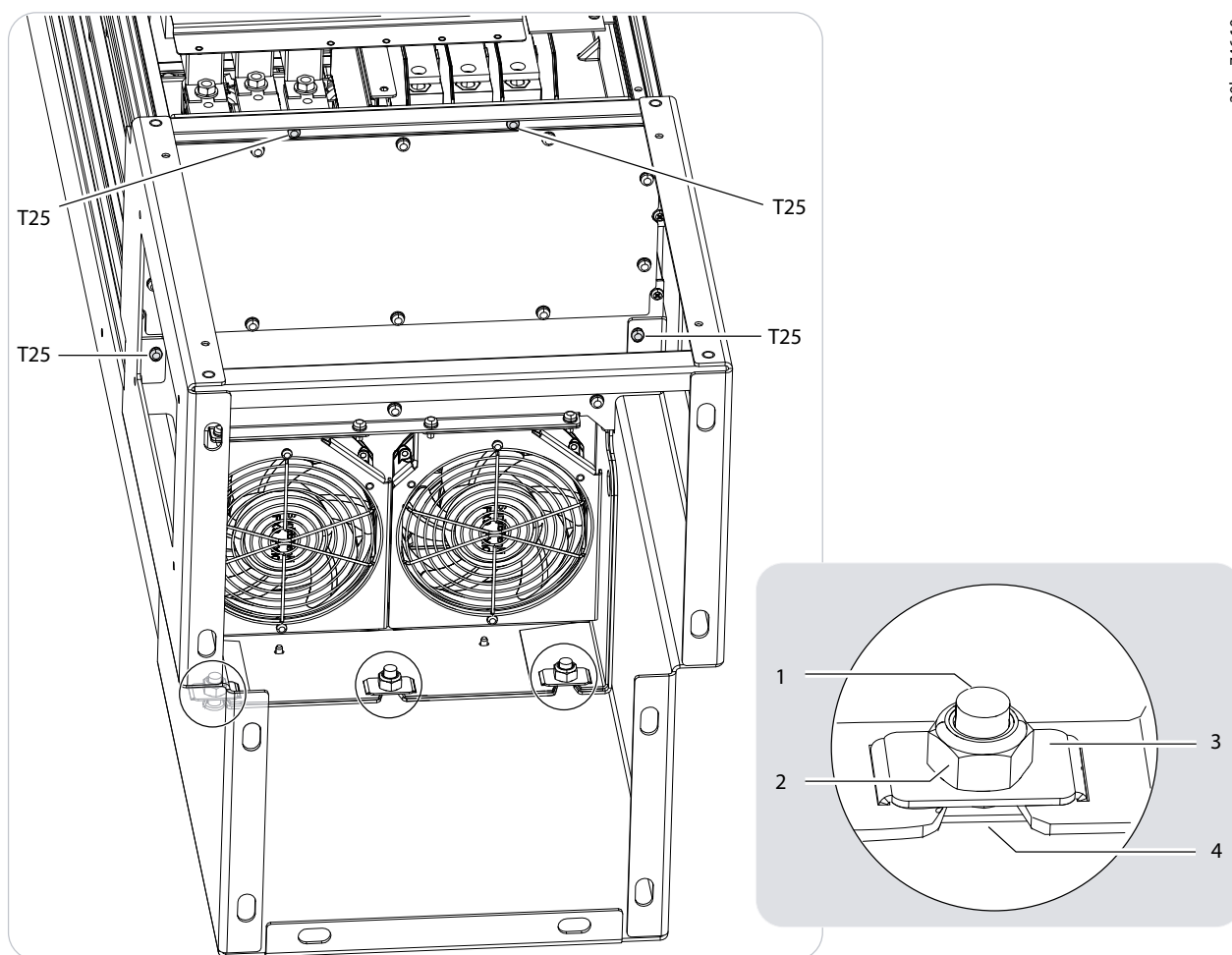


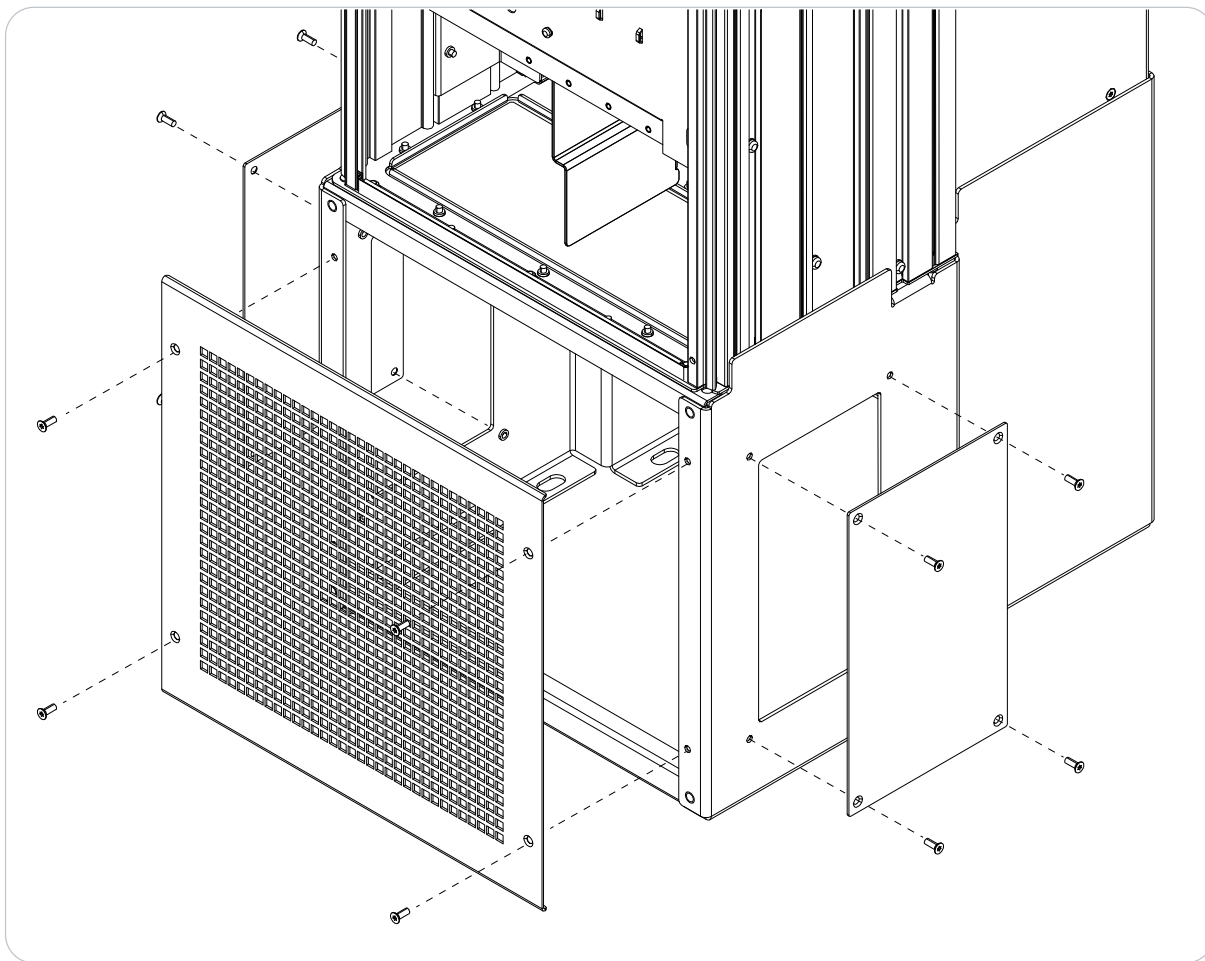
Figure 6: Pedestal-to-Cabinet Mounting Points (FB10b/FK10b ULH)

1	Stud	2	M10 nylon-insert lock nut
3	Locking bracket	4	Mounting slot in cabinet

## 2.6 Attaching the Front Grill and Side Plates

After attaching the frequency converter to the pedestal base, use the following steps to complete the pedestal installation.

1. Route the mains and motor wiring through the cable entry plate, and connect the wiring to the mains and motor terminals.
2. Fasten the 2 side plates to the pedestal using 8 M5x14 countersunk screws (T25), 4 screws in each plate. See [Figure 7](#).
3. Fasten the front grill to the pedestal with 4 M5x14 countersunk screws (T25). See [Figure 7](#).



e310bn748.10

Figure 7: Installation of Pedestal Front Grill and Side Plates (FB10b/FK10b ULH)

Danfoss A/S  
DK-6300 Graasten  
Ulsnaes 1  
[drives.danfoss.com](http://drives.danfoss.com)



Any information, including, but not limited to information on selection of product, its application or use, product design, weight, dimensions, capacity or any other technical data in product manuals, catalog descriptions, advertisements, etc. and whether made available in writing, orally, electronically, online or via download, shall be considered informative, and is only binding if and to the extent, explicit reference is made in a quotation or order confirmation. Danfoss cannot accept any responsibility for possible errors in catalogs, brochures, videos and other material. Danfoss reserves the right to alter its products without notice. This also applies to products ordered but not delivered provided that such alterations can be made without changes to form, fit or function of the product. All trademarks in this material are property of Danfoss A/S or Danfoss group companies. Danfoss and the Danfoss logo are trademarks of Danfoss A/S. All rights reserved.

