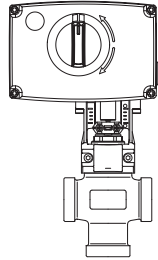
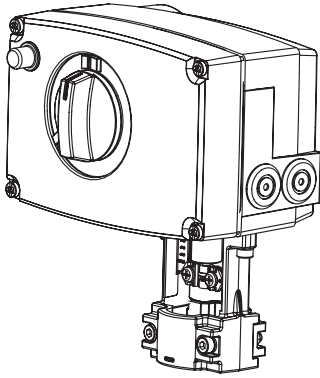
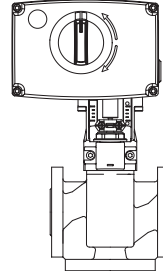


Инструкция

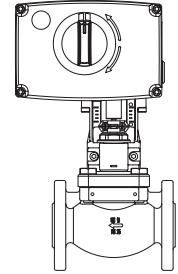
AMV 25, AMV 35



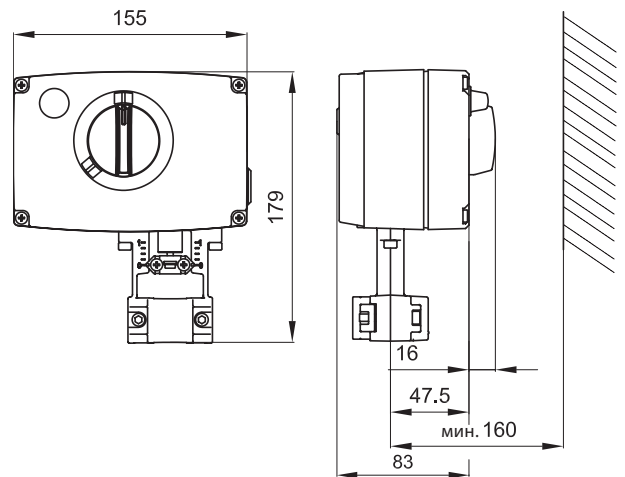
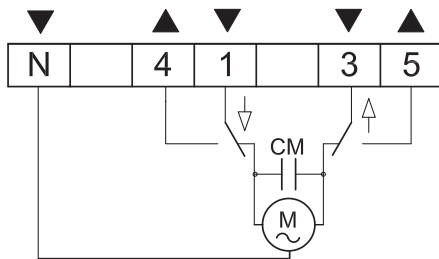
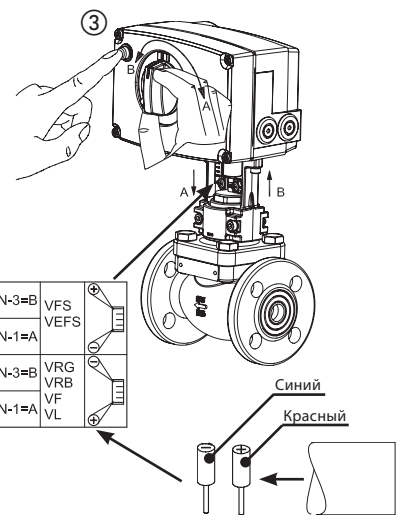
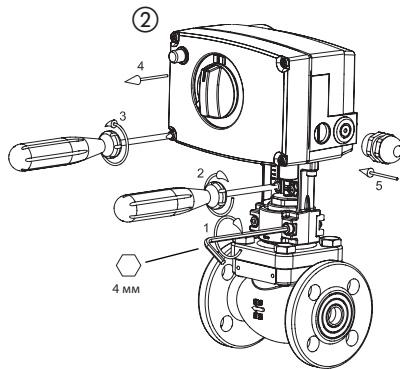
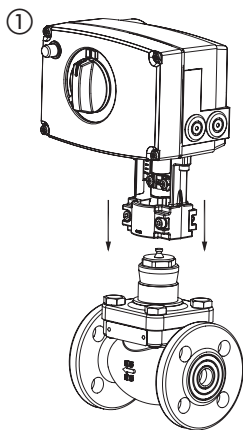
AMV 25, AMV 35 +
VRB 2/3, VRG 2/3

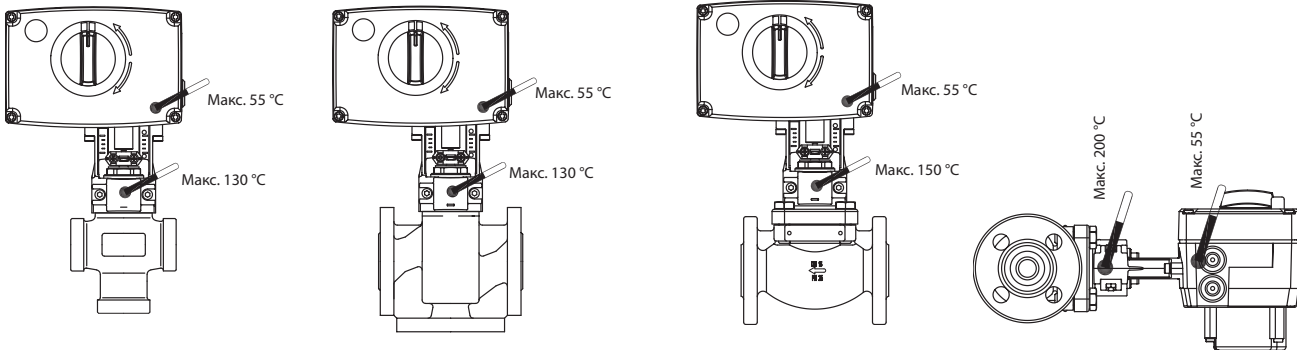


AMV 25, AMV 35 +
VF 2/3 ($D_y = 15-50$ мм),
VL 2/3 ($D_y = 15-50$ мм)

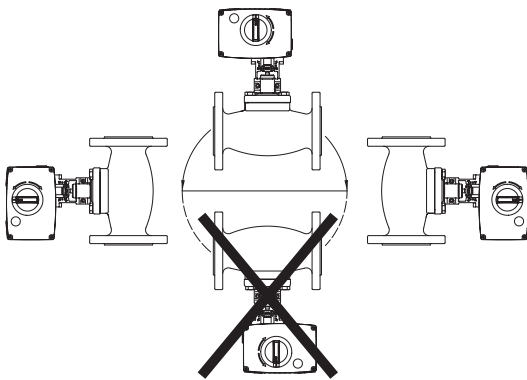


AMV 25, AMV 35 +
VFS 2 ($D_y = 15-50$ мм),
VEFS 2





$T_{\text{макс.}} \leq 150^{\circ} \text{C}$



$T_{\text{макс.}} = 150 \dots 200^{\circ} \text{C}$

