



**Applications and Features:**

The VTA 572 is a 3-way thermostatic valve for either mixing or diverting applications within hydronic closed loop systems. This particular non-electric thermostatic controller has a low temperature range providing an ideal control for a thermostatic changeover application, while providing a cost effective means to meet application demands. The VTA572 is available in two temperature ranges:

- 50 - 86°F (0 - 30°C)
- 68 - 109°F (20 - 43°C)

**Technical Data:**

Working Pressure	145 psi (10 bar)
Maximum Differential Pressure	14.5 psi (1 bar)
Minimum flow rate	2.4 gpm
Allowable Anti-freeze Additive	Glycol ≤50% mixture
Maximum Fluid Temperature	(100C)
Outlet Temperature Variation	±4.5°F (±2.5°C)

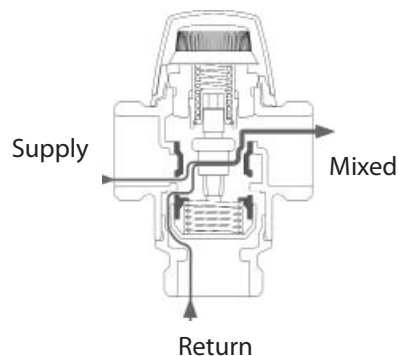
**Ordering Information:**

Code no.	Cv	Description	Connection
<b>31700100</b>	5.2	3/4" Union valve body, 50-86°F (0-30°C)	G1 external thread
<b>31700200</b>	5.2	3/4" Union valve body, 68-109°F (20-43°C)	G1 external thread

Required Tailpieces Kit

Code no.	Description
<b>065B8892</b>	3/4" Union x 3/4" Female Solder
<b>065B8899</b>	3/4" Union x 1" Female Solder

**Flow Pattern:**



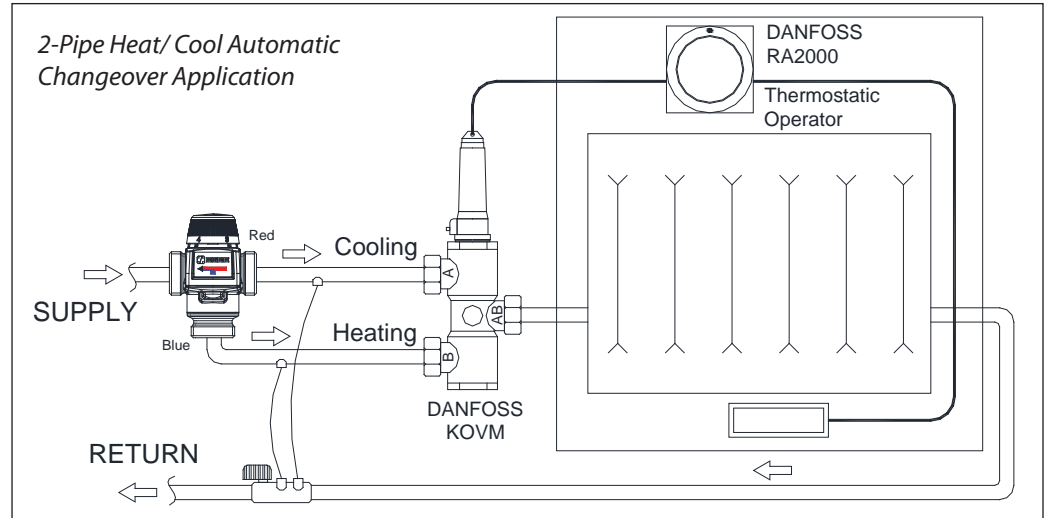
As a mixing valve supply through the VTA572 will enter from the left, mix with return water entering from the bottom and leave as mixed water from the right.

In a diverting application, water will enter from the right (Mixed) and depending on the set and sensed temperature will exit the valve as follows:

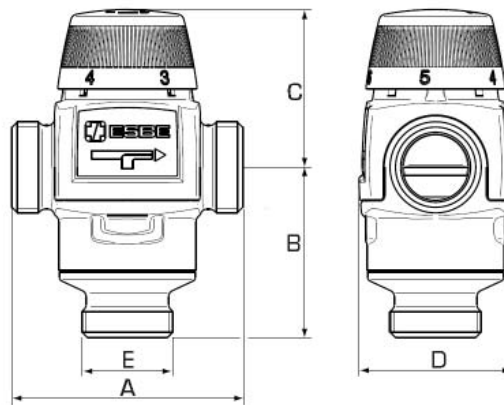
- 1) Water temperature higher than set, flow will exit the Return port
- 2) Water temperature is lower than set, flow will exit Supply port

**Typical Piping:**

The VTA 572 thermostatic mixing valve is well suited for use in hydronic heating systems requiring a reduced hot water temperature such as in radiant heating systems or automatic change over system for 2-pipe or 4-pipe hot/ chilled water application. With the VTA 572, no electricity is required to regulate the water temperature for changeover or the regulation of water temperature to the system.



**Dimensions & Weight**



Description	Dimensions, in (mm)					Weight lbs (kg)
	A	B	C	D	E	
3/4" Union valve body, 50-86°F (0-30°C)	3.9"	2.4"	2.3"	2.2"	G 1"	2.2 (0.99)
3/4" Union valve body, 68-109°F (20-43°C)	(100)	(62)	(60)	(57)		

Danfoss can accept no responsibility for possible errors in printed materials and reserves the right to alter its products without notice. All trademarks in this material are property of the respective companies. Danfoss and Danfoss logotype are trademarks of Danfoss A/S. All rights reserved.



**Danfoss Inc.**  
Toronto, ON,  
Tel.: 866-375-4822, Fax: 905-285-2055  
www.na.heating.danfoss.com

**Danfoss Inc.**  
Baltimore, MD  
Tel.: 866-375-4822, Fax: 443-512-0270  
www.na.heating.danfoss.com