

Data sheet

Non return Valve - Danfoss NVD 802

Description



Features:

- Operating position : horizontal and vertical
- Easy to install and dismantle, space-saving
- Minimum head loss
- Does not generate hammering
- Closing system : disc with parabolic edges with return spring ; lateral guiding by 3 or 4 ribs (DN 32 to 100).

- Closing system with back axial guiding and return spring (DN 125 to 200).
- Metal/metal seal (machined trim)
- Using these check valves on networks equipped with piston pumps or compressors is not recommended.

Main Data:

- DN 32 - 200
- k_{vs} 18 - 546 m³/h
- PN 6/16
- Medium:
 - Circulation water, drinking water or chilled glycolic water up to 50%
- Medium Temperature:
 - 10 ... 200°C (DN65 to 200mm : 100°C)
- Mounting between langes PN6/16
- Compliance with Pressure Equipment Directive 2014/68/EU
- Flange drilling according to EN1092-2

- Approvals:

Ordering

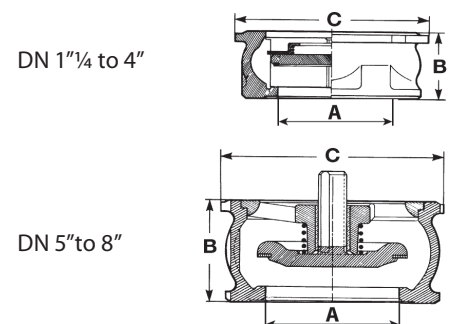
"	DN	Kv (m ³ /h)	PN	PFA (bar)	PS (bar)				Code No.
					L1	L2	G1	G2	
1 ¼	32	18	6/16	16	16	16	16	16	065B7520
1 ½	40	28							065B7521
2	50	40,1							065B7522
2 ½	65	72,5							065B7523
3	80	111							065B7524
4	100	182	16	16	13	16	16	16	065B7525
5	125	302							065B7526
6	150	370							065B7527
8	200	546							10

Note:

The indicated pressure for the different categories of fluids (L1/L2/G1/G2) is under no condition a guarantee of use. Therefore, it is essential to validate the use of products under given operating conditions.

Dimensions

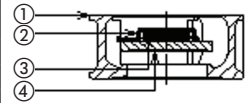
"	A DN	B (mm)	C (mm)	D (mm)	Weight (kg)
1 ¼	32	28	78	84	0,35
1 ½	40	31,5	88	94	0,52
2	50	40	98	109	0,73
2 ½	65	46	118	129	1,52
3	80	50	134	144	2,17
4	100	60	154	162	3,35
5	125	90	-	194	8,55
6	150	106	-	218	12,70
8	200	140	262	273	23,40



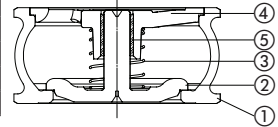
Design

Pos.	Description	Material	EURO	ANSI
1	Casing DN32 to 50 Casing	DZR brass	CuZn35Pb2Al-C	
	DN65 to 100	Cast iron + epoxy ext.	EN-GJL-250	ASTM A 48 35 B
	Casing DN125 to 200	Cast iron + epoxy ext.	EN-GJS-400-15	ASTM A 536 60-40-18
2	Closing system DN32 to 100	Stainless steel	X2CrNiMo17-12-2	AISI 316L
	Closing system DN125 to 200	Cast iron + epoxy	EN-GJL-250	ASTM A 48 35 B
3	Spring	Stainless steel	X10CrNi18-8	AISI 302
4	Stop guide DN32	Stainless steel	X2CrNiMo17-12-2	AISI 316L
	Stop guide DN40 to 100	Stainless steel	X2CrNi18-9	AISI 304L
	Stop guide DN125 to 200	Cast iron + epoxy	EN-GJL-250	ASTM A 48 35 B
5	Ring DN125 to 200	Bronze	CuSn12-C	

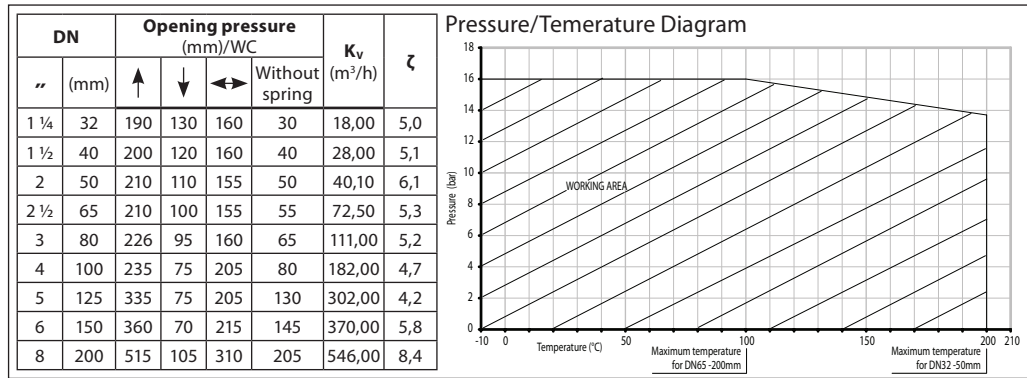
DN 1"¼ to 4"



DN 5" to 8"

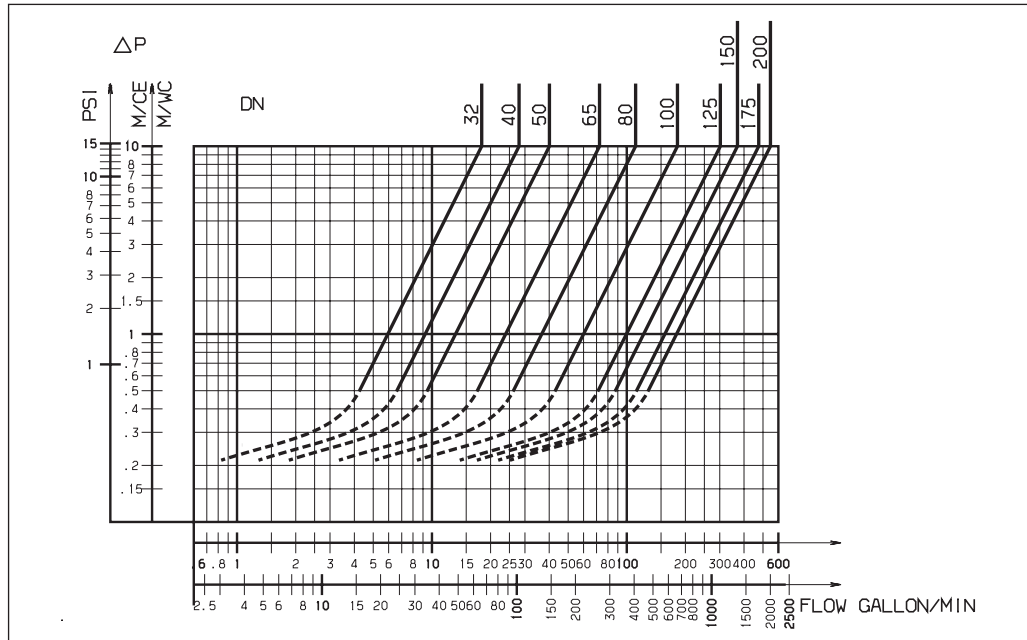


Headloss diagram



Direction for use :

- Solid line : Valve completely open
- Dotted line : opening stage of valve



Danfoss can accept no responsibility for possible errors in catalogues, brochures and other printed material. Danfoss reserves the right to alter its products without notice. This also applies to products already on order provided that such alterations can be made without consequential changes being necessary in specifications already agreed. All trademarks in this material are property of the respective companies. Danfoss and the Danfoss logotype are trademarks of Danfoss A/S. All rights reserved.