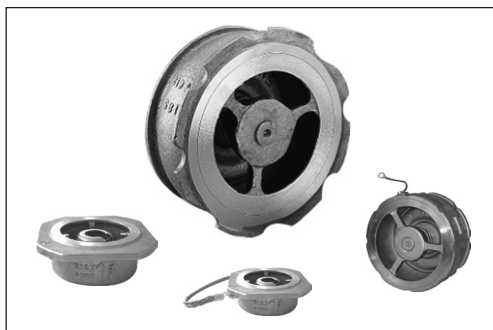


Data sheet

Non return Valve - Danfoss NVD 812

Description



Features:

- Operates in any position
- Easy to install and dismantle, space-saving
- Minimum head loss
- Does not generate hammering
- Closing system : disc with parabolic edges with return spring ; lateral guiding by 3 or 4 ribs (DN 15 to 100).
- Closing system with back axial guiding and return spring (ND 125 to 200).
- Metal/metal seal (machined trim)

- Using these check valves on networks equipped with piston pumps or compressors is not recommended.

Main Data:

- DN 15 - 200
- k_{vs} 4,24 - 546 m³/h
- PN 25/40
- Medium:
 - Circulation water, drinking water or chilled glycolic water up to 50%
- Medium Temperature:
 - 10 ... 350°C
- Leakage rate according to EN12266-1 rate E
- International construction Standards:
 - CE Conformity Directive 2014/68/EU
 - Connection acc. to ASA B16.1 class 125RF
 - Connection according to ASA B16.5 class 150RF and 300RF
 - Connection according to EN 1092.2
 - Overall dimensions according to EN558-1 series 49
- Approvals:

Ordering

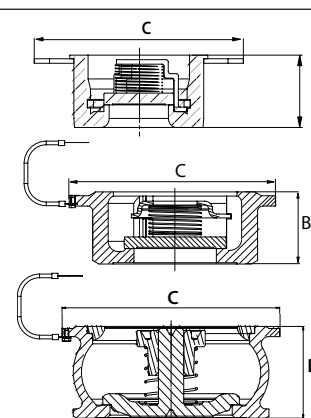
| " | DN | Kv (m ³ /h) | PN | PFA (bar) | PS (bar) | | | | Code No. |
|----|-----|---------------------------|----|--------------|----------|----|----|----|----------|
| | | | | | L1 | L2 | G1 | G2 | |
| ½ | 15 | 4,24 | 40 | 40 | 40 | 40 | 40 | 40 | 065B7530 |
| ¾ | 20 | 7,80 | | | | | | | 065B7531 |
| 1 | 25 | 12,40 | | | | | | | 065B7532 |
| 1¼ | 32 | 18,00 | | | | | | | 065B7533 |
| 1½ | 40 | 28,00 | | | | | | | 065B7534 |
| 2 | 50 | 40,10 | | | | | | | 065B7535 |
| 2½ | 65 | 72,50 | | | | | | | 065B7536 |
| 3 | 80 | 111,00 | | | | | | | 065B7537 |
| 4 | 100 | 182,00 | | | | | | | 065B7538 |
| 5 | 125 | 302,00 | | | | | | | 065B7539 |
| 6 | 150 | 370,00 | | | | | | | 065B7540 |
| 8 | 200 | 546,00 | | | | | | | 065B7541 |

Note:

The indicated pressure for the different categories of fluids (L1/L2/G1/G2) is under no condition a guarantee of use. Therefore, it is essential to validate the use of products under given operating conditions.

Dimensions

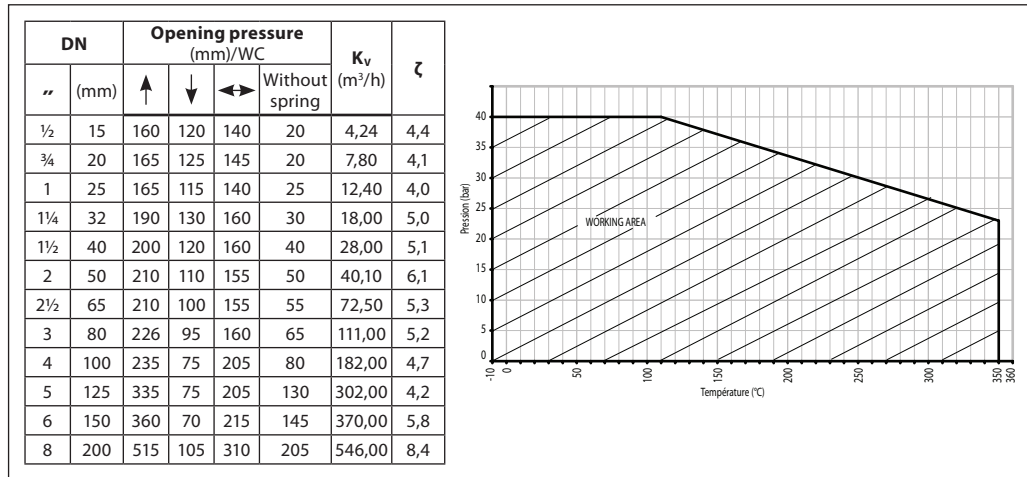
| " | A DN | B (mm) | C-PN6 (mm) | C - PN10/16/ ASA 150 (mm) | C - PN25/40/ ASA 300 (mm) | Weight (kg) |
|----|---------|-----------|---------------|---------------------------------|---------------------------------|----------------|
| ½ | 15 | 16 | 44 | 53 | 53 | 0,10 |
| ¾ | 20 | 19 | 54 | 63 | 63 | 0,14 |
| 1 | 25 | 22 | 64 | 73 | 73 | 0,23 |
| 1¼ | 32 | 28 | 78 | 84 | 84 | 0,35 |
| 1½ | 40 | 31,5 | 88 | 94 | 94 | 0,52 |
| 2 | 50 | 40 | 98 | 109 | 109 | 0,73 |
| 2½ | 65 | 46 | 118 | 129 | 129 | 1,52 |
| 3 | 80 | 50 | 134 | 144 | 144 | 2,17 |
| 4 | 100 | 60 | 154 | 162 | 170 | 3,35 |
| 5 | 125 | 90 | - | 192 | 192 | 8,55 |
| 6 | 150 | 106 | - | 218 | 224 | 12,70 |
| 8 | 200 | 140 | - | - | 284 | 30,00 |



Design

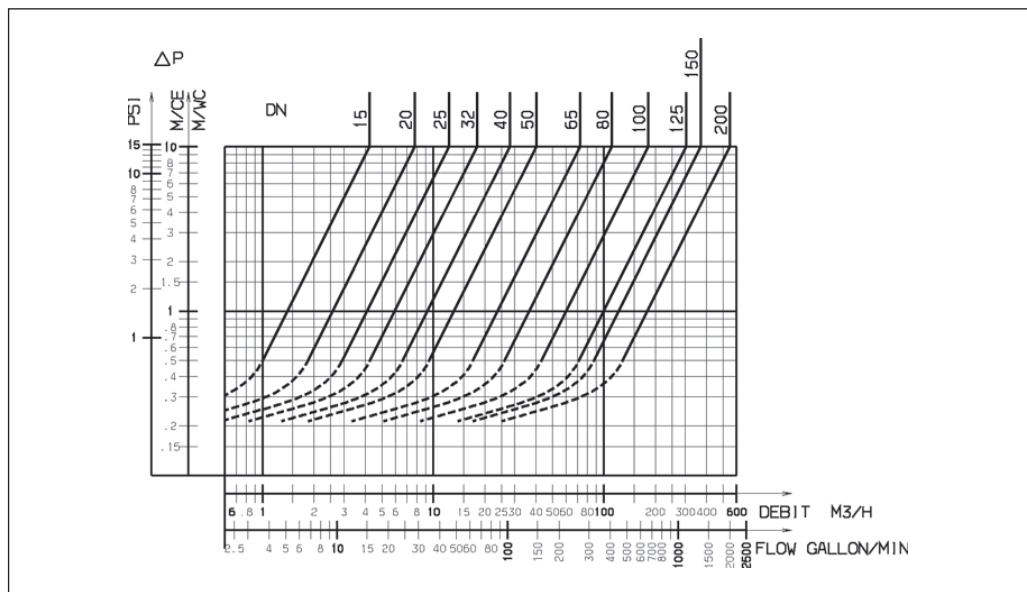
| Pos. | Description | Material | EURO | ANSI |
|------|---|-----------------|---|---|
| 1 | Casing DN15 DN20 to 65 DN80 to 100 DN125 to 200 | Stainless steel | X5CrNi18-10 GX5CrNi19-10 GX2CrNiMo19-11-2 GX5CrNi19-10 | AISI 304 AISI 304 AISI 316L AISI 304 |
| 2 | Closing system DN15 to 100 DN125 to 200 | Stainless steel | X2CrNiMo17-12-2 GX5CrNi19-10 | AISI 316L AISI 304 |
| 3 | Spring | Stainless steel | X10CrNi18-8 | AISI 302 |
| 4 | Stop / Guide DN15 DN20 to 100 DN125 to 150 DN200 | Stainless steel | X5CrNiMo17-12-2 X2CrNi18-9 GX2CrNiMo19-11-2 GX5CrNi19-10 | AISI 316L AISI 304L AISI 316L AISI 304 |
| 5 | Centering collar DN15 Other DN | Stainless steel | X2CrNi18-9 | AISI 304L |
| 6 | Clips | Stainless steel | X10CrNi18-8 | AISI 302 |
| 7 | Discharge anti-static braid | Copper | - | - |

Headloss diagram



Direction for use :

- Solid line : Valve completely open
- Dotted line : opening stage of valve



Danfoss can accept no responsibility for possible errors in catalogues, brochures and other printed material. Danfoss reserves the right to alter its products without notice. This also applies to products already on order provided that such alterations can be made without subsequential changes being necessary in specifications already agreed. All trademarks in this material are property of the respective companies. Danfoss and the Danfoss logotype are trademarks of Danfoss A/S. All rights reserved.