



Application



The RAE series is a programme of radiator thermostats which covers all central and district heating systems. RA is a self-actuating proportional controller with a small P-band.

RAE Radiator thermostats are designed for use in 2-pipe domestic heating systems.

RAE sensors are equipped with a snap-lock mechanism which ensures quick, firm and long lasting mounting of the sensor to the valve body, without the use of tools.

RAE sensors incorporate a "Frost Protection Setting" and a "Positive Off" feature for maximum user flexibility.

The RAE construction is particularly robust, with both End-Stop strength limits and sensor bending force limits being substantially above the requirements of the European Standard EN 215.

RAE is equipped with 2 m of ultra-thin capillary tube, which is coiled up within the remote sensor housing. After sensor mounting capillary tube is pulled out to the required length.

Ordering and data

Type	Version	Setting range	Code no.
RAE 5054	Built-in sensor	8-28 °C	013G5054
RAE 5056	Remote sensor 0-2 m ²		013G5056

Setting the temperature

$X_p = 0 \text{ K}$

$X_p = 2 \text{ K}$

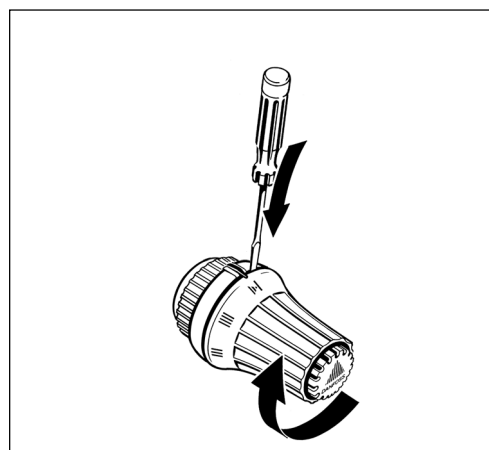
* = Position antigel

10	14	18	22	26	30 °C
*	I	II	III	IIII	>
8	12	16	20	24	28 °C

The required room temperature is set by turning the setting dial. The temperature scales show the correlation between scale values and the room temperature. The temperature values stated are for guidance only as the obtained room temperature will often be influenced by installation conditions.

The temperature scales are stated according to European standards at $X_p = 2^\circ\text{C}$. This means that the radiator thermostats close at a sensor temperature which is 2°C higher than stated on the temperature scales.

Locking the settings



Locking and limitation of the temperature set-point of RAE sensors are carried out using the limiter tabs as shown in the illustration:

- Turn sensor to max.
- Press and hold tab with screw driver while turning handle to desired max setting.
- Remove screwdriver

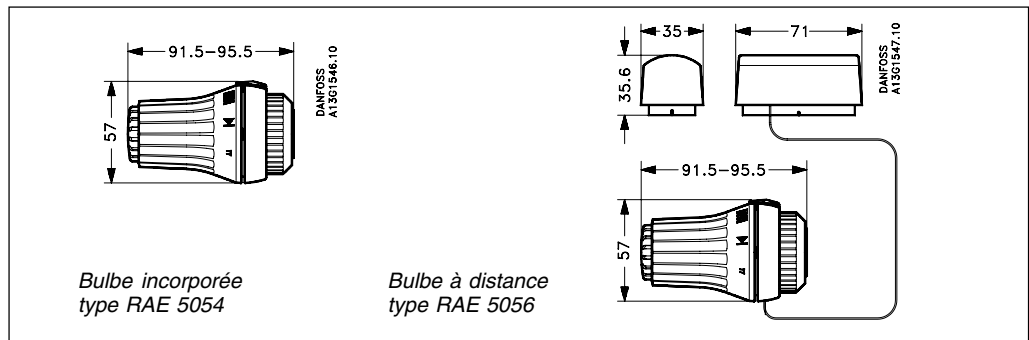
Mounting

The Danfoss snap-on coupling is easy to mount and requires no use of tools, once the valve cover has been removed.

The sensor is fitted to the valve by applying a gentle pressure. When the sensor is in place, the snap-on mechanism is activated and the sensor has been correctly mounted.

If mounting and dismounting are carried out again, the mechanism must be tightened manually by turning the tightening ring.

Mounting



Danfoss can accept no responsibility for possible errors in catalogues, brochures, CD-ROM's and other printed material. Danfoss reserves the right to alter its products without notice. This also applies to products already on order provided that such alterations can be made without subsequential changes being necessary in specifications already agreed. All trademarks in this material are property of the respective companies. Danfoss and the Danfoss logotype are trademarks of Danfoss A/S. All rights reserved.