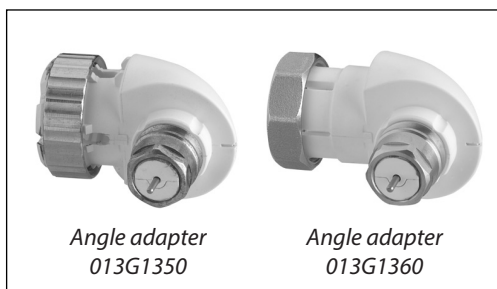


Data sheet

Adapters for thermostatic sensors

Application



Angle adapter

Danfoss angle adapters are used in situations like

- not adequate space for normal mounting
- angle mounting enables easier operation of the sensor

Danfoss angle adapters are available in two versions:

- with pressure connection for the radiator valve and snap-lock for Danfoss RA2000 thermostatic sensors.
Code no. 013G1350
- with M 30 x 1.5 connection for the radiator valve and snap-lock for Danfoss RA2000 thermostatic sensors.
Code no. 013G1360

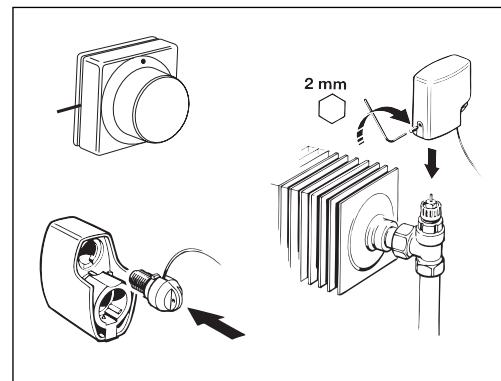
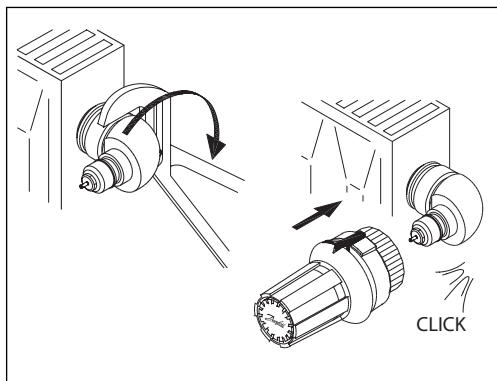
Compact adapter for wall temperature adjusters

The compact adapter is used instead of the standard adapter directly on the actuator.

Due to smaller dimensions, the compact adapter is suitable where space is limited, in recesses or behind panels.

Compact adapters are also suitable as an aesthetic solution, where the wall temperature adjuster is mounted on visible valves, e.g. on towel rail or design radiators.
Code no. 013G5190

Mounting



Dimensions

