



Data Sheet

Joystick Shaping Personality SX Microcontroller



Full featured device

The joystick shaping personality software for the SX microcontroller provides a powerful valve amplifier, packaged to withstand the mobile environment. This device is designed to provide an interface between an analog control signal and a proportional or servo valve. The command signal has adjustable acceleration and deceleration settings. An external digital input provides an on-the-fly setting of maximum output current. Input profiling can also be adjusted with an external analog or digital input. This feature allows for more precise control of the actuator at either end of the control range. Configurations for two position or three position signals are available. The valve outputs have settable threshold and maximum current parameters. An auxiliary digital output is also available. Danfoss WebGPI™ interface software provides communication to the microcontroller and access to all setup variables. Customer defined parameter default values are also possible. Contact the factory for details.

Features

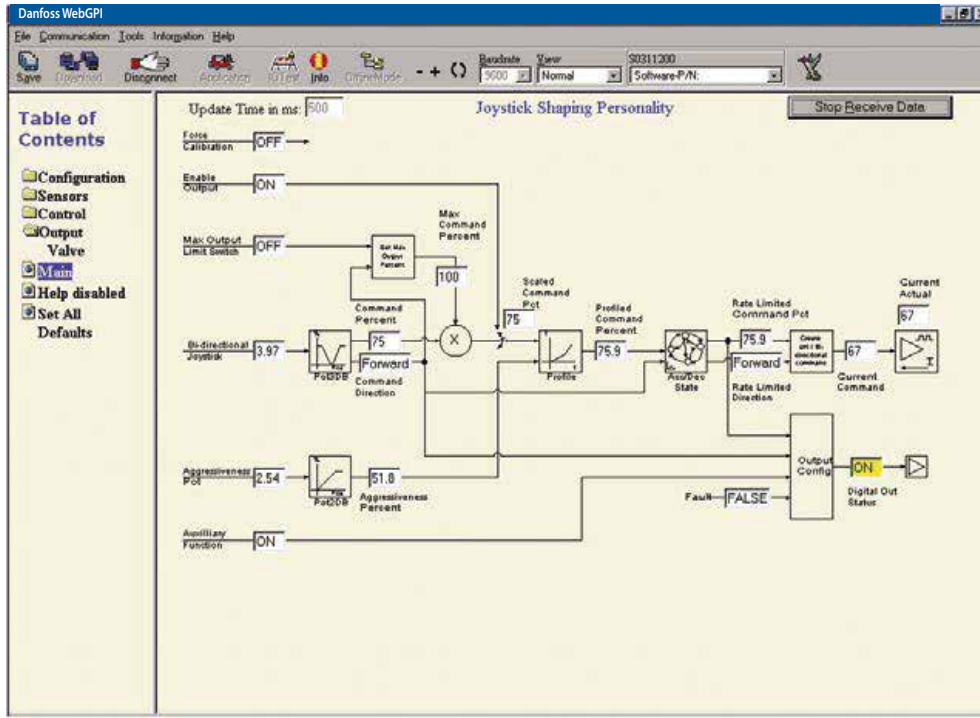
- Programmable valve driver
- Adjustable acceleration and deceleration rates (up to 32 seconds)
- Input profiling with on-the-fly adjustability
- Scalable maximum output

Also included are Danfoss personality standard features such as:

- Adjustable error detection
- Fault code reporting
- On-line documentation
- Data-logging with WebGPI™ interface

Rugged hardware:

- 9 to 32 Vdc operation
- Environmentally sealed connector
- Rugged die cast housing
- Protected from shock, vibration, EMI
- RFI, high pressure washdown, temperature and humidity extremes
- Compact footprint (3.44" W × 4.6" L × 2.04" D)



WebGPI™ Main Screen

Inputs

- Command (analog)
- Aggressiveness (analog or digital/optional)
- Max output setting (digital/optional)
- Output enable (digital)
- Force calibration (digital/optional)

Outputs

- Valve 1 FWD
- Valve 2 REV
- On/off (optional)

Optional configuration

- Uni-directional or bi-directional analog command
- External analog or digital aggressiveness adjustment
- Output PWM frequency 80 to 200 Hz

Ordering information:

Models

- 1090875 100 mA EDC outputs
- 1090876 240 mA EDC outputs
- 1090877 2 A proportional valve outputs
- 1090878 2.5 A proportional valve outputs

Related Products:

- SX mating connector: K23334
- WebGPI™ interface software: 1090381
- SX joystick shaping setup files CD: 1090521
- 3 pin Packard to DB9 programming cable: KW02025
- Metri-Pack mating connector crimp tool: 12085271 (from Packard Electric)

Consult factory for other current range requirements. See BLN-95-9067 for specific hardware information.

Software Number

S0311XXX

Danfoss Power Solutions US Company
 2800 East 13th Street
 Ames, IA 50010, USA
 Phone: +1 515 239 6000

Danfoss Power Solutions GmbH & Co. OHG
 Krokamp 35
 D-24539 Neumünster, Germany
 Phone: +49 4321 871 0

Danfoss Power Solutions ApS
 Nordborgvej 81
 DK-6430 Nordborg, Denmark
 Phone: +45 7488 2222

Danfoss Power Solutions
 22F, Block C, Yishan Rd
 Shanghai 200233, China
 Phone: +86 21 3418 5200

Danfoss can accept no responsibility for possible errors in catalogues, brochures and other printed material. Danfoss reserves the right to alter its products without notice. This also applies to products already on order provided that such alterations can be made without subsequent changes being necessary in specifications already agreed. All trademarks in this material are property of the respective companies. Danfoss and the Danfoss logotype are trademarks of Danfoss A/S. All rights reserved.