

Data Sheet

引领未来趋势 EMD速度传感器

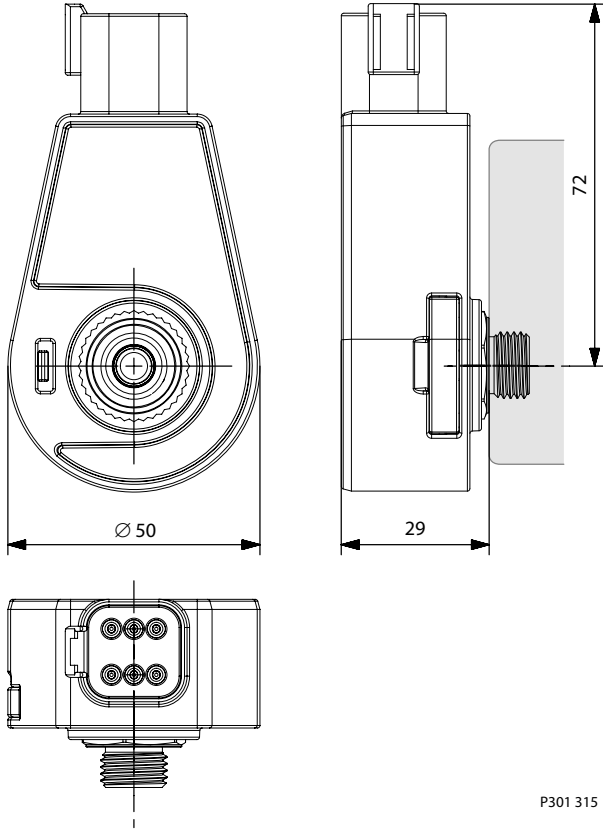


摆线马达专用速度传感器：

- :
OMM, OMP, OMR, OMS, OMT, OMV, TMK,
TMT TMV
-
-
-
-
-
-
-
- IP 69K

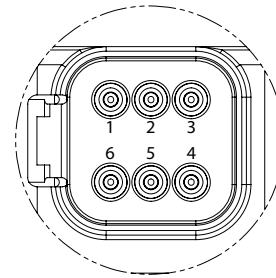
特点：

- 180 /
- PLUS+1™
-
- 2000 rpm
-
- CAN
-
- Deutsch DT - 6



1	9-36 V dc
2	
3	D 1
4	CAN L
5	CAN H
6	D 2

Deutsch DT - 6



*			D1	D2
		180 / : high, : low		
		90 / 90°	A	B
	CAN	CAN 2.0B SAE J1939 : 250 kbaud () : ± 2000 rpm		
		0 - 2000 rpm		
		9 - 36 Vdc		
		0.8 W		
		-30 °C to 60 °C		
EMC-Immunity (EMI):		100 V/m ISO 13766		
**		IP 69 K		
		30 G (294 m/s ²)		
		50 G (490 m/s ²)		

* PLUS+1®
** IEC529



EMD

EMD

EMD

()

1000 , 22

:201206

:021-3418 5200

:021-6495 2622