

Data Sheet

Directional control valve

CDS 100

For more than 40 years, Danfoss has been developing state-of-the-art components and systems for mobile machinery used in off-highway applications around the world. We have become a preferred supplier by delivering know how in motion™.

The CDS Directional Control Valve range provides optimized valve solutions. It is designed for quality, reliability, offers flexibility and greater efficiency versus the competition. Metered spools, low leakage rates and extensive auxiliary options provide accurate, precise control in demanding applications.

All CDS electrical control options are PLUS+1® Compliant. PLUS+1® allows you to rapidly develop and customize electronic machine control.

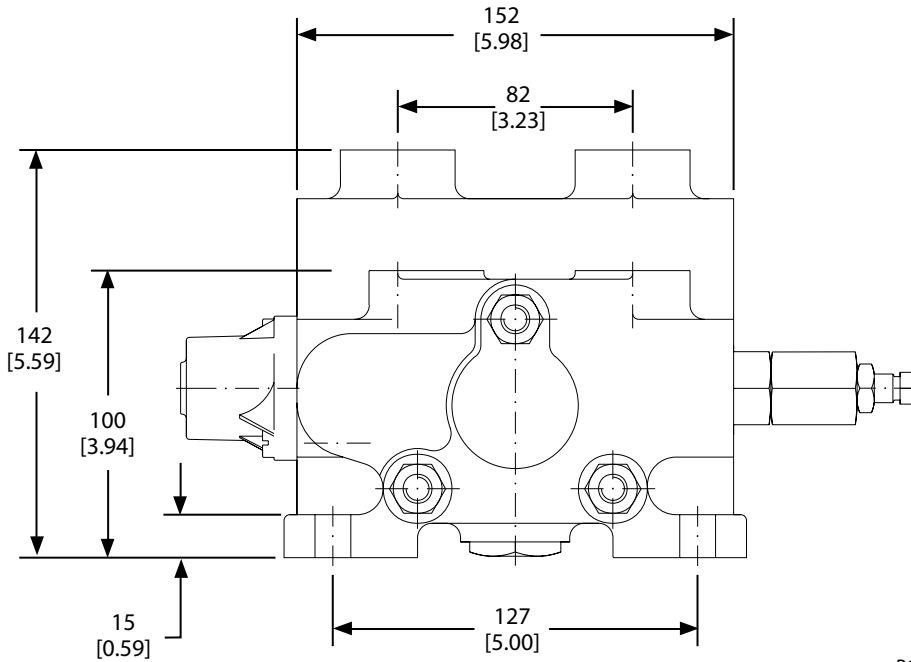
Features

- 210 Bar [3000 psi] 100 l/min [26.4 US gal/min]
- 40 Bar [580 psi] maximum tank pressure
- 1 to 12 work sections per valve group
- Parallel/tandem
- SAE/BSP/Metric thread porting
- Priority flow control inlet
- Mid-inlet
- Float position options
- Work port relief/anti-cav./metering/load-holding
- 12/24V_{DC} on-off solenoid pilot operator
- Mechanical joystick operator
- Remote lever and cable operator
- Hydraulic/pneumatic operator
- Power beyond/pressure bypass



Comprehensive technical literature online
at powersolutions.danfoss.com

Dimensions



P101820

Specifications

Maximum flow	100 l/min [26.4 US gal/min]
Work pressure	210 bar [3050 psi]
Maximum pressure	250 bar [3625 psi]
Maximum pressure (outlet section)	40 bar [580 psi]
Temperature range	-40° to 80 °C [-40 to 176 °F]
Recommended fluid type	Mineral based hydraulic oil
Recommended viscosity	26-55 mm ² /sec (cSt) [123-255 SUS]
Minimum fluid cleanliness (per ISO 4406)	19/16

Danfoss can accept no responsibility for possible errors in catalogues, brochures and other printed material. Danfoss reserves the right to alter its products without notice. This also applies to products already on order provided that such alterations can be made without changes being necessary in specifications already agreed. All trademarks in this material are property of the respective companies. Danfoss and the Danfoss logotype are trademarks of Danfoss A/S. All rights reserved.