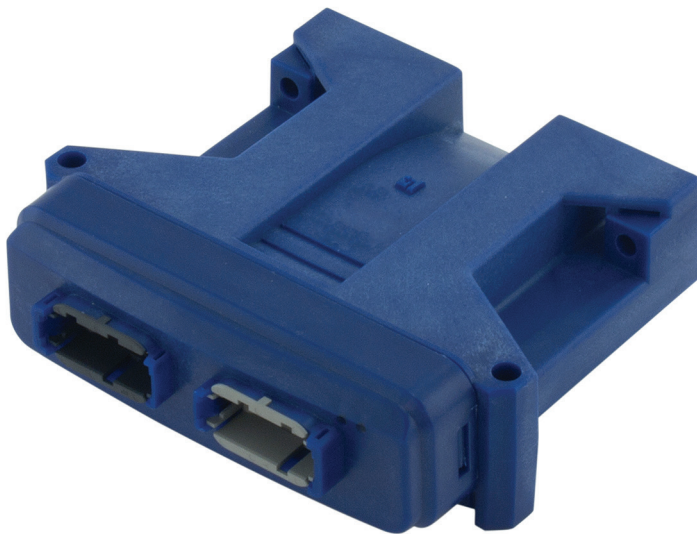




## Data Sheet

# PLUS+1<sup>®</sup> Controller

## SC024-010 and SC024-012

**Advanced mobile machine management**

These PLUS+1<sup>®</sup> controllers are advanced elements of the PLUS+1<sup>®</sup> family of mobile machine management products. The design of this general purpose controller includes features required for sophisticated machine control strategies. It is equally suited for use in safety related or general machine control applications.

**Product highlights**

These controllers are pin compatible with the PLUS+1<sup>®</sup> MC equivalent controller. These controllers have dual micro controllers with the secondary having access to all controller inputs and supervisory control of outputs. These controllers support smart digital inputs. Current measurement capability has been added to some multifunction inputs. Device outputs can be individually controlled by the secondary processor. These controllers support low power capability.

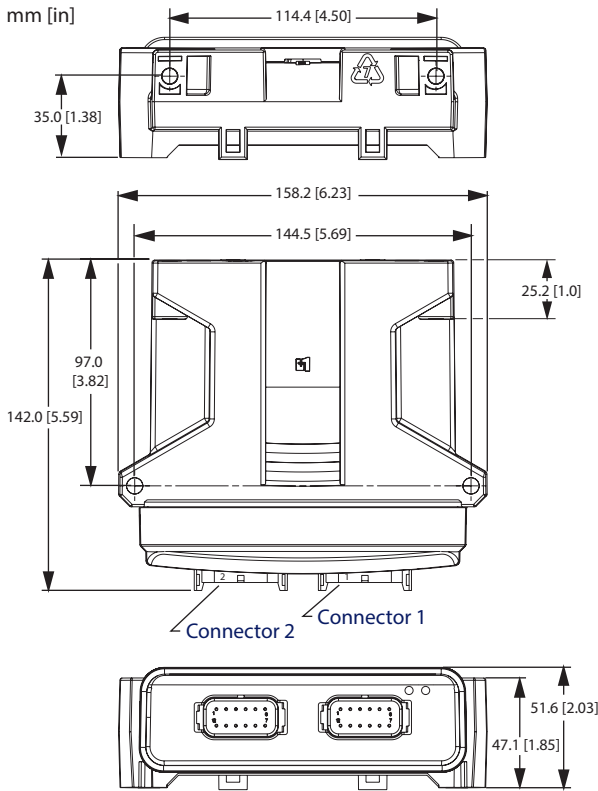
**Application development**

These controllers have an application key that enables the use of Danfoss developed GUIDE machine control solutions. The same Guide HWD file is used with both controllers. The user can develop these controllers' applications using either the PLUS+1<sup>®</sup> GUIDE development environment or C-code. Application code can be written in both the primary and secondary micro processors.

**Features**

- Programmable in PLUS+1<sup>®</sup> GUIDE
- Same general I/O content as the PLUS+1<sup>®</sup> MC024-010 controller
- Dual processors:
  - Primary: 512kB flash, 128kB RAM
  - Secondary: 128kB flash, 64kB RAM
  - Internal micro to micro UART
- 12 bit analog to digital converter
- 7 to 36 Vdc power supply, monitored internally
- (14) user-defined inputs
  - (6) Digital/Analog/Resistance/4-20 mA current
  - (5) Digital/Analog /Frequency
  - (1) Digital/Analog /CAN shield
  - (1) Digital/Analog/1.6 Vdc sensor power (for smart digital input capability)
  - (1) Digital/Analog/3.3 Vdc sensor power (for smart digital input capability)
- (4) user-defined 3A PWM outputs (PWMOUT/CrntOUT/DOOUT/PVGOUT)
  - Digital: Configurable as source or sink
  - PWM: (30 to 4000 Hz or 20 kHz) configurable as open or closed loop with current control
  - Any PWMOUT/CrntOUT/DOOUT/PVGOUT can be used to provide reference power to one PVG valve
- Each PWM output may have a unique frequency
- (1) CAN 2.0B ports, the shield pin can be configured as a DIN/AIN
- User-defined 3 to 12 Vdc regulated power supply for external sensors
- (2) LEDs under user control
  - Both have alternate yellow color under kernel control to indicate low-level software/hardware failures
- Power supply for external sensors rated at 5 Vdc to 500 mA
- Operating temperature range: -40° C to +85° C
- EMC rating is 150 V/m

Mounting dimensions and pin assignments



2195B

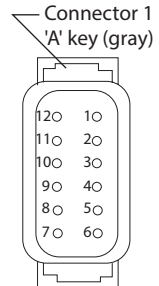
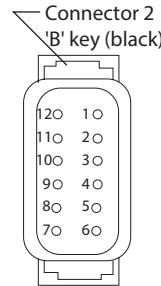
Pin connector

Connector 2

| Pin    | Controller function       |
|--------|---------------------------|
| C2-P1  | DIN/AIN/ResIN/CrntIN      |
| C2-P2  | DIN/AIN/FreqIN            |
| C2-P3  | DIN/AIN/FreqIN            |
| C2-P4  | DIN/AIN/FreqIN            |
| C2-P5  | DIN/AIN/FreqIN            |
| C2-P6  | DIN/AIN/FreqIN            |
| C2-P7  | DIN/AIN/ResIN/CrntIN      |
| C2-P8  | DIN/AIN/ResIN/CrntIN      |
| C2-P9  | PWMOUT/CrntOUT/DOU/PVGOUT |
| C2-P10 | PWMOUT/CrntOUT/DOU/PVGOUT |
| C2-P11 | PWMOUT/CrntOUT/DOU/PVGOUT |
| C2-P12 | PWMOUT/CrntOUT/DOU/PVGOUT |

Connector 1

| Pin    | Controller function       |
|--------|---------------------------|
| C1-P1  | Power ground -            |
| C1-P2  | Power supply +            |
| C1-P3  | CAN0 +                    |
| C1-P4  | CAN0 -                    |
| C1-P5  | DIN/AIN/CAN shield        |
| C1-P6  | DIN/AIN/SnsrPwr1.6Vdc     |
| C1-P7  | DIN/AIN/SnsrPwr3.3Vdc     |
| C1-P8  | 3-12 Vdc SnsrPwr +        |
| C1-P9  | SnsrPwr - (sensor ground) |
| C1-P10 | DIN/AIN/ResIN/CrntIN      |
| C1-P11 | DIN/AIN/ResIN/CrntIN      |
| C1-P12 | DIN/AIN/ResIN/CrntIN      |



2196B

**Caution**

This device is not field serviceable. Opening the device housing will void the warranty.

Use care when wiring mating connector. Above pinouts are for device pins.

Specifications

Product parameters

|  |                                    |
|--|------------------------------------|
| Supply voltage                             | 7 to 36 Vdc                        |
| Operating temperature (ambient)            | -40° C to 85° C [-40° F to 185° F] |
| Storage temperature                        | -40° C to 85° C [-40° F to 185° F] |
| Programming temperature                    | -40° C to 85° C [-40° F to 185° F] |
| IP rating (with mating connector attached) | IP 67                              |
| EMI/RFI rating                             | 150 V/M                            |
| Weight                                     | 0.40 kg [0.88 lb]                  |
| Vibration                                  | IEC 60068-2-64                     |
| Shock                                      | IEC 60068-2-27 test Ea             |
| Maximum current, sourcing                  | 8 A                                |
| Maximum current, sinking                   | 8 A                                |

**Danfoss Power Solutions (US) Company**  
2800 East 13th Street  
Ames, IA 50010, USA  
Phone: +1 515 239 6000

**Danfoss Power Solutions GmbH & Co. OHG**  
Krokamp 35  
D-24539 Neumünster, Germany  
Phone: +49 4321 871 0

Product part number

|           |          |
|-----------|----------|
| SC024-010 | 11099061 |
| SC024-012 | 11103247 |

Related products part numbers

|                                       |                         |
|---------------------------------------|-------------------------|
| CG150 CAN/USB Gateway                 | 10104136                |
| DEUTSCH mating connector bag assembly | 10102023 (16 to 20 AWG) |
| PLUS+1® GUIDE single user license     | 10101000                |

Danfoss comprehensive technical information is on line at: [www.danfoss.com](http://www.danfoss.com)

**Danfoss Power Solutions Trading (Shanghai) Co. Ltd.**  
Building #22, No. 1000 Jin Hai Rd  
Jin Qiao, Pudong New District  
Shanghai, China 201206  
Phone: +86 21 3418 5200

Danfoss can accept no responsibility for possible errors in catalogues, brochures and other printed material. Danfoss reserves the right to alter its products without notice. This also applies to products already on order provided that such alterations can be made without changes being necessary in specifications already agreed. All trademarks in this material are property of the respective companies. Danfoss and the Danfoss logotype are trademarks of Danfoss A/S. All rights reserved.