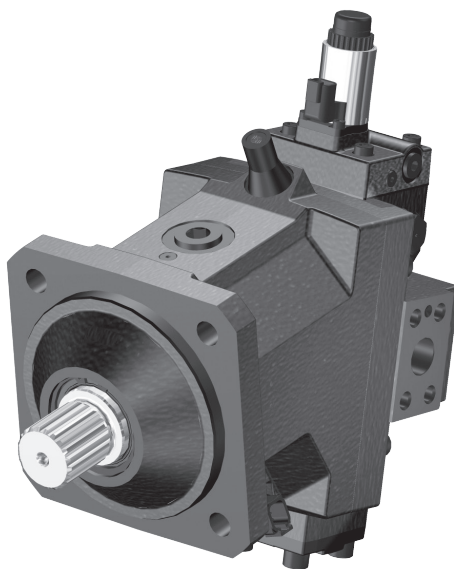


Data Sheet

H1-The new Generation of Hydrostatics

160 cm³ Bent Axis Variable Motor



For more than 40 years, Danfoss has been developing state-of-the-art components and systems for mobile machinery used in off-highway operations around the world.

We have become a preferred supplier by offering the best of what really matters: The hardware inside your vehicle application.

H1 - our new generation of servo-controlled hydrostatic pumps and bent axis variable motors is no exception.

The H1 product is built around an advanced control and available in a wide range of displacements. It is designed for quality and reliability and offers expanded functionality, greater total efficiency, and easy installation.

All H1 control and sensor options are PLUS+1[®] Compliant. PLUS+1[®] allows you to rapidly develop and customize electronic machine control. It opens up the future by combining machine controls and diagnostics in an integrated operating network.

Features

- **Designed for quality and reliability**
 - Proven and optimized 9 piston rotating group
 - Single piece housing
 - Electric components with IP67 & IP69K rating
- **Installation and packaging benefits**
 - Optimized for shortest length
 - Standardized connector interface
 - Integrated loop flushing device
 - Radial or axial high pressure ports
- **Wide range of controls**
 - Electric Two-position Control
 - Electric Proportional Control
 - Hydraulic Two-position Control
 - Hydraulic Proportional Control
 - Pressure Compensator Override
 - Proportional Pressure Compensator Override
 - Brake Pressure Defeat option
- **Common controls across the entire motor family**
 - PLUS+1[®] Compliant control and sensor options
- **Expanded functionality**
 - Zero degree capability together with a high performance 32 degree maximum angle
 - Enhanced control functions with proportional controls de-energized at minimum or maximum displacement
 - Optional integrated speed sensor with
 - Dual redundant speed sensing
 - Direction indication
 - Temperature sensing
 - Wire fault detection
- **Greater total efficiency**
 - Minimized losses
 - Improved at high flow conditions

Technical Specifications

Physical Properties

Features	Units	Size 160
Displacement	cm ³ [in ³]	160 [9.76]
Weight (with Electric Proportional Control)		
SAE ISO 3019/1	kg [lb]	61.9 [136]
DIN ISO 3019/2		59.3 [131]
Cartridge		54.7 [121]

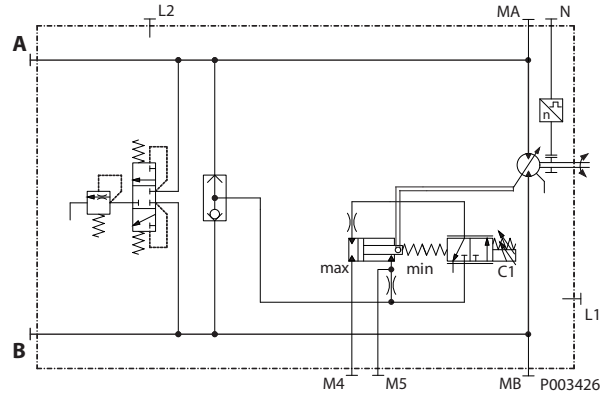
Operating Parameters

Output Speed min-1 [rpm]	Rated	at max. displacement	2600
		at min. displacement (6°)	4250
		at 0° displacement	4750
Maximum	at max. displacement	3300	
	at min. displacement (6°)	5250	
	at 0° displacement	5750	
System Pressure bar [psi]	Working	450 [6527]	
	Maximum	480 [6960]	
	Min. low loop	7.5 [109]	
Case Pressure bar [psi]	Rated	3 [44]	
	Maximum	5 [73]	
	Minimum	0.3 [4]	

Schematic (example)

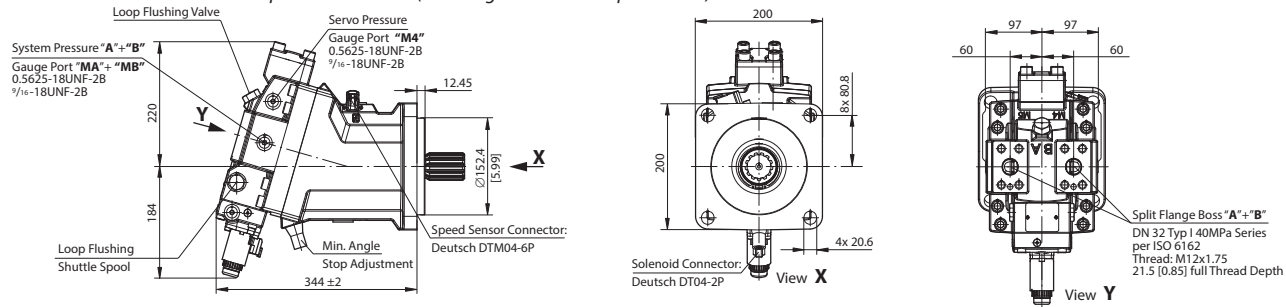
Electric Proportional Control

(de-energized = max. displacement)

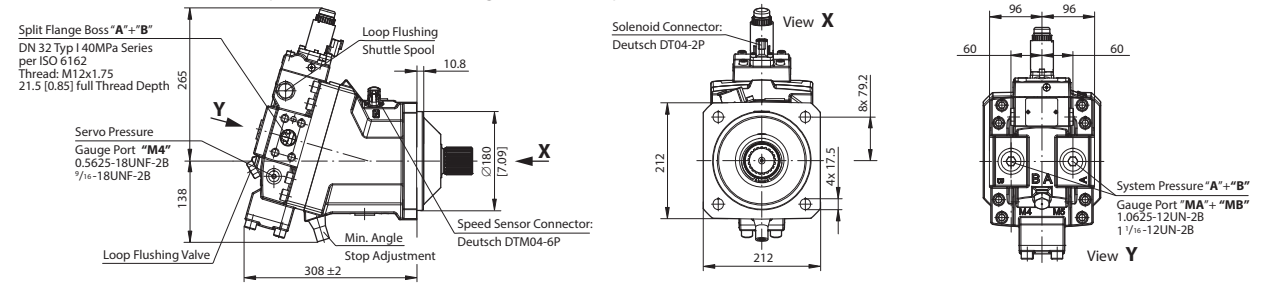


Installation Drawings

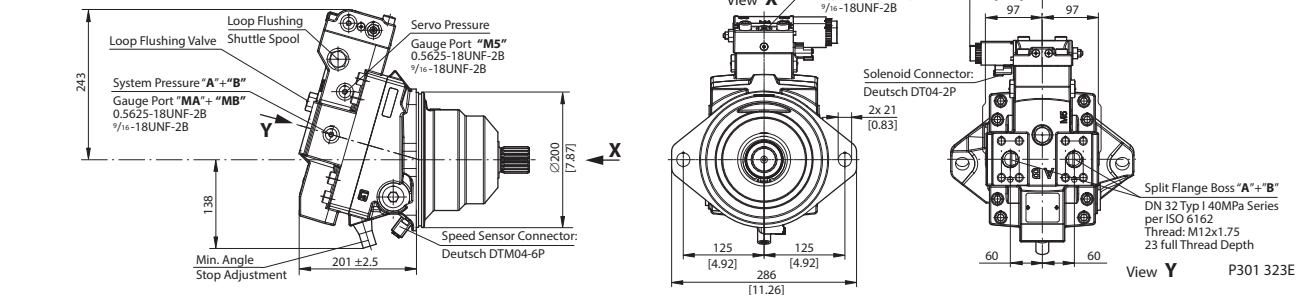
SAE ISO 3019/1 with Electric Proportional Control (de-energized = max. displacement)



DIN ISO 3019/2 with Electric Proportional Control (de-energized = min. displacement)



Cartridge with Electric Two-Position Control (de-energized = min. displacement)
Pressure Compensator Override, Brake Pressure Defeat



Danfoss Power Solutions (US) Company
2800 East 13th Street
Ames, IA 50010, USA
Phone: +1 515 239 6000

Danfoss Power Solutions GmbH & Co. OHG
Krokamp 35
D-24539 Neumünster, Germany
Phone: +49 4321 871 0

Danfoss Power Solutions ApS
Nordborgvej 81
DK-6430 Nordborg, Denmark
Phone: +45 7488 2222

Danfoss Power Solutions Trading (Shanghai) Co., Ltd.
Building #22, No. 1000 Jin Hai Rd
Jin Qiao, Pudong New District
Shanghai, China 201206
Phone: +86 21 3418 5200