

Data Sheet

Joystick

JS1 Heavy Duty Joysticks



Mobile Machine Management

The JS1 Heavy Duty Joysticks (JS1-H) portfolio is a modular joystick design that allows complete grip and base configuration for efficient control of any machine. The heavy duty design will result in extended life for years of reliable operation.

Five different heavy duty grips can be paired with the JS1-H base to offer the operator complete comfort. Each of the grips can be configured with a comprehensive portfolio of finger functions for true customization.

The JS1-H base incorporates proven Danfoss design elements and builds on the PLUS+1® architecture. Several options are available for the electrical and mechanical output so the joystick can be tailored for a positive human machine interaction. The JS1-H base is designed to be dependable and reliable for the extreme and harsh conditions of the mobile machine environment.



Features

- Hall effect with two sensors per axis or long life potentiometer position sensing
- Simultaneous operation of two proportional rollers
- Operator Presence switch
- CAN+
- Analog Category 1
- Analog Category 3
- PWM (programmable)

Options

Axis

- Dual Axis Spring Return
- Single Axis Spring Return
- Single Axis with Friction
- Dual Axis with one axis Spring, one axis Friction

Output options

- CAN J1939
- CANopen
- PVE
- CANalog

Ergonomic grip

- Right hand
- Left hand
- Ambidextrous (used with either the left or right hand)

On axis shaft, deflection

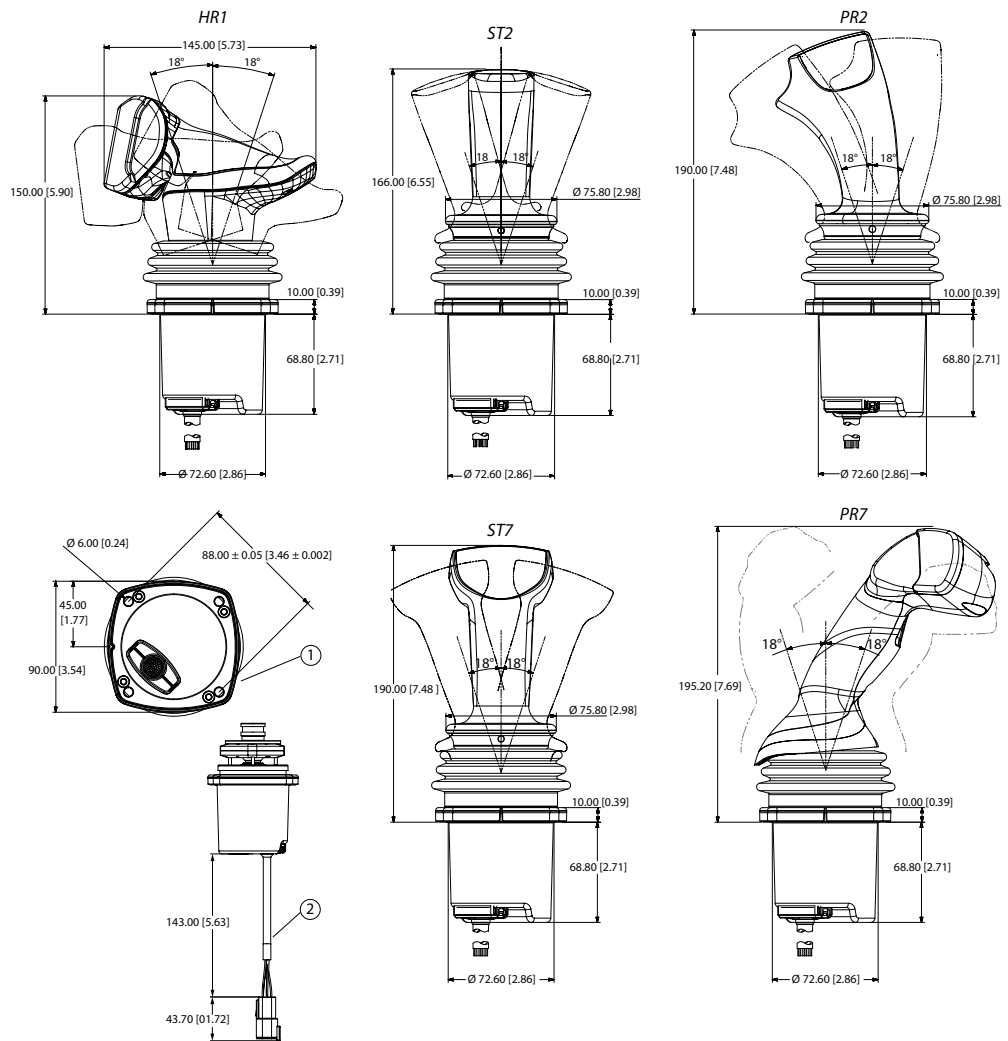
- $\pm 18^\circ$

JS1-H grips

- HR1
- ST2
- ST7
- PR2
- PR7

Comprehensive technical literature is online at www.danfoss.com

Data Sheet
JS1 Heavy Duty Joysticks



Dimensions in millimeters [inches]

1. Bottom view
2. Cable harness (included) based on specific options, see *JS1 Heavy Duty Joysticks Technical Information*, **BC00000347**

Spring return, base only

Breakout load on axis	
Standard duty spring: 6 to 8.5 N (3.37 to 5.71 lbf)	Heavy duty spring: 12 to 19 N (2.698 to 4.271 lbf)

Friction hold, base only

Friction level		Friction	Center detent
A	Low friction-Low detent	0.8 Nm	1.5 Nm
B	Low friction-High detent	0.8 Nm	2.0 Nm
C	High friction-High detent	1.6 Nm	3.0 Nm

Friction hold/Spring return, base only

	Friction level	Spring type
E	A	Standard
J	A	Heavy

Mechanical characteristics

Shaft mechanical angle limits	± 18°
Base mechanical life	Single axis with friction = 1 million full operating cycles
	Single axis and dual axis with spring return = 2.0 million full operating cycles
	Dual axis with spring in one axis, friction in one axis = 1 million full operating cycles
Maximum force on handle	1000 N
Maximum torque	15 Nm
Base only mass	0.75 kg (1.65 lbf)
Weight (base without grip)	725 G (1.8 lb)
Vertical maximum load	2500 N (560 lbs)

Electrical—PVE (Standard and Extended) characteristics

Supply voltages	U_{DC}	9 to 36 V _{DC}
Maximum current consumption		8 A
Current consumption, no load		150 mA
Maximum load for push buttons and directional switches for all proportional functions		0.6 A
Neutral position switch		3 A
Sensor type		Hall effect with redundant sensors
		Potentiometer
Signal voltage U_s	Minimum to maximum	0.25 to 0.75
	Neutral position	0.50
Signal load in neutral position	Load type	PVE
	Load impedance	>6 kΩ
Signal current at maximum movement	U_{DC} = 12 V	6 kΩ
		± 0.6 mA
	U_{DC} = 24 V	± 1.2 mA
Signal current in neutral position	U_{DC} = 12 V	± 0.4 mA
		± 0.8 mA
	U_{DC} = 24 V	± 0 mA
Inverter	Non inverted	Output signal = U _s
	Inverted	Output signal = -1 x (U _s - 0.5 x U ₊) + 0.5 x U ₊

Electrical—PVE (Extended only) characteristics

Signal regulation U_s	U_s Minimum (50%)	0.37 to 0.63 at 100% movement
	U₊ Maximum (200%)	0.25 to 0.75 at 50% movement
Dead band compensation	U_s Minimum	0.00
	U₊ Maximum	0.06

Electrical—Analog Cat 1, Cat 3 characteristics

Sensor type	Hall effect with redundant sensors
Supply voltage (Vs)	4.5 to 5.5 V _{DC}
Output	10 to 90% of input voltage
Output impedance	1 mA max output current at 200 Ohm output impedance
Digital outputs	V _s -0.3 V _{DC} , maximum current 100 mA



Electrical—CAN, CAN+, and CANalog characteristics

Sensor type	Hall effect with redundant sensors
	Potentiometer
Resolution	12 bit
Supply voltage (V_s)	9 to 36 V _{DC}
Output	J1939 and CANopen protocols
Can+ Sensor Power	5.0 V _{DC} +/- 5% at 250 mA
CANalog volt reference	5.0 V _{DC} +/- 5% at 50 mA
Base maximum current consumption	120 mA at 9 V
CANalog analog outputs	0.5 to 4.5 V _{DC} at 1 mA max

Electrical—PWM (programmable) characteristics

Sensor type	Hall effect with redundant sensors
	Potentiometer
Resolution	12 bit
Supply voltage (Vs)	9 to 36 Vdc
Current consumption, no load	120 mA
Maximum current consumption	15 A
Outputs (3 amps)	PWM(4)
	Digital(2)

Environmental characteristics

Operating temperature	CAN, CANalog, CAN+, Analog Cat1, Analog Cat3, PWM	-30° C to 80° C (-22° F to 176° F)
	PVE	-30° C to 70° C (-22° F to 158° F)
Storage temperature	-40° C to 85° C (-40° F to 185° F)	
EMI/RFI rating	150 V/m	
Vibration	25 G, 10 ms, 500 bumps in each of 6 directions IEC 60068-2-29 test Eb	
Shock	50 G, 11 ms, 3 shocks in each of 6 directions IEC 60068-2-29 test Ea	
Ingress Protection (IP) rating	Up to IP 66 (dependent on grip sealing selected)	

JS1-H part numbers, refer to: *JS1 Heavy Duty Joystick Family Technical Information*, **BC00000347**.

Danfoss connector bag assemblies part numbers (Must be ordered separately from joystick)

Description	Danfoss part number
One 6 pin DEUTSCH connector	10101551
Two 6 pin DEUTSCH connectors	11177980
Two 12 pin DEUTSCH connectors (GRY/BLK)	10100945
Two 12 pin and One 6 pin DEUTSCH connectors (GRY/BLK)	11176538

Danfoss can accept no responsibility for possible errors in catalogues, brochures and other printed material. Danfoss reserves the right to alter its products without notice. This also applies to products already on order provided that such alterations can be made without subsequent changes being necessary in specifications already agreed. All trademarks in this material are property of the respective companies. Danfoss and the Danfoss logotype are trademarks of Danfoss A/S. All rights reserved.