

## Data Sheet

# Thermostatic sensor RAS-C

### Application



The RAS-C radiator sensors are for use on Danfoss radiator valves in all central and district heating systems.

RAS-C sensors are self-actuating proportional controllers with a small P-band, designed for use in 2-pipe domestic heating systems.

RAS-C sensors are equipped with a snaplock connection, which ensures quick, firm and long lasting mounting onto the valve body, without the use of any tools.

All RAS-C sensors incorporates a Frost Protection Setting.

The RAS-C sensors also provide the option to limit the minimum temperature range.

The RAS-C construction is particularly robust, with both end-stop strength limits and sensor bending force limits being substantially above the requirements of the European Standard EN 215.

### Ordering and specifications

Type	Sensor	Setting Range <sup>1)</sup>	Code no.
RAS-C 5921	Built-in	Room temperature 8 - 21 °C	<b>013G5921</b>
RAS-C 5922	Built-in	Room temperature 8 - 22 °C	<b>013G5922</b>
RAS-C 5923	Built-in	Room temperature 8 - 23 °C	<b>013G5923</b>

<sup>1)</sup> Temperatures stated for  $X_p = 2K$ , i.e. the valve is closed at 2 °C higher room temperature.

### Quality



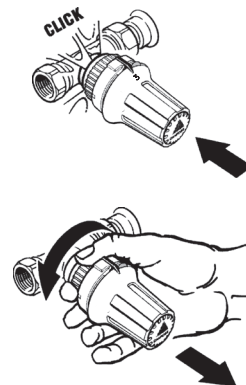
Thermostatic sensors RAS-C are manufactured to the highest standards, and are approved to the European standard EN 215.

027

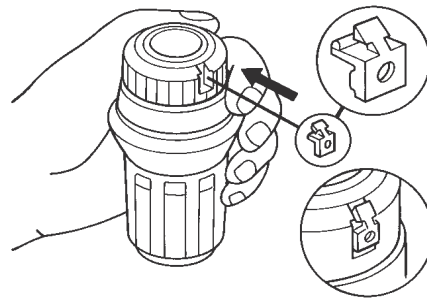
**Mounting**

The Danfoss snaplock connection is easy to mount and requires no use of tools, once the valve cover has been removed. The sensor is fitted to the valve by applying a gentle pressure.

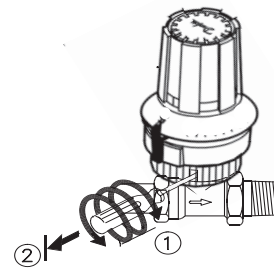
When the sensor is in place, the snaplock connection is activated and the sensor has been correctly mounted. If dismounting and mounting are carried out again, the mechanism must be tightened manually by turning the tightening ring.



**Theft protecton**




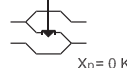
Once the thermostat is mounted on the valve, push in the theft protection device. The thermostat cannot be removed.



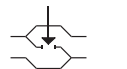
To remove the theft protection use screwdriver 013G1236 and screw into the hole (1). Pulled out until the stop is reached (2). It is now possible to remove the sensor from the valve.  
New Anti-theft plug: 013G5245

**Setting the temperature**





$X_p = 0 \text{ K}$



$X_p = 2 \text{ K}$

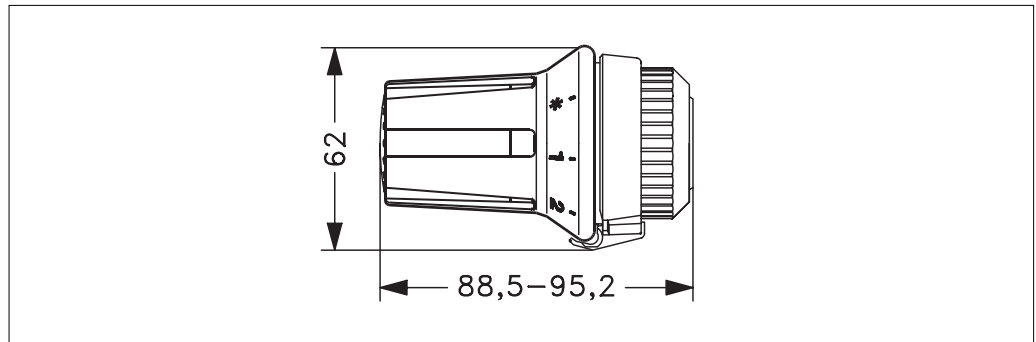
\* = Frost protection setting

	10	14	18	22	°C
0	*	1	2	3	
	8	12	16	20	°C

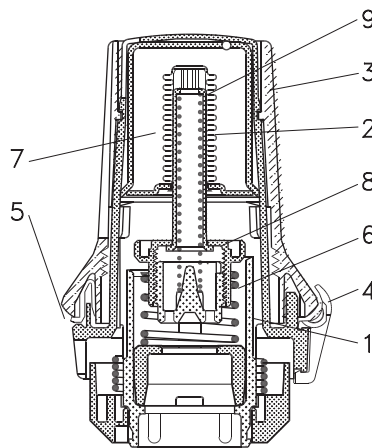
The required room temperature is set by turning the setting dial. The temperature scales show the correlation between scale values and the room temperature. The temperature values stated are for guidance only as the obtained room temperature will often be influenced by installation conditions.

The temperature scales are stated according to European standards at  $X_p = 2^\circ\text{C}$ . This means that the radiator thermostats close at a sensor temperature which is  $2^\circ\text{C}$  higher than stated on the temperature scales.

Dimensions



Design and function



- 1. Socket
- 2. Bellows
- 3. Setting handle
- 4. Setting mark
- 5. Limiter tab
- 6. Reset spring
- 7. Sensormedium
- 8. Spindle
- 9. Spring

Danfoss A/S  
Heating Solutions  
Haarupvaenget 11  
8600 Silkeborg  
Denmark  
Phone: +45 7488 8000  
Fax: +45 7488 8100  
e-mail: [heating.solutions@danfoss.com](mailto:heating.solutions@danfoss.com)  
[www.heating.danfoss.com](http://www.heating.danfoss.com)

---

Danfoss can accept no responsibility for possible errors in catalogues, brochures and other printed material. Danfoss reserves the right to alter its products without notice. This also applies to products already on order provided that such alterations can be made without subsequential changes being necessary in specifications already agreed.  
All trademarks in this material are property of the respective companies. Danfoss and the Danfoss logotype are trademarks of Danfoss A/S. All rights reserved.

---