

Application



AMEK

The built-in function module AMEK is designed for use together with gearmotors AMV 323, 423 and 523. The module incorporates a contact set with two double contacts. The contacts are used for signalling and can be adjusted individually to the whole motor operating range. Three AMEK modules can be mounted in the motor, or one AMEK module can be combined with one of the other three modules: AMEP, AMES or AMER.

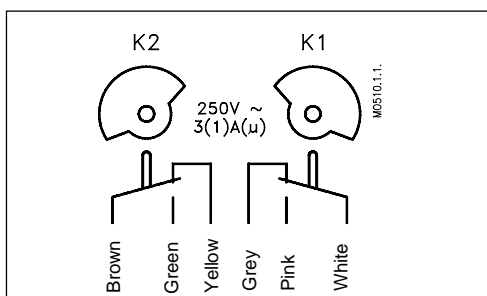
Ordering

Type	Supply voltage	Code no.
AMEK	24 V, 230 V ~	082B3301

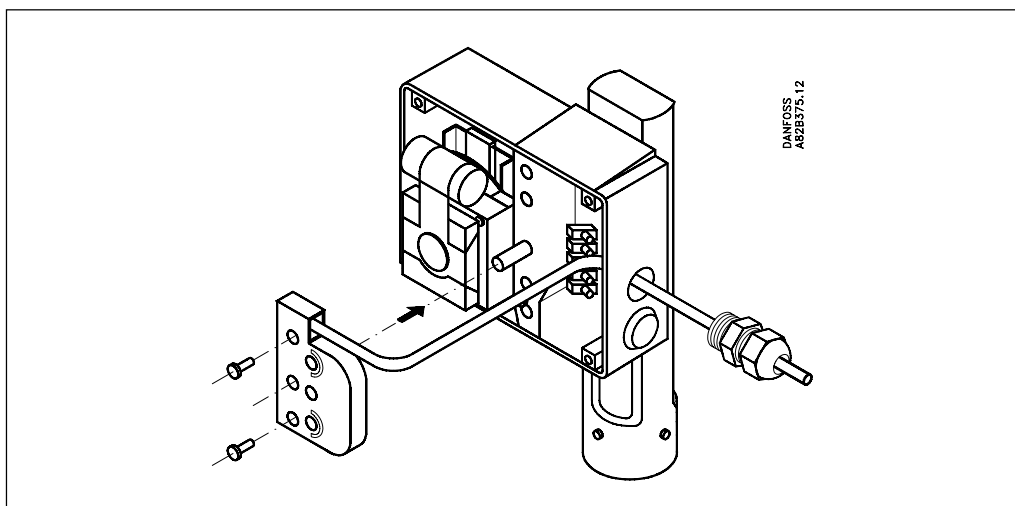
Data

Contact function	2 × SPDT, fully adjustable
Load	Max. 250 V, 3(1) A(μ)
Enclosure	IP 20
Ambient temperature	Min 0 °C, max 50 °C
Transport and storage temperature	Min -40 °C, max 70 °C
Weight	0.2 kg
CE - marking in accordance with the standards	EMC-Directive 89/336/EEC, 92/31/EEC, 93/68/EEC, EN 50081-1 and EN 50082-1 Low Voltage Directive 73/23/EEC and 93/68/EEC

Wiring



Installation



Danfoss can accept no responsibility for possible errors in catalogues, brochures and other printed material. Danfoss reserves the right to alter its products without notice. This also applies to products already on order provided that such alterations can be made without subsequential changes being necessary in specifications already agreed. All trademarks in this material are property of the respective companies. Danfoss and the Danfoss logotype are trademarks of Danfoss A/S. All rights reserved.

