

## Data sheet

# Electrical actuators AMV 323, AMV 423, AMV 523

### Description / Application



When AMV 323, 423 or AMV 523 have a built-in AMES function module for modulating control they can also be used with ECL controllers or similar controls with 0 - 10 V or 0 - 20 mA output signal.

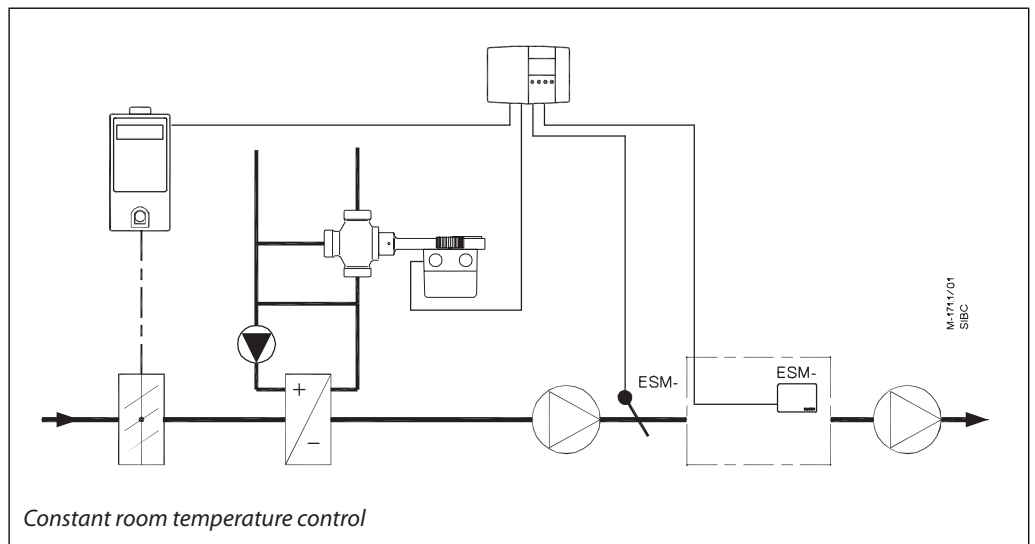
In addition to basic function such as manual control and position indication, the actuators are also equipped with force sensitive switch-off to ensure that actuators and valves are not exposed to overload. This function automatically ensures the self-adjustment of the end positions on the valve.

#### Features

- AMV 323, spindle speed 1 s/mm
- AMV 423, spindle speed 3 s/mm
- AMV 523, spindle speed 11 s/mm
- 230/240 V and 24 V versions
- Spindle travel 0 - 50 mm
- Function extension using function modules:
  - AMEK - additional switch
  - AMER - P or PI controller
  - AMES modulating controller Y = 0 - 10V or 0 - 20 mA.

The actuators AMV 323, 423 and 523 are used with VF2, VF3, VFS2 valves from DN 15 up to DN 100 diameter or VRB3, VRG3 from DN 15 up to DN 50 diameter.

### Application example



**Ordering**
**Actuator**

Type	Supply voltage	Spindle speed	Power output	Code No.
AMV 323	24 V ~	1 s/mm	600 N	<b>082G3320</b>
AMV 323	230 V ~	1 s/mm	600 N	<b>082G3321</b>
AMV 423	24 V ~	3 s/mm	1.200 N	<b>082G3420</b>
AMV 423	230 V ~	3 s/mm	1.200 N	<b>082G3421</b>
AMV 523	24 V ~	11 s/mm	1.200 N	<b>082G3520</b>
AMV 523	230 V ~	11 s/mm	1.200 N	<b>082G3521</b>

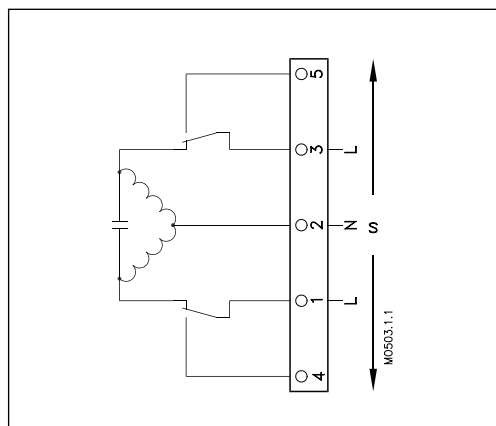
**Built-in function modules**

Type	Supply voltage	Potentiometer	Code No.
AMEK	24 V, 230 V ~	2 × switch	<b>082B3301</b>
AMES	24 V ~	modulating controller Y = 0 - 10 V (0 - 20 mA)	<b>082B3328</b>
AMES	230 V ~		<b>082B3329</b>
AMER	24 V ~	P or PI controller	<b>082B3318</b>
AMER	230 V ~		<b>082B3319</b>

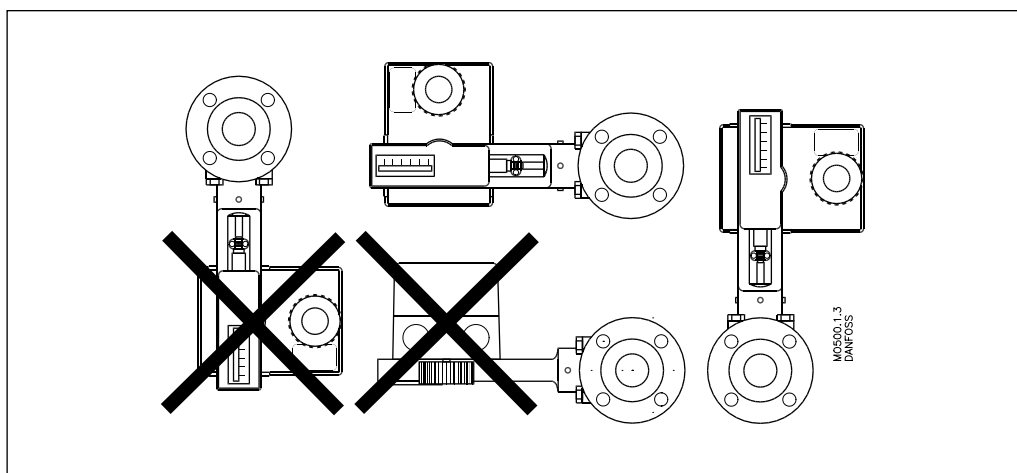
Note: Further information appear from separate data sheets.

**Technical data**

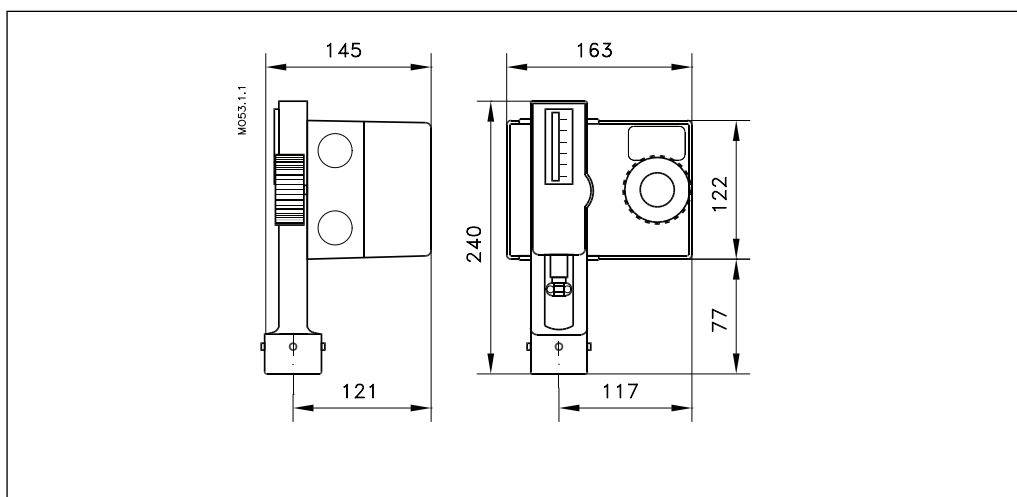
Supply voltage	24V~ ± 10% 230/240 V~ +6%/−10%
Frequency	50 Hz/60 Hz
Power consumption	24V~: 12 VA 230/240 V~: 12 VA
Control	3-point (0 - 10V with AMES)
Power output	AMV 323: 600 N
	AMV 423: 1.200 N
	AMV 523: 1.200 N
Nominal spindle travel	0 - 50 mm
Spindle speed	AMV 323: 1 s/mm (50 Hz); 0.85 s/mm (60 Hz)
	AMV 423: 3 s/mm (50 Hz); 2.55 s/mm (60 Hz)
	AMV 523: 11 s/mm (50 Hz); 9.25 s/mm (60 Hz)
Enclosure	IP 55
Cable entries	2 Pg 9, 2 Pg 13.5
Ambient temperature	0 to 50 °C
Storage and transport temperatures	-40 to +70 °C
Weight	3.3 kg
marking in accordance with the standards	EMC-Directive 89/336/EEC, 92/31/EEC, 93/68/EEC, EN 50081-1 and EN 50082-1 Low Voltage Directive 73/23/EEC and 93/68/EEC, EN 60730/2/14

**Wiring**


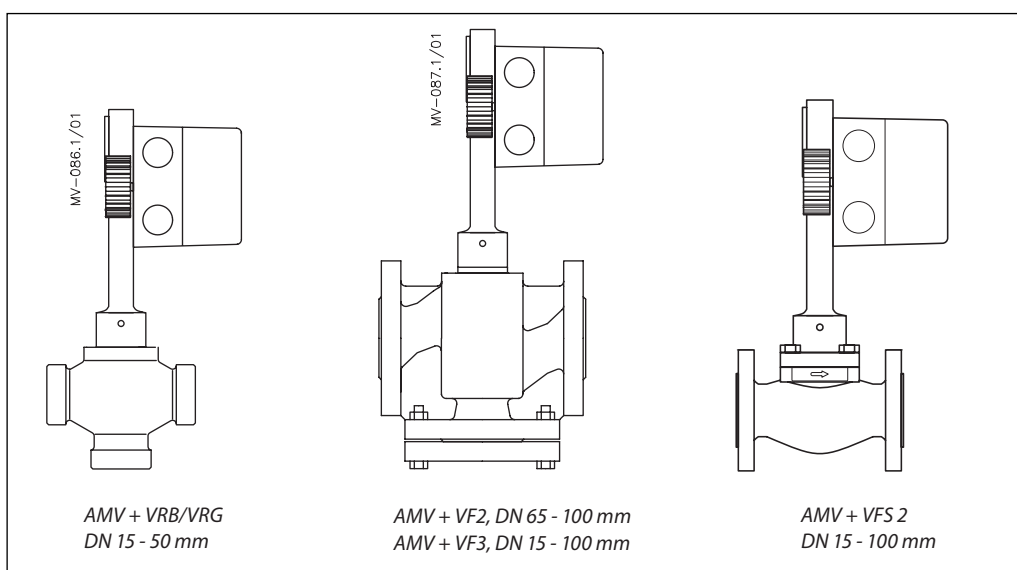
Installation



Dimensions



Actuator - valve combinations



---

Danfoss can accept no responsibility for possible errors in catalogues, brochures and other printed material. Danfoss reserves the right to alter its products without notice. This also applies to products already on order provided that such alterations can be made without subsequential changes being necessary in specifications already agreed. All trademarks in this material are property of the respective companies. Danfoss and the Danfoss logotype are trademarks of Danfoss A/S. All rights reserved.

---

