



The TWA-Z actuator is a 24V AC or DC normally open (NO) or closed (NC) thermo-hydraulic actuator. Assisting in the installation of the NC actuator is a red split ring, which is removed when the actuator is properly tightened to the AB-QM. During a call for heating or cooling, the internal wax element is heated up allowing the valve to open or close. For ABQM valve sizes 1/2" & 3/4" the TWA-Z actuators can only be used for applications where flow is less than 70% of the valve maximum flow rate, while for 1" & 1-1/4" flow rate has to be less than 55%.

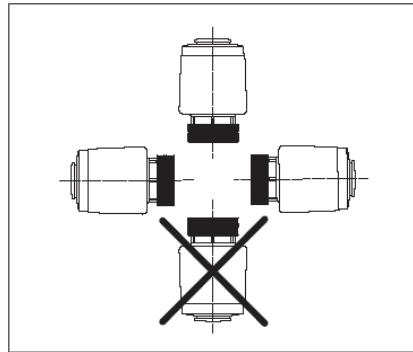
Ordering:

Code No.	Style	Description	Signal
082F1260	TWA-Z	Thermal actuator, Normally closed	ON/OFF, 2-wire
082F1262	TWA-Z	Thermal actuator, Normally open	

Technical Data:

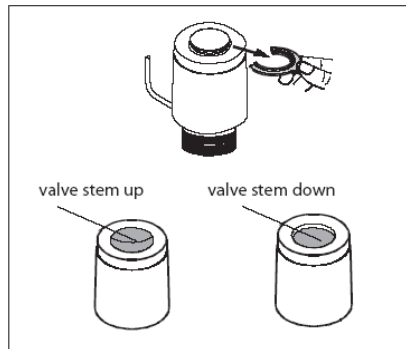
Type	TWA-Z
Power supply	24 V AC/DC
Power consumption	2 VA
Frequency	50 Hz / 60 Hz
Control input	ON/OFF, 2-wire
Close off differential pressure	63 psi (4.3 bar)
Actuator force	20.2 lbf (90N)
Safety return function	Normally open & closed option
Max. stroke	2.8mm
Full stroke time	Approximately 3 minutes
Max. medium temperature	248°F (120°C)
Enclosure rating	NEMA 13 (IP54)
Enclosure rating	IP41
Weight	1.8 lb (0.8 kg)

Installation Orientation:



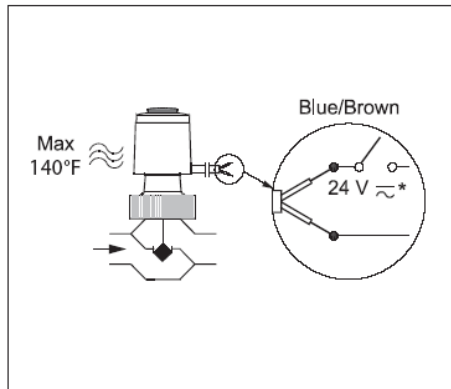
The actuator's orientation should be mounted in either a horizontal or vertically up position. The base ring of the actuator should be tightened by hand.

Valve Position Indicator

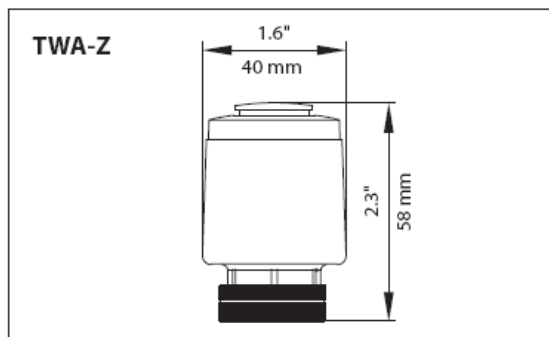


The actuator is equipped with a visual position indicator to show when the actuator position is either open or closed. The inner black cover located on the top of the actuator will project above the white enclosure when the valve is open. When the inner black cover is flush with the white enclosure, the valve stem is down and seat of the valve is closed.

Electrical Wiring:



Dimensions:



Danfoss can accept no responsibility for possible errors in printed materials and reserves the right to alter its products without notice. All trademarks in this material are property of the respective companies. Danfoss and Danfoss logotype are trademarks of Danfoss A/S. All right reserved.



Head Office:
 Danfoss Inc.
 Mississauga, ON CANADA
 Tel: 866-375-4822 Fax: 905.285.2055

USA Office:
 Danfoss Inc.
 Baltimore, MD USA
 Tel: 866-375-4822 Fax: 443.512.0270

www.na.heating.danfoss.com