

Installation Guide

Solenoid Valve

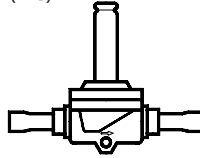
Types EVRH 10 – 22 Normally Closed and Normally Open (NC/NO)

032R9548

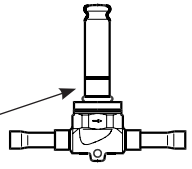
Refrigerants:

R744, R22/R407C, R404A/R507, R410A, R134a, R407A, R23.
For other refrigerants, please contact Danfoss.

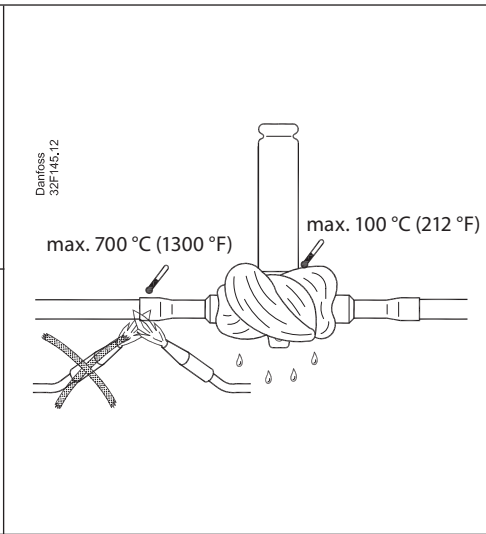
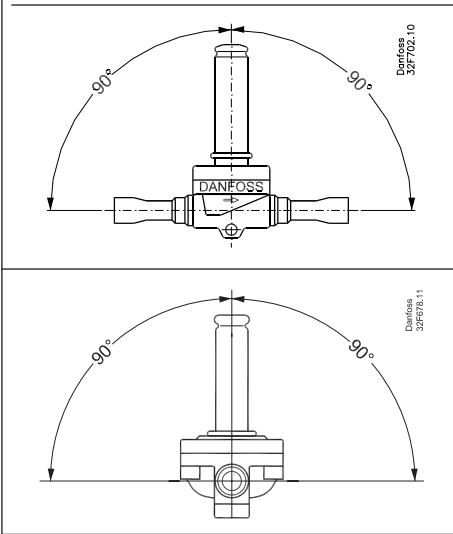
EVRH 10, EVRH 15, EVRH 18, EVRH20, EVRH 22 (NC)



EVRH 10, EVRH 15, EVRH 20, EVRH (NO)

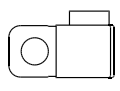


Note: tube construction

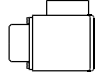


Type	[Nm]	[kpm]	[ft-lbs]	Torx size
EVRH 10	5	0.5	3.6	T30
EVRH 15 – 18	14	1.4	10	T30
EVRH 20 – 22	20	2.0	14	T40

UL approved coils

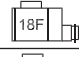

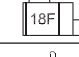



14 W a.c.
 $t_{max} = 122\text{ °F (50 °C)}$



$t_{min} = -40\text{ °F (-40 °C)}$

Data on armature tube
 US data on label

10/12 W a.c.		$t_{max} = 80\text{ °C (175 °F)}$
20 W a.c.		$t_{max} = 50\text{ °C (120 °F)}$
20 W a.c.		$t_{max} = 50\text{ °C (120 °F)}$
		$t_{min} = -40\text{ °C (175 °F)}$

Min. medium temperature	-40 °C (-40 °F)
Max. medium temperature	-105 °C (221°F)
Max. working pressure PS/MWP	45.2 barg / 655 psig
Max. opening diff. pressure MOPD	