

Installation Guide

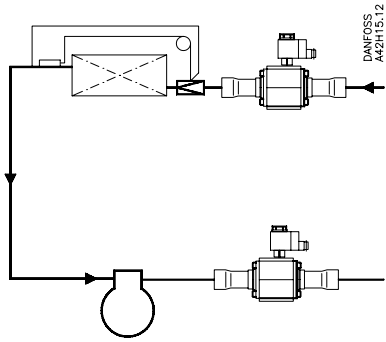
Solenoid Valve

Types EVR 32, EVR 40, EVRA 32, EVRA 40

032R9521

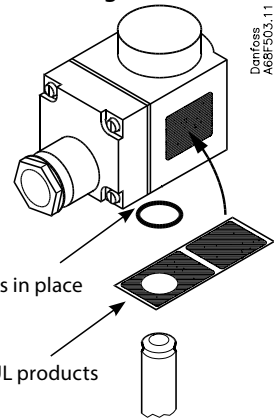
<p>Refrigerants</p> <p>EVR: R22/R407C, R404A/R507, R410A, R134a, R407A, R23.</p> <p>EVRA: R717, R22/R407C, R404A/R507, R410A, R134a, R407A, R23.</p> <p>For other refrigerants, please contact Danfoss.</p>	<p>Max. working pressure: PS / MWP = 28 bar (405 psig)</p> <hr/> <p>Medium temperature: Min. -40 °C (-40 °F) Max. 105 °C (220 °F)</p> <hr/> <p>Max. opening diff. pressure (MOPD):</p> <table border="0"> <tr> <td>EVR 32, EVR 40:</td> <td>10 W a.c. - 21 bar</td> <td>EVRA 32, EVRA 40:</td> <td>10 W a.c. - 21 bar</td> </tr> <tr> <td></td> <td>12 W a.c. - 25 bar</td> <td></td> <td>12 W a.c. - 25 bar</td> </tr> <tr> <td></td> <td>20 W d.c. - 18 bar</td> <td></td> <td>20 W d.c. - 14 bar</td> </tr> </table>	EVR 32, EVR 40:	10 W a.c. - 21 bar	EVRA 32, EVRA 40:	10 W a.c. - 21 bar		12 W a.c. - 25 bar		12 W a.c. - 25 bar		20 W d.c. - 18 bar		20 W d.c. - 14 bar	
EVR 32, EVR 40:	10 W a.c. - 21 bar	EVRA 32, EVRA 40:	10 W a.c. - 21 bar											
	12 W a.c. - 25 bar		12 W a.c. - 25 bar											
	20 W d.c. - 18 bar		20 W d.c. - 14 bar											
<p>EVR 32, EVR 40 EVRA 32, EVRA 40</p>														
<p>Danfoss DENMARK Spare part no. _____ Code no. _____ Volt $V \pm 10\%$ (a.c.) _____ Hz _____ Watt _____ W _____ Hz _____</p>	<p>EVR 32, EVR 40</p>	<p>EVRA 32, EVRA 40</p>												
<p>EVR 32, EVR 40</p> <p>Max. 150 °C (300 °F)</p> <p>Max. 700 °C (1300 °F)</p>	<p>EVRA 32, EVRA 40</p> <p>Max. 150 °C (300 °F)</p>													
<p>Clip-on coil</p> <p>Warning</p> <p>Never switch on power to the coil when the coil is dismounted from the valve. Otherwise the coil may be damaged and there is risk of injuries and burns.</p>	<table border="1" data-bbox="981 1982 1316 2083"> <thead> <tr> <th></th> <th>[Nm]</th> <th>[kpm]</th> <th>[ft-lbs]</th> </tr> </thead> <tbody> <tr> <td>A</td> <td>12</td> <td>1.2</td> <td>9</td> </tr> <tr> <td>B</td> <td>50</td> <td>05.0</td> <td>37</td> </tr> </tbody> </table>			[Nm]	[kpm]	[ft-lbs]	A	12	1.2	9	B	50	05.0	37
	[Nm]	[kpm]	[ft-lbs]											
A	12	1.2	9											
B	50	05.0	37											

EVR / EVRA

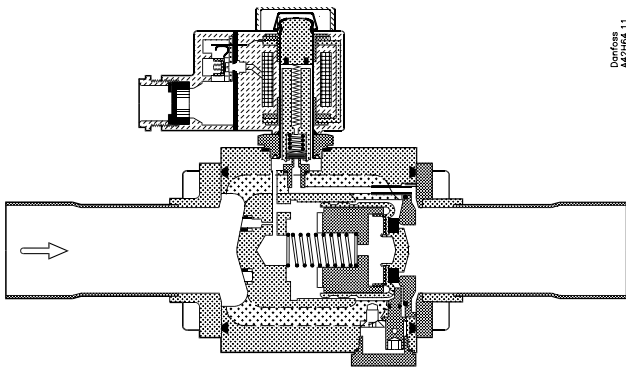


10 W a.c.		$t_{max.} 80\text{ }^{\circ}\text{C} (175\text{ }^{\circ}\text{F})$
10/12 W a.c.		$t_{max.} 80\text{ }^{\circ}\text{C} (175\text{ }^{\circ}\text{F})$
20 W d.c.		$t_{max.} 50\text{ }^{\circ}\text{C} (120\text{ }^{\circ}\text{F})$

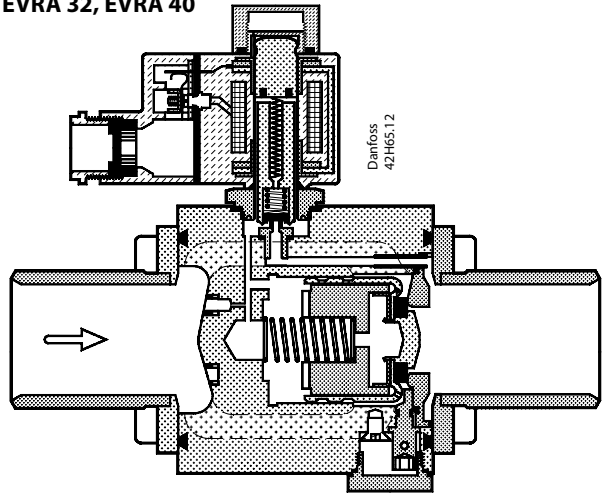
Coil and O-ring



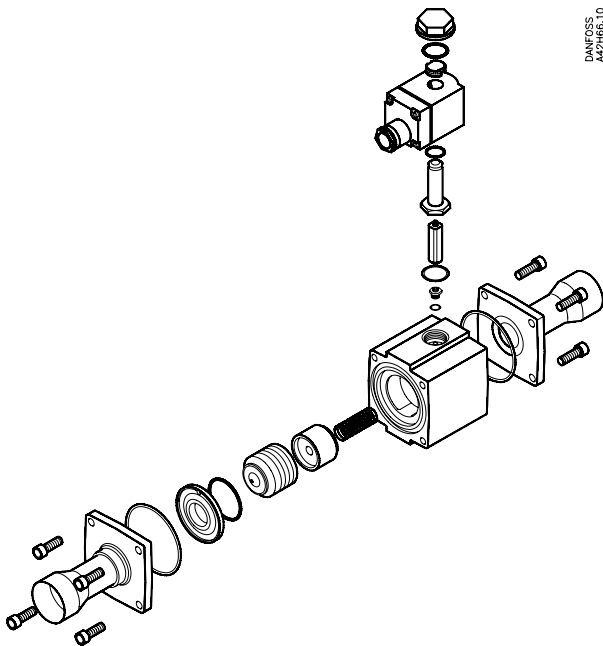
EVR 32, EVR 40



EVRA 32, EVRA 40



EVR 32, EVR 40



EVRA 32, EVRA 40

