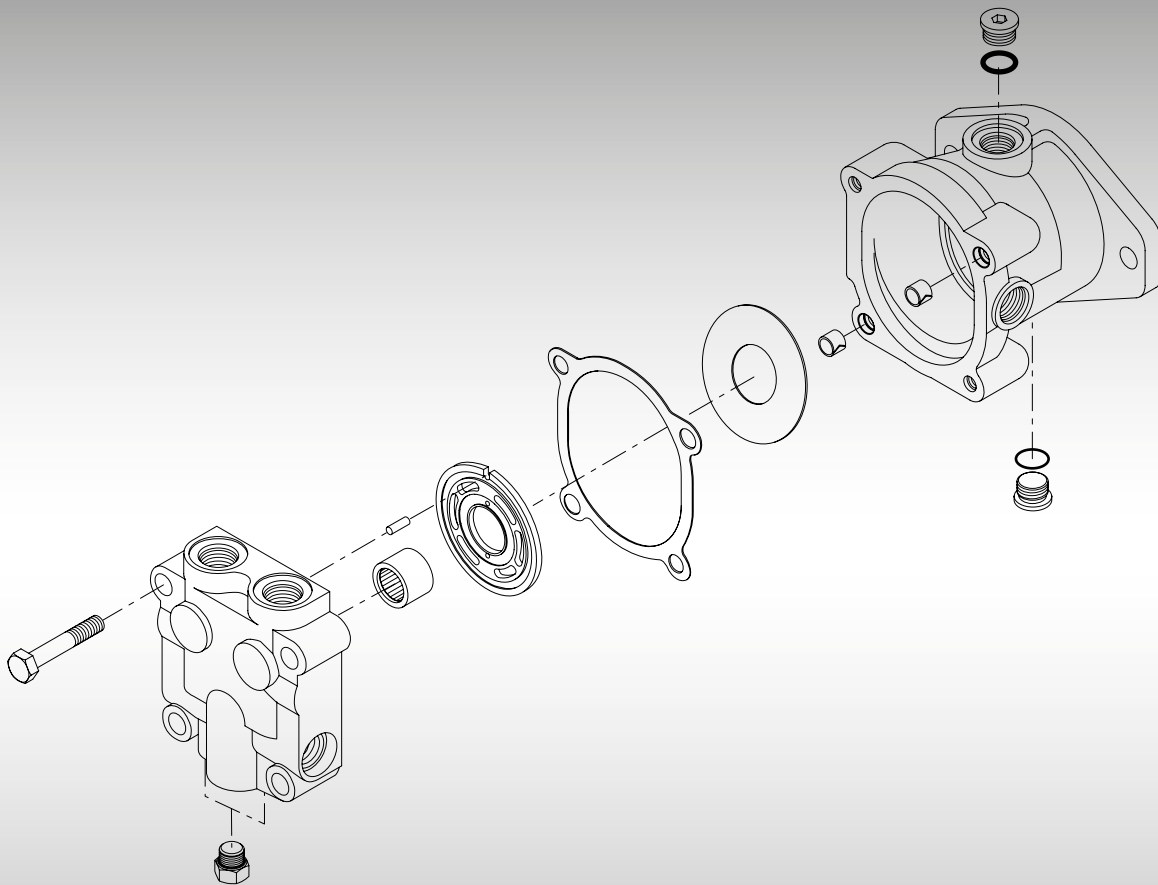




Service Parts Manual

M25 Axial Piston Motor Series 40







Contents

General Information	Service parts identification	4
	Nameplate	4
	Date code	5
	Service bulletins	5
	Procedure to identify a part	5
	Order code	7
Fixed displacement motor	Common parts	8-9
	Shaft seal	8-9
	Output shaft	8-13
	End cap	14-15
	Cylinder block kit	16-17
	Housing	18-21
	Overhaul seal kit	21
Service bulletins	SB-1998-040 (housing)	22
	SB-1999-058 (valve plate change)	23
	SB-2009-048 (housing, shaft, shaft bearing and seal)	24-25

**General information****Service parts identification**

The following information and procedure is used to identify the module group, item number, manufacture date, part number, and part name of the parts included in the Series 40, M25 fixed displacement motors.

The parts listed include all parts which may be used when performing either "Minor Repairs", "Major Repairs" or "Conversions" on the Series 40, M25 motor.

Nameplate

Each unit will have a nameplate affixed to the housing. The nameplate will include the following information.

Model Code

The Danfoss model code completely defines the specific unit and must be used when ordering parts to service this product.

Model Number

The Danfoss model number is used by the factory in manufacturing. On repeat orders, a complete unit can be ordered by the model number.

Serial Number

The Danfoss serial number is used to identify the manufacture date and the unit sequence in the build. The serial number is also used to identify the units warranty time period.

The letter code indicates the location of original manufacture (assembly). "A" indicates the unit was originally assembled in Ames, Iowa, U.S.A.

The first number (2 digits) indicates the year of manufacture. ("01" would indicate the unit was manufactured in 2001)

The second number (2 digits) indicates the calendar week of manufacture.

The third number (5 digits) is a sequential number used to identify a specific unit.





General information

Date code

The date code is defined as the year and week of manufacture. The same item number may list more than one part number. This indicates that there is more than one configuration for that item number. You will see that there are different date codes for the different part numbers. Find the date code of your unit from the nameplate to determine which service part number you need to order.

EXAMPLE: The service part desired is Item D02

Order Code	Item	Date Begin	Date End	Part Number	Part Name	Qty. per Model/Kit
N	D02	02-48		5000664	Square key (SB-2002-021)	1
	"	96-32	02-47	532432 (9003310-2514)	Woodruff key	1

All units using this order code with a date code of 96-32 and up to and including 02-47 must use part number "9003310-2514". All units with a date code of 02-48 and newer must use part number "5000664".

Service bulletins

A Service Bulletin Number (SB-____-____) may follow the "Part Name" of the part you desire. You must read that Service Bulletin prior to ordering that part. The information contained in these Service Bulletins, as of the print date of this bulletin, are included at the end of this manual. Service Bulletins contain more detailed information such as interchangeability, what additional parts are involved, etc. It is suggested that you add additional Service Bulletins to this manual as you receive them.

Procedure to identify a part

General

The modular design of Series 40 units results in a simplified service parts list and part number identification procedure.

The same item numbers are used for same part names on all units within a product type. (Example: The lip seal - Item D09 has the same item number on all motors.)

A part number that has another number following it in parentheses is done to make this a world wide manual. The first number is sold in Germany. The number in parentheses is sold in the United States. (Example: 5000093 (9008000-0132), customers would order 9008000-0132 if ordering the part in the United States.)

Example of a Part Identification

The nameplate on a Series 40 motor has an Order Code of MMF025C A E G A C NNN. Use the following procedures to determine the part number of the drive shaft used on this motor.

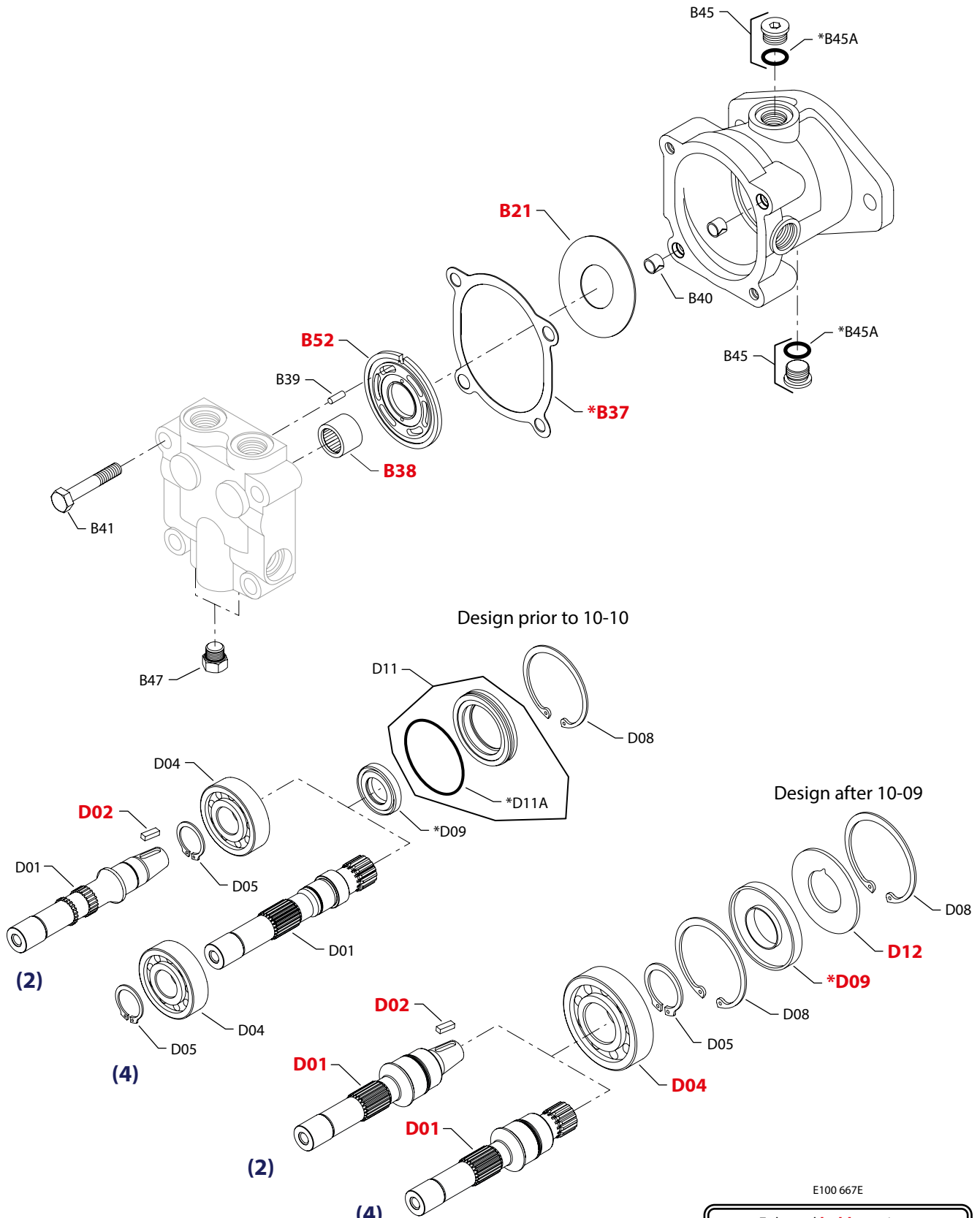
- 1) Referring to the output shaft module in the Order Code (see page 7), the output shaft option for this motor is identified by the code "E". (MMF025C A **E** G A C NNN)
- 2) Referring to the Service Parts List, find the shaft group. Next find the order code that relates to this unit, which is "E. The shaft is found to be item D01 and part number 11050599.



Notes



Fixed displacement motor



Design prior to 10-10

Design after 10-09

* = included in overhaul seal kit Q210

E100 667E
 Enlarged **bold** type item numbers are recommended part to stock for servicing.


Fixed displacement motor
Common parts

Order Code	Item	Date Begin	Date End	Part Number	Part Name	Qty. per Model/Kit
	B21	93-07		3103218	Thrust plate	1
	B37	93-07		4250068	End cap gasket	1
	B38	93-07		5000046	Needle bearing	1
	B39	93-07		015701 (9004700-1910)	Pin	1
	B40	93-07		688606 (9004875-0100)	Pin	2
	B41	93-07		5000091	Screw	4
	B45	93-07		681296 (9005110-7500)	Plug	2
	B45A	93-07		001131 (9004201-5000)	O-ring	2
	B47	93-07		001511 (9005100-4400)	Plug	2
	B52	93-07		4250143	Valve plate (SB-1999-058)	1

Seal group

see output shaft

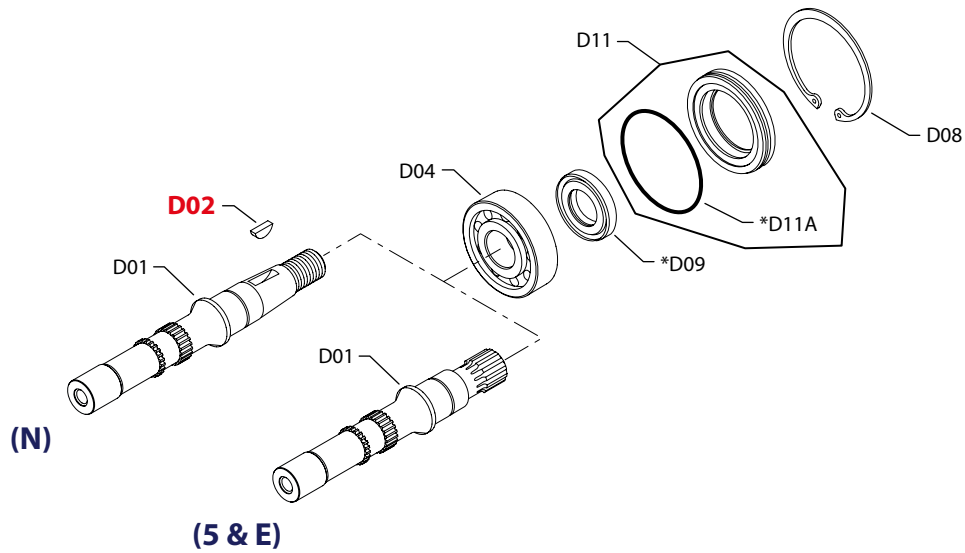
Output shaft

2	D01	10-10		11054169	Shaft, tapered (SB-2009-048)	1
	D01	00-31	10-09	4250146	Shaft, tapered	1
	D02	00-31		5000626	Square key	1
	D04	10-10		5000731	Ball bearing (SB-2009-048)	1
	D04	00-31	10-09	374447 (9001310-0008)	Ball bearing	1
	D05	10-10		9006300-0137	Retaining ring (SB-2009-048)	1
	D05	00-31	10-09	5000660	Retaining ring	1
	D08	10-10		9006200-0281	Retaining ring (SB-2009-048)	2
	D08	00-31	10-09	5000097 (9006200-0256)	Retaining ring	1
	D09	10-10		11103135	Lip seal (SB-2009-048)	1
	D09	00-31	10-09	5000093 (9008000-0132)	Lip seal	1
	D11	00-31	10-09	4250176	Seal carrier assembly (SB-2009-048)	1
	D11A	00-31	10-09	505536 (9004100-0350)	O-ring	1
D12	10-10		11083729	Support washer (SB-2009-048)	1	
4	D01	10-10		11058386	Shaft, 15 tooth spline (SB-2009-048)	1
	D01	12-47	10-09	4250154	Shaft, 15 tooth spline	1
	D04	10-10		5000731	Ball bearing (SB-2009-048)	1
	D04	12-47	10-09	374447 (9001310-0008)	Ball bearing	1
	D05	10-10		9006300-0137	Retaining ring (SB-2009-048)	1
	D05	12-47	10-09	5000660	Retaining ring	1
	D08	10-10		9006200-0281	Retaining ring (SB-2009-048)	2
	D08	12-47	10-09	5000097 (9006200-0256)	Retaining ring	1
	D09	10-10		11103135	Lip seal (SB-2009-048)	1
	D09	12-47	10-09	5000093 (9008000-0132)	Lip seal	1
	D11	12-47	10-09	4250176	Seal carrier assembly (SB-2009-048)	1
	D11A	12-47	10-09	505536 (9004100-0350)	O-ring	1
	D12	10-10		11083729	Support washer (SB-2009-048)	1

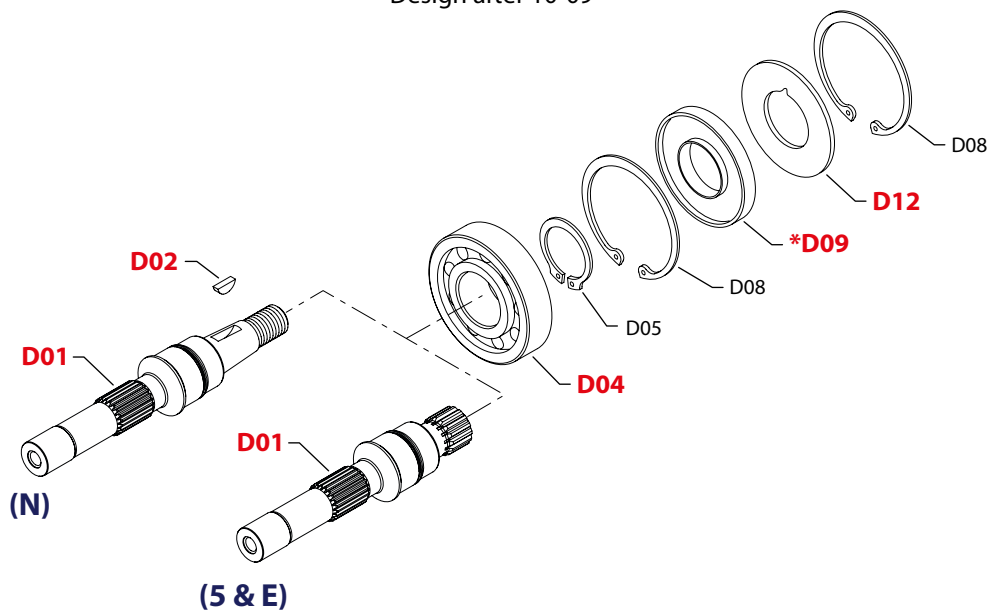


Fixed displacement motor

Design prior to 10-10



Design after 10-09



E103 414E

* = included in overhaul seal kit Q210

Enlarged **bold** type item numbers are recommended part to stock for servicing.

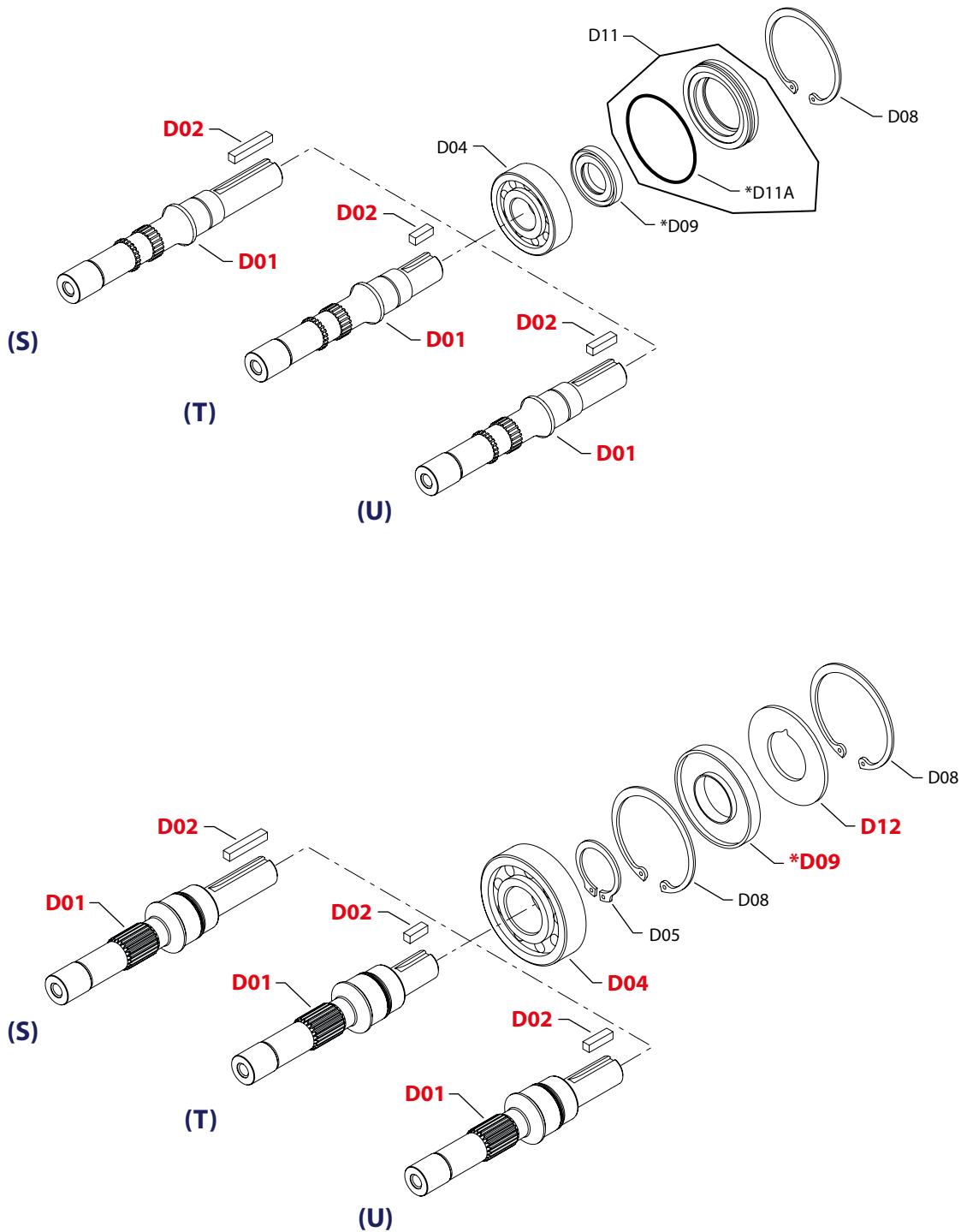

Fixed displacement motor
Output shaft

Order Code	Item	Date Begin	Date End	Part Number	Part Name	Qty. per Model/Kit
5	D01	10-10		11058385	Shaft, 13 tooth spline (SB-2009-048)	1
	D01	02-46	10-09	4250150	Shaft, 13 tooth spline	1
	D04	10-10		5000731	Ball bearing (SB-2009-048)	1
	D04	02-46	10-09	374447 (9001310-0008)	Ball bearing	1
	D05	10-10		9006300-0137	Retaining ring (SB-2009-048)	1
	D05	02-46	10-09	5000660	Retaining ring	1
	D08	10-10		9006200-0281	Retaining ring (SB-2009-048)	2
	D08	02-46	10-09	5000097 (9006200-0256)	Retaining ring	1
	D09	10-10		11103135	Lip seal (SB-2009-048)	1
	D09	02-46	10-09	5000093 (9008000-0132)	Lip seal	1
	D11	02-46	10-09	4250176	Seal carrier assembly (SB-2009-048)	1
	D11A	02-46	10-09	505536 (9004100-0350)	O-ring	1
D12	10-10		11083729	Support washer (SB-2009-048)	1	
E	D01	10-10		11050599	Shaft, 13 tooth spline, tapped (SB-2009-048)	1
	D01	94-09	10-09	4250078	Shaft, 13 tooth spline, tapped	1
	D04	10-10		5000731	Ball bearing (SB-2009-048)	1
	D04	94-09	10-09	374447 (9001310-0008)	Ball bearing	1
	D05	10-10		9006300-0137	Retaining ring (SB-2009-048)	1
	D05	94-09	10-09	5000660	Retaining ring	1
	D08	10-10		9006200-0281	Retaining ring (SB-2009-048)	2
	D08	94-09	10-09	5000097 (9006200-0256)	Retaining ring	1
	D09	10-10		11103135	Lip seal (SB-2009-048)	1
	D09	94-09	10-09	5000093 (9008000-0132)	Lip seal	1
	D11	94-09	10-09	4250176	Seal carrier assembly (SB-2009-048)	1
	D11A	94-09	10-09	505536 (9004100-0350)	O-ring	1
D12	10-10		11083729	Support washer (SB-2009-048)	1	
N	D01	10-10		11054170	Shaft, tapered (SB-2009-048)	1
	D01	96-49	10-09	4250129	Shaft, tapered	1
	D02	96-49		532432 (9003310-2514)	Woodruff key	1
	D04	10-10		5000731	Ball bearing (SB-2009-048)	1
	D04	00-31	10-09	374447 (9001310-0008)	Ball bearing	1
	D05	10-10		9006300-0137	Retaining ring (SB-2009-048)	1
	D05	00-31	10-09	5000660	Retaining ring	1
	D08	10-10		9006200-0281	Retaining ring (SB-2009-048)	2
	D08	00-31	10-09	5000097 (9006200-0256)	Retaining ring	1
	D09	10-10		11103135	Lip seal (SB-2009-048)	1
	D09	00-31	10-09	5000093 (9008000-0132)	Lip seal	1
	D11	00-31	10-09	4250176	Seal carrier assembly (SB-2009-048)	1
D11A	00-31	10-09	505536 (9004100-0350)	O-ring	1	
D12	10-10		11083729	Support washer (SB-2009-048)	1	



Fixed displacement motor

Design prior to 10-10



E103 415E

* = included in overhaul seal kit Q210

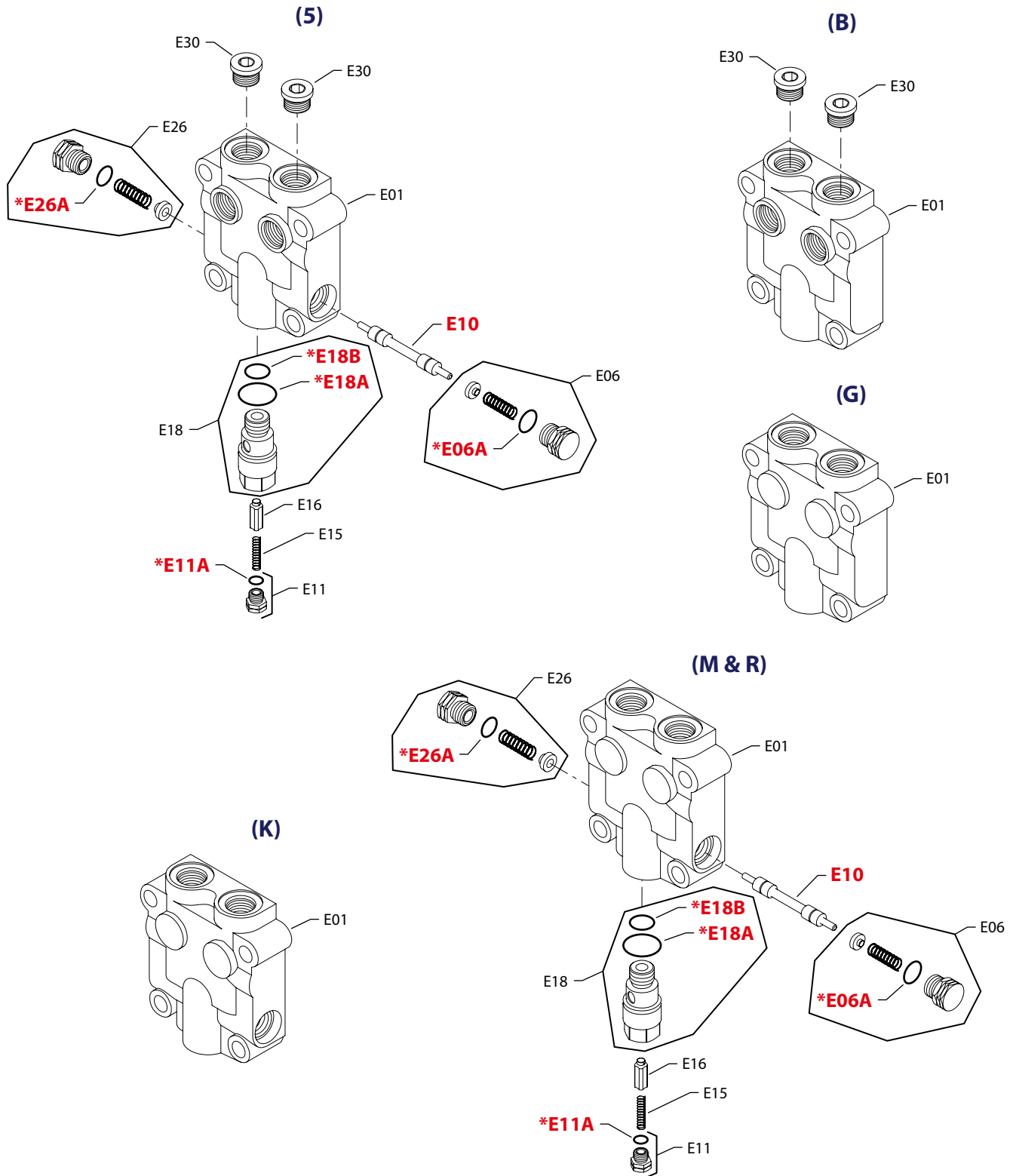
Enlarged **bold** type item numbers are recommended part to stock for servicing.


Fixed displacement motor
Output shaft

Order Code	Item	Date Begin	Date End	Part Number	Part Name	Qty. per Model/Kit
S	D01	10-10		11053724	Shaft, straight key (SB-2009-048)	1
	D01	93-50	10-09	4250190	Shaft, straight key	1
	D02	96-49		9003261-2524	Key	1
	D04	10-10		5000731	Ball bearing (SB-2009-048)	1
	D04	93-50	10-09	374447 (9001310-0008)	Ball bearing	1
	D05	10-10		9006300-0137	Retaining ring (SB-2009-048)	1
	D05	93-50	10-09	5000660	Retaining ring	1
	D08	10-10		9006200-0281	Retaining ring (SB-2009-048)	2
	D08	93-50	10-09	5000097 (9006200-0256)	Retaining ring	1
	D09	10-10		11103135	Lip seal (SB-2009-048)	1
	D09	93-50	10-09	5000093 (9008000-0132)	Lip seal	1
	D11	93-50	10-09	4250176	Seal carrier assembly (SB-2009-048)	1
	D11A	93-50	10-09	505536 (9004100-0350)	O-ring	1
D12	10-10		11083729	Support washer (SB-2009-048)	1	
T	D01	10-10		11053766	Shaft, straight key, short (SB-2009-048)	1
	D01	08-14	10-09	11043520	Shaft, straight key, short	1
	D02	08-14		5000664	Key	1
	D04	10-10		5000731	Ball bearing (SB-2009-048)	1
	D04	08-14	10-09	374447 (9001310-0008)	Ball bearing	1
	D05	10-10		9006300-0137	Retaining ring (SB-2009-048)	1
	D05	08-14	10-09	5000660	Retaining ring	1
	D08	10-10		9006200-0281	Retaining ring (SB-2009-048)	2
	D08	08-14	10-09	5000097 (9006200-0256)	Retaining ring	1
	D09	10-10		11103135	Lip seal (SB-2009-048)	1
	D09	08-14	10-09	5000093 (9008000-0132)	Lip seal	1
	D11	08-14	10-09	4250176	Seal carrier assembly (SB-2009-048)	1
	D11A	08-14	10-09	505536 (9004100-0350)	O-ring	1
D12	10-10		11083729	Support washer (SB-2009-048)	1	
U	D01	10-10		11053765	Shaft, straight key, mid length (SB-2009-048)	1
	D01	08-37	10-09	11051299	Shaft, straight key, mid length	1
	D02	96-49		5000664	Key	1
	D04	10-10		5000731	Ball bearing (SB-2009-048)	1
	D04	08-37	10-09	374447 (9001310-0008)	Ball bearing	1
	D05	10-10		9006300-0137	Retaining ring (SB-2009-048)	1
	D05	08-37	10-09	5000660	Retaining ring	1
	D08	10-10		9006200-0281	Retaining ring (SB-2009-048)	2
	D08	08-37	10-09	5000097 (9006200-0256)	Retaining ring	1
	D09	10-10		11103135	Lip seal (SB-2009-048)	1
	D09	08-37	10-09	5000093 (9008000-0132)	Lip seal	1
	D11	08-37	10-09	4250176	Seal carrier assembly (SB-2009-048)	1
	D11A	08-37	10-09	505536 (9004100-0350)	O-ring	1
D12	10-10		11083729	Support washer (SB-2009-048)	1	



Fixed displacement motor



E100 668E

* = included in overhaul seal kit Q210

Enlarged **bold** type item numbers are recommended part to stock for servicing.

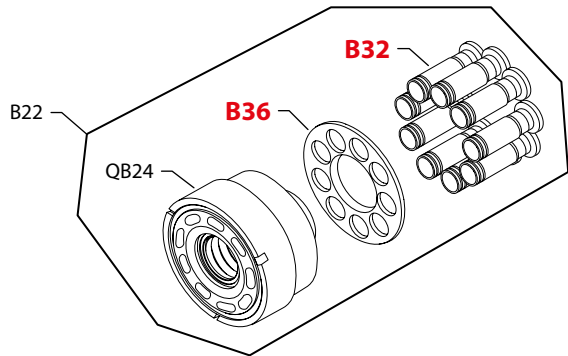

Fixed displacement motor
End cap

Order Code	Item	Date Begin	Date End	Part Number	Part Name	Qty. per Model/Kit	
5	E01	99-18		4250142	End cap, axial ports with loop flushing	1	
	E06	99-18		4800912	Plug/spring assembly	1	
	E06A	99-18		085043 (9004201-3700)	O-ring	1	
	E10	99-18		8800550	Shuttle spool	1	
	E11	99-18		4800280	Loop flushing plug assembly	1	
	E11A	99-18		015818 (9004201-3100)	O-ring	1	
	E15	99-18		768853	Spring	1	
	E16	99-18		4800397	Poppet	1	
	E18	99-18		4800366	Adaptor plug assembly	1	
	E18A	99-18		000836 (9004100-0200))	O-ring	1	
	E18B	99-18		085043 (9004201-3700)	O-ring	1	
	E26	99-18		4800912	Loop flushing plug assembly	1	
	E26A	99-18		085043 (9004201-3700)	O-ring	1	
	E30	99-18		315325 (9005110-8700)	Plug assembly	2	
	B	E01	96-47		4250122	End cap, axial ports	1
E30		96-47		315325 (9005110-8700)	Plug assembly	2	
G	E01	96-47		4250067	End cap, radial ports	1	
K	E01	13-09		11120754	End cap, radial ports with anti-cavitation	1	
M	E01	01-37		4250079	End cap, radial ports with loop flushing	1	
	E06	01-37		4800912	Loop flushing plug assembly	1	
	E06A	01-37		085043 (9004201-3700)	O-ring	1	
	E10	01-37		8800550	Shuttle spool	1	
	E11	01-37		4800280	Plug assembly	1	
	E11A	01-37		015818 (9004201-3100)	O-ring	1	
	E15	01-37		768853	Spring	1	
	E16	01-37		4800396	Poppet	1	
	E18	01-37		4800366	Adaptor plug assembly	1	
	E18A	01-37		000836 (9004100-0200)	O-ring	1	
	E18B	01-37		085043 (9004201-3700)	O-ring	1	
	E26	01-37		4800912	Loop flushing plug assembly	1	
	E26A	01-37		085043 (9004201-3700)	O-ring	1	
	R	E01	94-08		4250079	End cap, radial ports with loop flushing	1
		E06	94-08		4800912	Loop flushing plug assembly	1
E06A		94-08		085043 (9004201-3700)	O-ring	1	
E10		94-08		8800550	Shuttle spool	1	
E11		94-08		4800280	Plug assembly	1	
E11A		94-08		015818 (9004201-3100)	O-ring	1	
E15		94-08		768853	Spring	1	
E16		94-08		4800397	Poppet	1	
E18		94-08		4800366	Adaptor plug assembly	1	
E18A		94-08		000836 (9004100-0200)	O-ring	1	
E18B		94-08		085043 (9004201-3700)	O-ring	1	
E26		94-08		4800912	Loop flushing plug assembly	1	
E26A		94-08		085043 (9004201-3700)	O-ring	1	

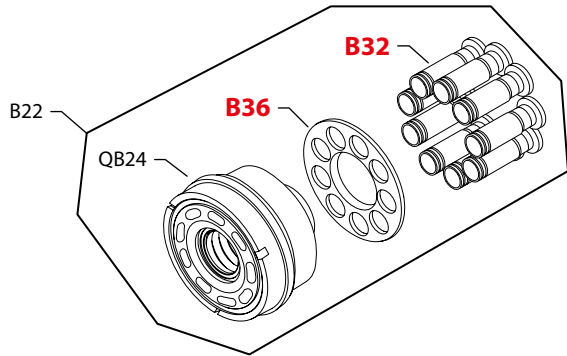


Fixed displacement motor

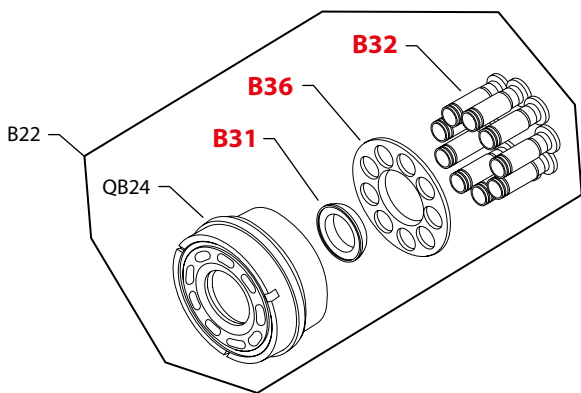
(A)



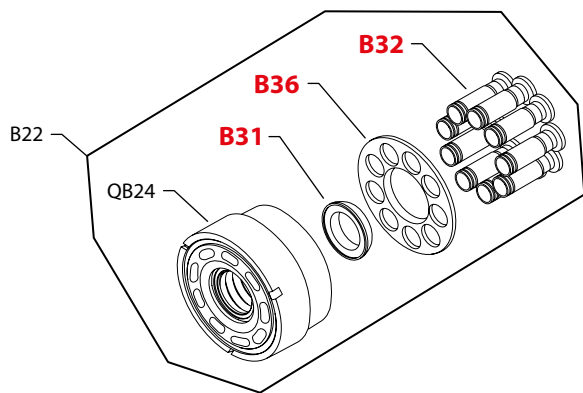
(C)



(E)



(F)



E100 671E

Enlarged **bold** type item numbers are recommended part to stock for servicing.

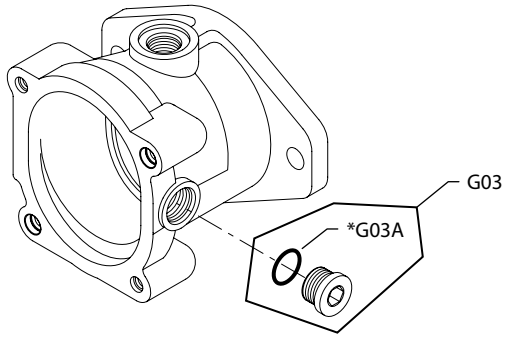

Fixed displacement motor
Cylinder block kit

Order Code	Item	Date Begin	Date End	Part Number	Part Name	Qty. per Model/Kit
A	B22	93-07		4250062	Cylinder block kit	1
	B32	93-07		4250127	Piston assembly	9
	B36	93-07		3103197	Slipper retainer	1
	QB24	93-07		11162133	Cylinder block assembly	1
C	B22	96-14		4250097	Cylinder block kit with speed ring	1
	B32	96-14		4250127	Piston assembly	9
	B36	96-14		3103197	Slipper retainer	1
	QB24	96-14		11162134	Cylinder block assembly with speed ring	1
E	B22	02-17		4250160	Cylinder block kit with keel holddown, speed ring	1
	B30	02-17		4250121	Slipper holddown washer assembly	1
	B31	02-17		4250140	Slipper retainer guide	1
	B32	02-17		4250127	Piston assembly	9
	B36	02-17		4250117	Slipper retainer	1
	QB24	02-17		11162136	Cylinder block assembly with speed ring	1
F	B22	02-50		4250119	Cylinder block kit with keel holddown	1
	B30	02-50		4250121	Slipper holddown washer assembly	1
	B31	02-50		4250140	Slipper retainer guide	1
	B32	02-50		4250127	Piston assembly	9
	B36	02-50		4250117	Slipper retainer	1
	QB24	02-50		11162135	Cylinder block assembly	1

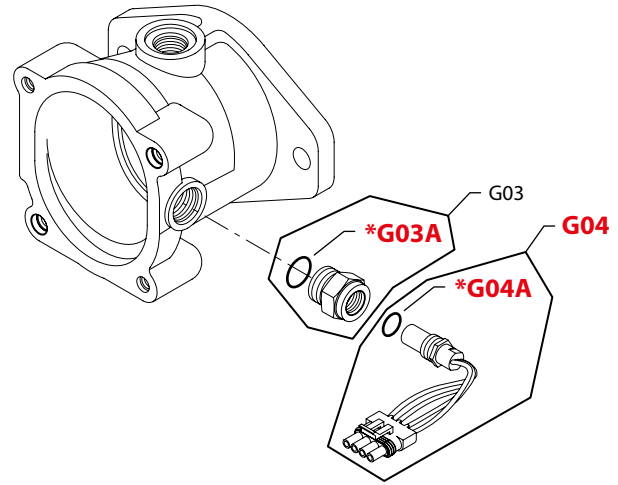


Fixed displacement motor

(B & C)



(D, F, H, J,
N & T)



E100 672E

* = included in overhaul seal kit Q210

Enlarged **bold** type item numbers are recommended part to stock for servicing.

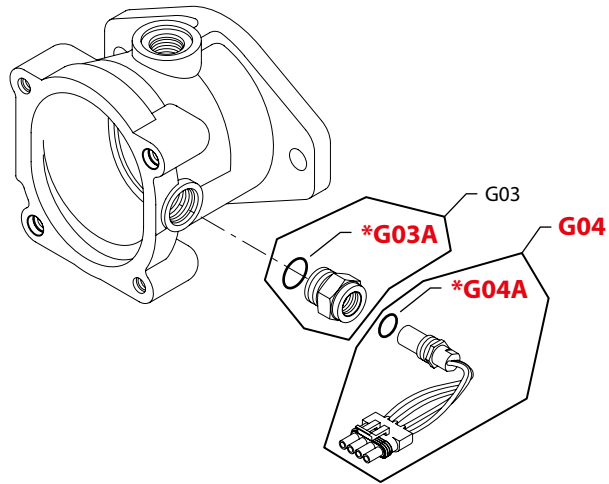

Fixed displacement motor
Housing

Order Code	Item	Date Begin	Date End	Part Number	Part Name	Qty. per Model/Kit
B	G01	10-10		11047050	Housing (SB-2009-048)	1
	G01	93-07	10-09	4250096	Housing	1
	G03	96-17		315325 (9005110-8700)	Plug assembly	1
	G03A	96-17		001149 (9004201-6200)	O-ring	1
C	G01	10-10		11062877	Housing, 20cc (SB-2009-048)	1
	G01	93-45	10-09	4250137	Housing, 20 cc (SB-1998-040)	1
	G03	98-38		315325 (9005110-8700)	Plug assembly	1
	G03A	98-38		001149 (9004201-6200)	O-ring	1
D	G01	10-10		11047050	Housing (SB-2009-048)	1
	G01	97-15	10-09	4250096	Housing	1
	G03	97-45		4800432	Adapter assembly	1
	G03A	97-45		001149 (9004201-6200)	O-ring	1
	G04	97-45		KPPG13408	Speed sensor	1
	G04A	97-45		085043 (9004201-3700)	O-ring	1
F	G01	10-10		11047050	Housing (SB-2009-048)	1
	G01	97-15	10-09	4250096	Housing	1
	G03	97-45		4800432	Adapter assembly	1
	G03A	97-45		001149 (9004201-6200)	O-ring	1
	G04	97-45		KPPG156	Speed sensor	1
	G04A	97-45		085043 (9004201-3700)	O-ring	1
H	G01	11-10		11062877	Housing	1
	G03	11-10		4800432	Adapter assembly	1
	G03A	11-10		001149 (9004201-6200)	O-ring	1
	G04	11-10		KPPG126	Speed sensor	1
	G04A	11-10		085043 (9004201-3700)	O-ring	1
J	G01	10-10		11062877	Housing, 20cc (SB-2009-048)	1
	G01	98-31	10-09	4250137	Housing, 20 cc	1
	G03	98-31		4800432	Adapter assembly	1
	G03A	98-31		001149 (9004201-6200)	O-ring	1
	G04	98-31		KPPG12703A	Speed sensor	1
	G04A	98-31		085043 (9004201-3700)	O-ring	1
N	G01	10-10		11047050	Housing (SB-2009-048)	1
	G01	00-14	10-09	4250096	Housing	1
	G03	00-14		4800432	Adapter assembly	1
	G03A	00-14		001149 (9004201-6200)	O-ring	1
	G04	00-14		KPPG16008	Speed sensor	1
	G04A	00-14		085043 (9004201-3700)	O-ring	1
T	G01	12-22		11047050	Housing (SB-2009-048)	1
	G03	12-22		4800432	Adapter assembly	1
	G03A	12-22		001149 (9004201-6200)	O-ring	1
	G04	12-22		KPPG16708	Speed sensor	1
	G04A	12-22		085043 (9004201-3700)	O-ring	1



Fixed displacement motor

(W)



E103 416E

* = included in overhaul seal kit Q210

Enlarged **bold** type item numbers are recommended part to stock for servicing.


Fixed displacement motor
Housing

Order Code	Item	Date Begin	Date End	Part Number	Part Name	Qty. per Model/Kit
W	G01	10-10		11062877	Housing, 20cc (SB-2009-048)	1
	G01	08-04	10-09	4250137	Housing, 20 cc	1
	G03	08-04		4800432	Adapter assembly	1
	G03A	08-04		001149 (9004201-6200)	O-ring	1
	G04	08-04		KPPG156	Speed sensor	1
	G04A	08-04		085043 (9004201-3700)	O-ring	1

Overhaul seal kit

	Q210	93-07		4510035	Overhaul seal kit, MMF025C	1
	B37	93-07		4250068	End cap gasket	1
	B45A	93-07		001131 (9004201-5000)	O-ring	2
	D09	93-07		5000093 (9008000-0132)	Lip seal	1
	D09	10-10		11103135	Lip seal	1
	D11A	93-07		505536 (9004100-0350)	O-ring	1
	E06A	93-07		085043 (9004201-3700)	O-ring	1
	E11A	93-07		015818 (9004201-3100)	O-ring	1
	E18A	93-07		000836 (9004100-0200)	O-ring	1
	E18B	93-07		058043 (9004201-3700)	O-ring	1
	E26A	93-07		085043 (9004201-3700)	O-ring	1
	G03A	93-07		001149 (9004201-6200)	O-ring	1
	G04A	93-07		085043 (9004201-3700)	O-ring	1

**Service Bulletin: SB-1998-040****Products affected** M25 fixed motors**Subject** Housing**Description** As a product improvement and in order to limit the quantity of part numbers, Sauer-Danfoss has made a change to the M25 fixed motor housing. The new housing includes a PPU (Pulse Pick Up) port for the insertion of a speed sensor.

The new housing is interchangeable with the old housing, and the old housing will become obsolete.

Models affected M25-3xxx**Serial numbers** This change will become effective at serial number A-98-24-xxxxx.**Part numbers affected**

Item description	Old part number	New part number
M25 fixed motor housing	4250077	4250137

Parts disposition ■ Interchangeable


Service Bulletin: SB-1999-058

Products affected Series 40 motors (M25 fixed and U-style, M35, M44, and M46 fixed and variable)

Subject Valve plate change

Description As a product improvement, Sauer-Danfoss has modified the finish on all Series 40 motor valve plates. This change enhances the plates ability to develop and retain a suitable oil film, especially at initial start up.

In order to track this change, all Series 40 motor valve plate numbers have been changed. This is an interchangeable change and the old part numbers have been obsoleted.

Models affected All Series 40 - M25 fixed motors and M25 motor section within M25 U-style transmissions
 All Series 40 - M35 and M44 fixed motors
 All Series 40 - M46 fixed and variable motors

Serial numbers This change became effective at serial number A-99-34-xxxxx for all Series 40 - M25 fixed motors and M25 motor section of U-style transmissions,

This change became effective at serial number K-00-18-xxxxx for all Series 40 - M35 and M44 fixed motors and all M46 fixed and variable motors.

Part numbers affected

Frame size	Item description	Old part number	New part number
M25	Motor vale plate	4250073	4250143
M35 and M44	Motor valve plate	4350159	4350754
M46	Motor valve plate	4460119	4461105

Parts disposition ■ Interchangeable



Service Bulletin: SB-2009-048

Products affected

Series 40 M25 fixed motor

Subject

Housing, shaft, shaft bearing and seal

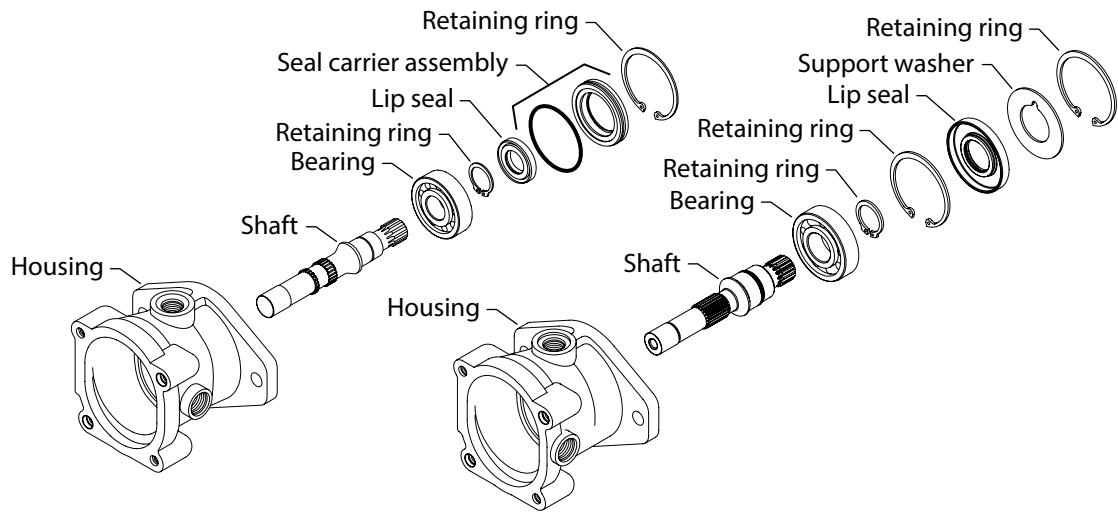
Description

To provide common parts across product lines, Sauer-Danfoss has changed the housings, shafts, shaft bearing and seal design in M25 fixed motors.

Details of this change include:

- Housings have a larger shaft bearing bore diameter.
- Output shafts have increased diameter at the shaft bearing surface. The splines on the shaft will also change to reflect SAE standards.
- Shaft bearing has a larger I.D. and O.D. diameters.
- The two piece shaft seal carrier assembly is replaced by a lip seal and support washer.

The new and old parts are not interchangeable. The old parts will remain available for a time for service repairs.




Service Bulletin: SB-2009-048
Models affected:

All Series 40 M25 fixed motors

Serial numbers affected:

This change became effective at serial number A10-09-xxxxx (03 March 2010)

Due to inventory and order placements some motors were manufactured with the old hardware after the serial number effective date A10-09-xxxxx (03 March 2010). If the unit you are servicing falls into the model and serial number ranges below the old components must be used as replacement parts.

Model 4253050			
A102018697 - 18704	A102103486 - 03491	A102409565 - 09590	A102421450 - 21455
A102406175 - 06180	A102510148 - 10155	A102611807 - 11814	A102708993 - 08999
A102710916 - 10921	A102715758 - 15765	A102808666 - 08673	A102813103 - 13110
A102816280 - 16287	A102907530 - 07537	A102912034 - 12041	

Model 4253000			
A102206564 - 06568	A102207297 - 07299	A102207300 - 07302	A102218066 - 18068
A102319942 - 19951	A102409434 - 09443	A102417678 - 17687	

Model 4253002			
A102018708 - 18712	A102018713 - 18717	A102213831 - 13840	A102421419 - 21427

Model 4253033
A102210064 - 10077
A102213747

Model 4253007
A102510814 - 10817

Part numbers affected:

Description	Old part number	New part number
Seal carrier assembly	4250176	N/A
Seal carrier assembly	4250178	N/A
Lip seal	9008000-0132	9008000-0121
Lip seal	9008000-0131	9008000-0121
Seal support washer	N/A	4350455
Retaining ring	9006200-0256	9006200-0281
Retaining ring	5000660	9006300-0137
Bearing	9001310-0008	5000731
Shaft 7/8 dia. straight key	11051299	11053765
Shaft 15T	4250154	11058386
Shaft 13T	4250150	11058385
Shaft 7/8 dia. straight key	4250190	11053724
Shaft 13T tapped	4250078	11050599
Shaft taper	4250129	11054170
Shaft 7/8 taper	4250146	11054169
Shaft, short shaft 7/8 dia. str. key	11043520	11053766
Housing	4250137	11062877
Housing	4250096	11047050

Parts disposition:

Non-interchangeable

Use parts in stock



Notes



Notes



Products we offer:

- Bent Axis Motors
- Closed Circuit Axial Piston Pumps and Motors
- Displays
- Electrohydraulic Power Steering
- Electrohydraulics
- Hydraulic Power Steering
- Integrated Systems
- Joysticks and Control Handles
- Microcontrollers and Software
- Open Circuit Axial Piston Pumps
- Orbital Motors
- PLUS+1® GUIDE
- Proportional Valves
- Sensors
- Steering
- Transit Mixer Drives

Danfoss Power Solutions is a global manufacturer and supplier of high-quality hydraulic and electronic components. We specialize in providing state-of-the-art technology and solutions that excel in the harsh operating conditions of the mobile off-highway market. Building on our extensive applications expertise, we work closely with our customers to ensure exceptional performance for a broad range of off-highway vehicles.

We help OEMs around the world speed up system development, reduce costs and bring vehicles to market faster.

Danfoss – Your Strongest Partner in Mobile Hydraulics.

Go to www.powersolutions.danfoss.com for further product information.

Wherever off-highway vehicles are at work, so is Danfoss.

We offer expert worldwide support for our customers, ensuring the best possible solutions for outstanding performance. And with an extensive network of Global Service Partners, we also provide comprehensive global service for all of our components.

Please contact the Danfoss Power Solution representative nearest you.

Comatrol

www.comatrol.com

Schwarzmueller-Inverter

www.schwarzmueller-inverter.com

Turolla

www.turollaocg.com

Valmova

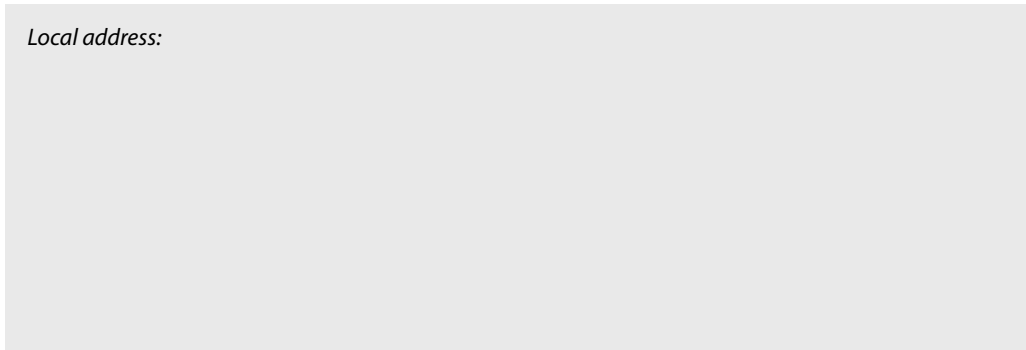
www.valmova.com

Hydro-Gear

www.hydro-gear.com

Daikin-Sauer-Danfoss

www.daikin-sauer-danfoss.com



Local address:

Danfoss Power Solutions US Company
2800 East 13th Street
Ames, IA 50010, USA
Phone: +1 515 239 6000

Danfoss Power Solutions GmbH & Co. OHG
Krokamp 35
D-24539 Neumünster, Germany
Phone: +49 4321 871 0

Danfoss Power Solutions ApS
Nordborgvej 81
DK-6430 Nordborg, Denmark
Phone: +45 7488 4444

Danfoss Power Solutions
Building #22, No. 1000 Jin Hai Rd
Jin Qiao, Pudong New District
Shanghai, China 201206
Phone: +86 21 3418 5200

Danfoss can accept no responsibility for possible errors in catalogues, brochures and other printed material. Danfoss reserves the right to alter its products without notice. This also applies to products already on order provided that such alterations can be made without subsequential changes being necessary in specifications already agreed. All trademarks in this material are property of the respective companies. Danfoss and the Danfoss logotype are trademarks of Danfoss A/S. All rights reserved.