

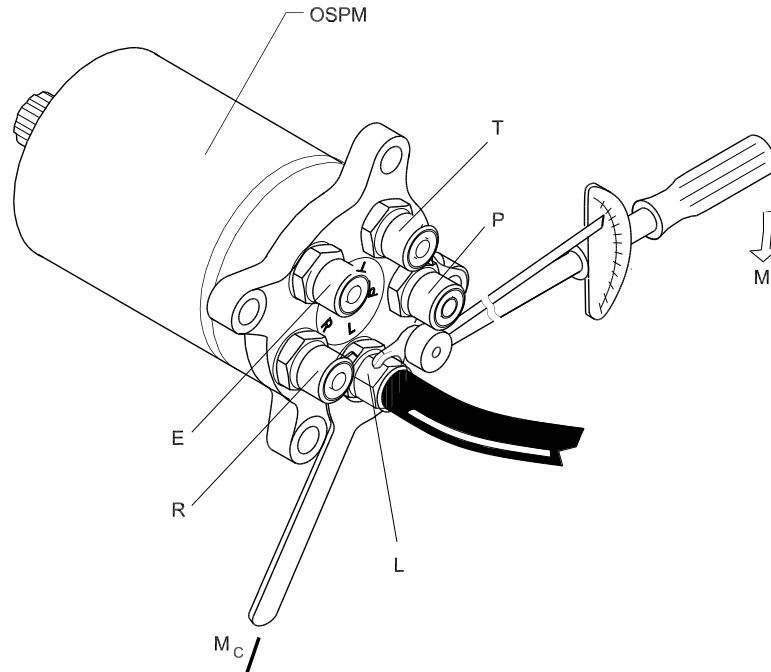
Installation Guide

Mini Steering Unit Type OSPM Steering Column

150R9900

150R9900

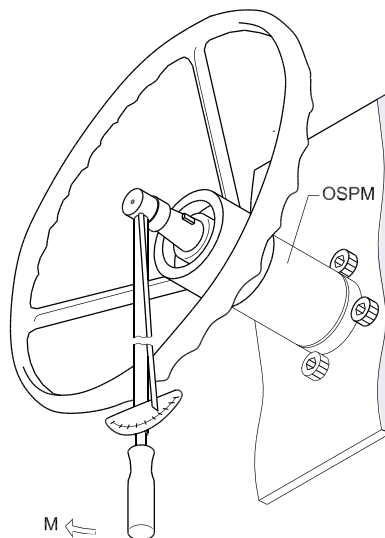
Mini Steering Unit
Type OSPM



150-623.10

M Max. tightening torque for hose connections			
Connection: O-ring face seal (ORFS)	P, T, E		L, R
		9/16 - 18 UNF	11/16 - 16 UN
	25 N·m [221 lbf·in]	27 N·m [239 lbf·in]	25 N·m [221 lbf·in]

Mc Fitting bolts must not be turned during assembly of hose



150-621.10

M Max. tightening torque for steering wheel bolt		
	N·m	lbf·in
OSPM type A shaft (M8 × 1.25)	20	177
OSPM type B shaft (5/8 - 18 UNF)	40	354

Steering Column

