



Technical Information

MCX103B,D

Hall Effect Rotary Position Sensor



Contents

Product Overview

- Description 3
- Features 3
- Ordering information 3
 - Specify..... 3
 - Part number quick reference..... 3
- Technical data..... 4
 - Electrical 4
 - Electrical data 4
 - Environmental..... 4
- Theory of operation 4
 - Sensor supply voltage..... 4
- Dimensions..... 5
 - MCX103B with 45° sensor range..... 5
 - MCX103B with 90° sensor range 6
 - MCX103D..... 6

Product installation

- Installation 7
 - Mounting 7
 - Wiring 7

Product Overview
Description

The MCX103 Hall Effect Rotary Position Sensor serves as either a command (when connected to a control handle, foot pedal, throttle, steering wheel, etc.) or feedback source.

Housed in aluminum, the MCX103 contains a non-contacting linear hall effect sensor with an input shaft supported by a sleeve bearing.

Features

- Non-contact sensor withstands high shock and vibration
- Input voltage adapted for microprocessor circuits
- Infinite resolution
- Long life
- Designed to withstand the mobile environment
 - -40° to 85° C operating range
 - 95% relative humidity
 - Meets off-highway vibration standards
 - Protected against static discharge, EMI and RFI

Ordering Information
Specify

1. Part number MCX103B or MCX103D. See [Part number quick reference](#).
2. Flange mount.
3. Rotation angle.

Part number quick reference

Part Number	Supply Voltage	Total Mechanical Rotation	Total Electrical Rotation	Body Style	Flats on shaft	Connection Type	Cable Length
MCX103B1043	5 Volt	300°	45°	Round housing	15,75 (.62) Dual	Metri-Pack	12 ± 1
MCX103B1050	5 Volt	300°	90°	Round housing	15,75 (.62) Dual	Metri-Pack	12 ± 1
MCX103B1076	5 Volt	300°	45°	Round housing	15,75 (.62) Dual	Weather Pack	12 ± 1
MCX103B1084	5 Volt	300°	90°	Round housing	15,75 (.62) Dual	Weather Pack	12 ± 1
MCX103B1145	5 Volt	300°	45°	Round housing	11,94 (.47) Dual	Weather Pack	12 ± 1
MCX103B1153	5 Volt	300°	90°	Round housing	11,94 (.47) Dual	Weather Pack	12 ± 1
MCX103B1161	5 Volt	300°	45°	Round housing	15,75 (.62) Dual	Metri-Pack	3 ± 1
MCX103D1017	8 Volt	360°	90°	Round housing w/flange	12,7 (.50) Single	Weather Pack	12 ± 1
MCX103D1025	8 Volt	360°	90°	Round housing w/flange	12,7 (.50) Single	Deutsch	12 ± 1
MCX103D1033	8 Volt	360°	90°	Round housing w/flange	12,7 (.50) Single	Deutsch w/gold contacts	12 ± 1

Product Overview
Technical Data
Electrical
Electrical data

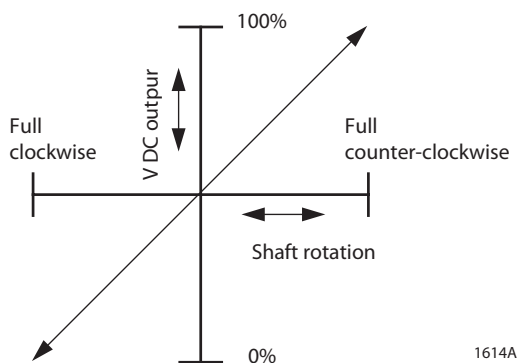
Input voltage	5.0 to 8.0 V DC
Hall effect electromagnetic sensor	Life is not limited by the number of cycles
Maximum output load current	1 mA sourcing or sinking
Maximum current draw	20 mA
Output impedance	0
Input torque	Not to exceed 25 oz·in
Side loading	One million cycles with 5 pound side load
Hysteresis	Negligible
Linearity	Approximately $\pm 3\%$ over the rated angle. Since the output is proportional to the sine of the input angle, greater linearity can be achieved by reducing the angle employed.
Temperature rating	-40° to 85° C (-40° to 185° F) operating -55° to 125° C (-67° to 257° F) storage
Temperature stability	Null shift of $\pm 0.028\%$ per °C from -40° to 85° C Gain shift of $\pm 0.025\%$ per °C from -40° to 85° C

Environmental

The MCX103 has been tested and qualified to Danfoss environmental specifications, designed for mobile equipment applications. The test includes vibration, shock, EMI/RFI, short circuit, over voltage, humidity, high pressure wash down, and chemical resistance.

Theory of Operation

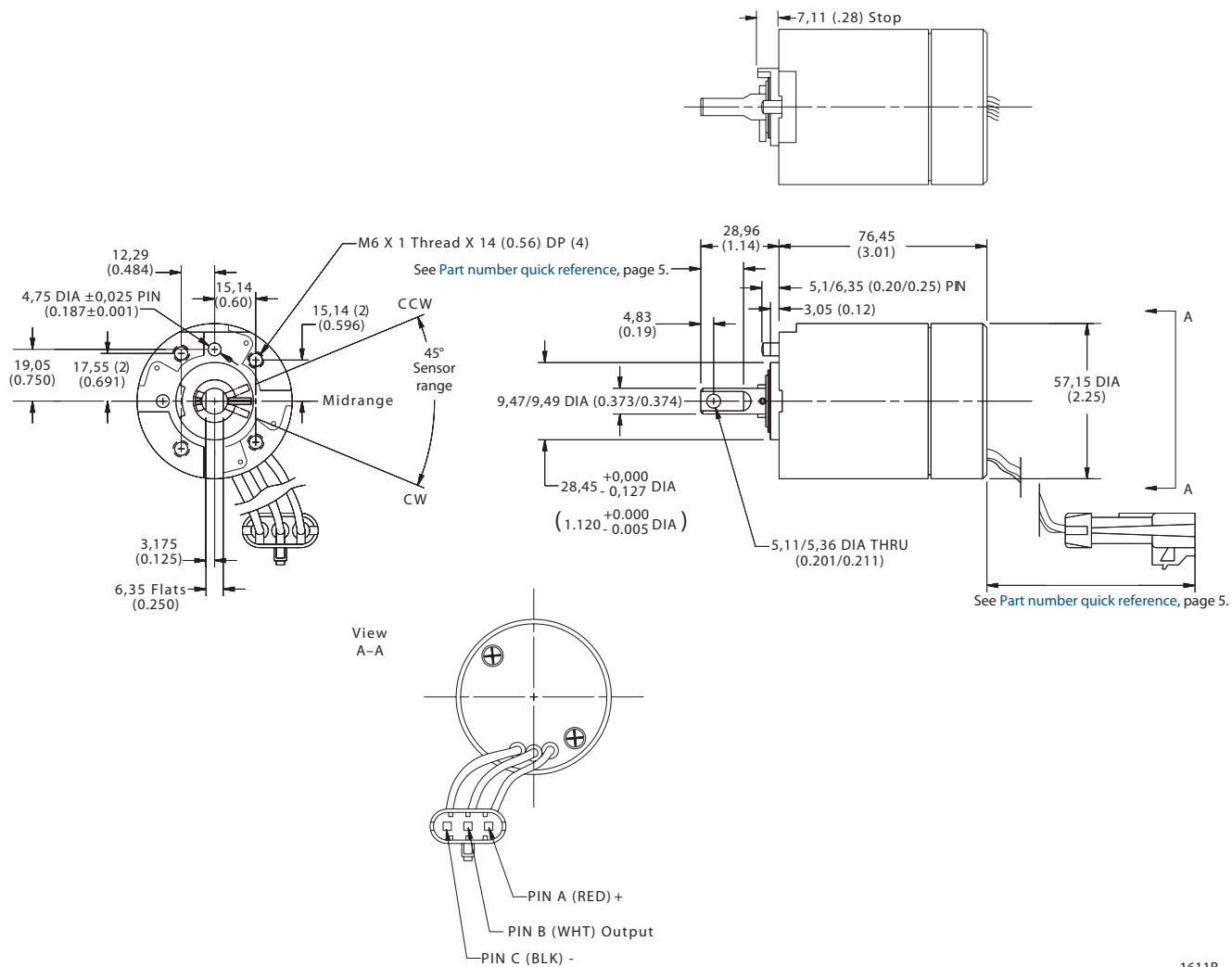
A "U" shaped magnet is mounted to the input shaft of the MCX103. Mounted in a fixed position between the north and south poles of the magnet is a linear hall effect sensor. As the "U" shaped magnet is rotated, the changing magnetic flux lines cutting through the hall effect sensor cause the output to change linearly from 25 to 75% of supply voltage for 90° Sensors. The output changes from 30 to 70% of supply voltage for 45° sensors.

Sensor supply voltage


1614A

Dimensions

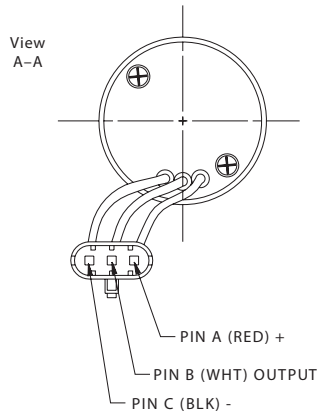
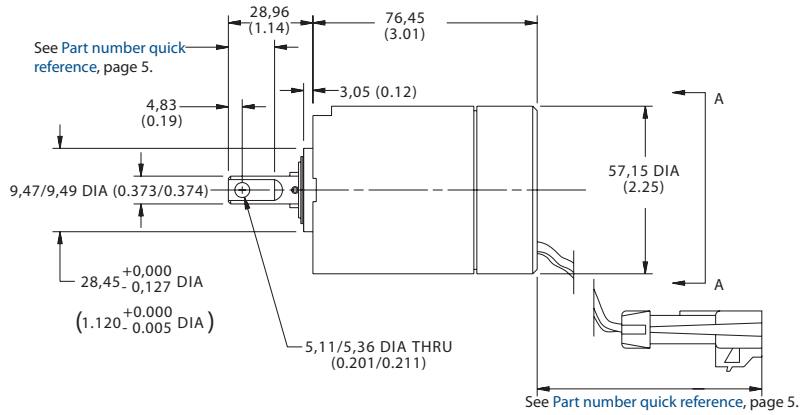
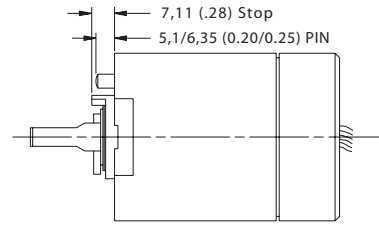
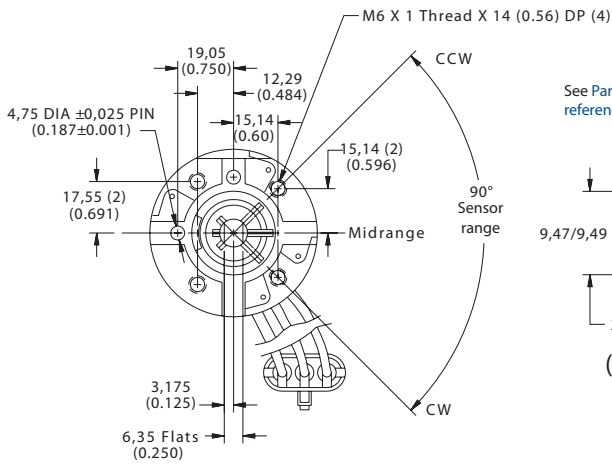
Dimensions of the MCX103B with 45° sensor range in millimeters [inches].



1611B

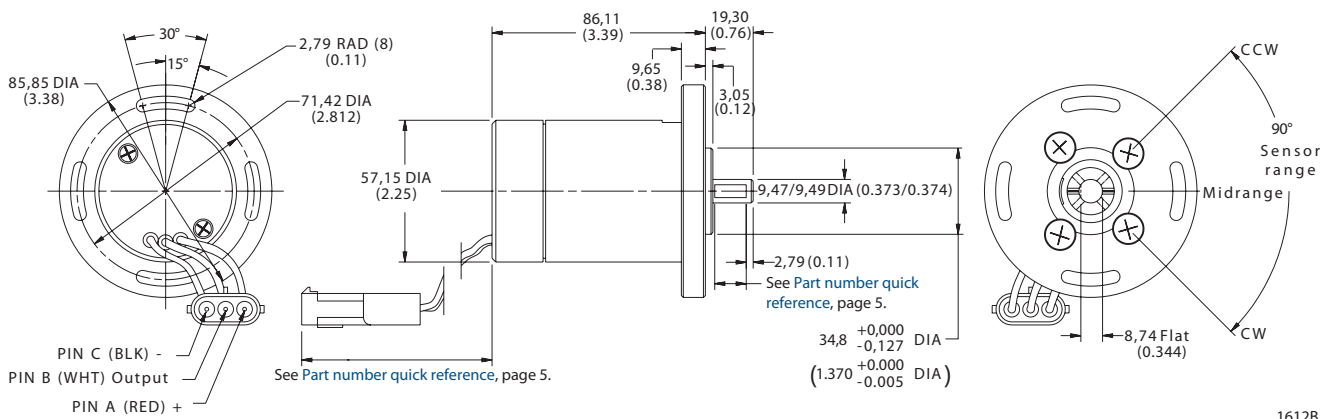
Dimensions

Dimensions of the MCX103B with 90° sensor range in millimeters [inches].



1644A

Dimensions of the MCX103D in millimeters [inches].



1612B

Product Installation**Mounting**

The MCX103B has four 6M x 1M threaded holes on the face of the input shaft end of the sensor.

The MCX103D has a mounting flange, with four slotted holes.

See [Dimensions](#), pages 5 and 6.

Wiring

Electromagnetic and radio frequency interference (EMI/RFI) will be present in varying degrees in any environment that has static electricity, power lines, radio equipment, solenoid switching, etc. To avoid the harmful effects of EMI/RFI, use braided (not foil) shield cables with a minimum of 75% shielding. Terminate the shield at both ends to the connector shell with as short a length as possible. All electrical connections are made to the sensor through a three-pin sealed connector: Pin A (supply voltage), Pin B (output), and Pin C (ground). See [Dimensions](#), pages 5 and 6.

⚠ Caution

Reverse polarity may damage the sensor.

Mating connectors can be ordered from Danfoss, part number K10309 (Metri-Pack) or part number K08620 (Weather Pack). Part number K22335 (Deutsch) or part number 10103018 (Deutsch w/gold contacts).



Products we offer:

- Bent Axis Motors
- Closed Circuit Axial Piston Pumps and Motors
- Displays
- Electrohydraulic Power Steering
- Electrohydraulics
- Hydraulic Power Steering
- Integrated Systems
- Joysticks and Control Handles
- Microcontrollers and Software
- Open Circuit Axial Piston Pumps
- Orbital Motors
- PLUS+1® GUIDE
- Proportional Valves
- Sensors
- Steering
- Transit Mixer Drives

Danfoss Power Solutions is a global manufacturer and supplier of high-quality hydraulic and electronic components. We specialize in providing state-of-the-art technology and solutions that excel in the harsh operating conditions of the mobile off-highway market. Building on our extensive applications expertise, we work closely with our customers to ensure exceptional performance for a broad range of off-highway vehicles.

We help OEMs around the world speed up system development, reduce costs and bring vehicles to market faster.

Danfoss – Your Strongest Partner in Mobile Hydraulics.

Go to www.powersolutions.danfoss.com for further product information.

Wherever off-highway vehicles are at work, so is Danfoss.

We offer expert worldwide support for our customers, ensuring the best possible solutions for outstanding performance. And with an extensive network of Global Service Partners, we also provide comprehensive global service for all of our components.

Please contact the Danfoss Power Solution representative nearest you.

Comatrol

www.comatrol.com

Schwarzmueller-Inverter

www.schwarzmueller-inverter.com

Turolla

www.turollaocg.com

Valmova

www.valmova.com

Hydro-Gear

www.hydro-gear.com

Daikin-Sauer-Danfoss

www.daikin-sauer-danfoss.com

Local address:

Danfoss Power Solutions US Company

2800 East 13th Street
Ames, IA 50010, USA
Phone: +1 515 239 6000

Danfoss Power Solutions GmbH & Co. OHG

Krokamp 35
D-24539 Neumünster, Germany
Phone: +49 4321 871 0

Danfoss Power Solutions ApS

Nordborgvej 81
DK-6430 Nordborg, Denmark
Phone: +45 7488 2222

Danfoss Power Solutions

22F, Block C, Yishan Rd
Shanghai 200233, China
Phone: +86 21 3418 5200

Danfoss can accept no responsibility for possible errors in catalogues, brochures and other printed material. Danfoss reserves the right to alter its products without notice. This also applies to products already on order provided that such alterations can be made without subsequential changes being necessary in specifications already agreed. All trademarks in this material are property of the respective companies. Danfoss and the Danfoss logotype are trademarks of Danfoss A/S. All rights reserved.