



Technical Information

H1 Axial Piston Pumps and Motors Pressure Sensor



Revision History*Table of Revisions*

Date	Changed	Rev
Jan 2014	Converted to Danfoss Layout - DITA CMS	BA
Nov 2010	First edition	AA

Technical Information Pressure Sensor

Contents**Product Overview**

Description.....	4
Dimensions.....	4

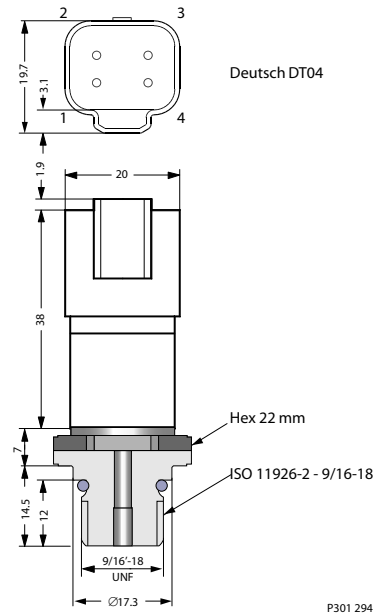
General Data

Pressure Sensor.....	5
----------------------	---

Product Overview
Description

The compact heavy duty OEM pressure transmitter MBS 1250 is designed for use in severe hydraulic applications.

The integrated pulse-snubber offers a high degree of protection against cavitations and liquid hammer, and the well thought out design results in excellent vibration stability and an exceptional robustness. The high degree of EMI protection equips the pressure transmitter to meet the most stringent industrial requirements.

Dimensions


Deutsch DT04	Output signal 10-90% of supply
1	Supply -
2	Supply +
3	Not used
4	Output +

Mating Connector Kit Order Number

Description	Quantity	Ordering number
Mating connector	1	Deutsch® DT06-4S
Wedge lock	1	Deutsch® W4S
Socket contact (16 and 20 AWG/0.5-1.3 mm ²)	3	Deutsch® 0462-201-1631 (female)
Plug for not used pin 3	1	Plug Deutsch 114017
Danfoss mating connector kit	1	11084525

Technical Information Pressure Sensor

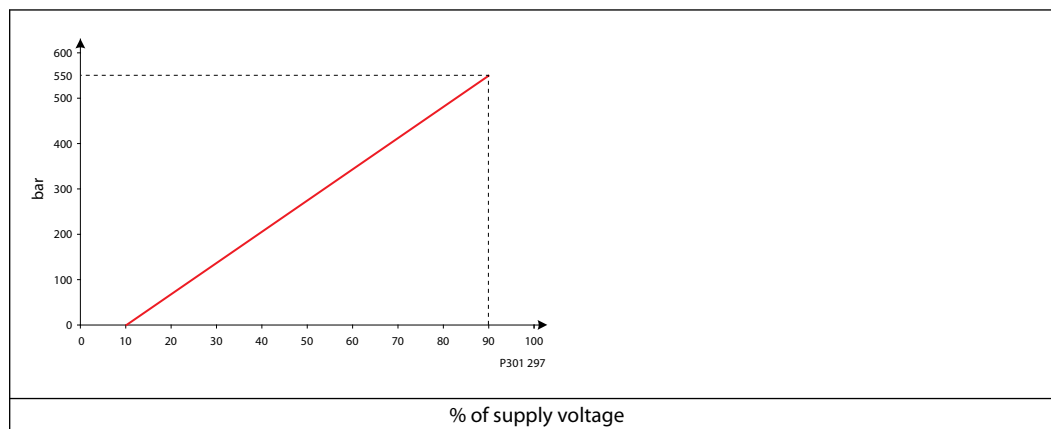
General Data

Pressure Sensor

Technical Data

	Min.	Nom.	Max.	Units	Comments
Pressure range charge pressure	0		55	bar	Part Number 11082093
Pressure range high pressure	0		550	bar	Part Number 11082094
Proof pressure	3x pressure range				
Burst pressure	7x pressure range				
Lifetime	>10 ⁷ pressure cycles				
	0 ... 100% FS				
Output signal range (see below graphic)	10	50	90	% Ratio metric output voltage	
Accuracy			±0.50	% FS	
Stability			±0.10	% /year	
Compensated temperature	-40		125	°C	
Thermal zero point shift			± 0.15	%FS/10K	
Thermal sensivity (span) shift			± 0.15	% FS/10K	
Hysteresis and repeatability			± 0.10	% FS	

Pressure vs. Output Signal



Technical Data

	Min.	Nom.	Max.	Units	Comments
Supply voltage	4.5	5.0	5.5	V DC	Regulated supply voltage must be provided. Sensor has reverse polarity protection and 35V over voltage protection.
Supply - current consumption			4.5	mA	
Load resistance [RL] (to 0V)	10			kΩ	
Output impedance			90	Ω	
Wire fault detection	Short to supply				
Wire fault detection	Short to ground				

General Data
Technical Data (continued)

		Min.	Nom.	Max.	Units	Comments
Protection code IP-class		IP67 and IP69K			IP67 w/o connector installed	
					IP69k depends on mating connector	
EMC-emission test levels		EN 61000-4-8, EN 61000-4-3, EN 61000-4-2, EN 61000-4-6, EN 61000-4-4, EN 61000-4-5, EN 55022, EN 61000-6-3				
EMC-immunity (EMI)	Standard	EN 61000-4-3				
	Strip line	100V/m, 80Mhz-1Ghz				
	Absorber lines chamber	30V/m, 1.4Ghz-2.7Ghz				
ESD	Standard	EN 61000-4-2:				
	Air discharge	15 kV				
	Contact discharge	8 kV				
Automotive electrical transients		Comply with ISO7637				
Operating fluids		Hydraulic fluids according to Manual 520L0463				
Operating temperature range		-40		125	°C	
Ambient temperature range		-40		100	°C	
Storage/transport temperature		-40		125	°C	
Assembly torque		35		38	Nm	



Products we offer:

- Bent Axis Motors
- Closed Circuit Axial Piston Pumps and Motors
- Displays
- Electrohydraulic Power Steering
- Electrohydraulics
- Hydraulic Power Steering
- Integrated Systems
- Joysticks and Control Handles
- Microcontrollers and Software
- Open Circuit Axial Piston Pumps
- Orbital Motors
- PLUS+1® GUIDE
- Proportional Valves
- Sensors
- Steering
- Transit Mixer Drives

Danfoss Power Solutions is a global manufacturer and supplier of high-quality hydraulic and electronic components. We specialize in providing state-of-the-art technology and solutions that excel in the harsh operating conditions of the mobile off-highway market. Building on our extensive applications expertise, we work closely with our customers to ensure exceptional performance for a broad range of off-highway vehicles.

We help OEMs around the world speed up system development, reduce costs and bring vehicles to market faster.

Danfoss – Your Strongest Partner in Mobile Hydraulics.

Go to www.powersolutions.danfoss.com for further product information.

Wherever off-highway vehicles are at work, so is Danfoss.

We offer expert worldwide support for our customers, ensuring the best possible solutions for outstanding performance. And with an extensive network of Global Service Partners, we also provide comprehensive global service for all of our components.

Please contact the Danfoss Power Solution representative nearest you.

Comatrol

www.comatrol.com

Schwarzmueller-Inverter

www.schwarzmueller-inverter.com

Turolla

www.turollaocg.com

Valmova

www.valmova.com

Hydro-Gear

www.hydro-gear.com

Daikin-Sauer-Danfoss

www.daikin-sauer-danfoss.com

Local address:

Danfoss Power Solutions US Company
2800 East 13th Street
Ames, IA 50010, USA
Phone: +1 515 239 6000

Danfoss Power Solutions GmbH & Co. OHG
Krokamp 35
D-24539 Neumünster, Germany
Phone: +49 4321 871 0

Danfoss Power Solutions ApS
Nordborgvej 81
DK-6430 Nordborg, Denmark
Phone: +45 7488 2222

Danfoss Power Solutions (Shanghai) Co. Ltd.
Building #22, No. 1000 Jin Hai Rd
Jin Qiao, Pudong New District
Shanghai, China 201206
Phone: +86 21 3418 5200

Danfoss can accept no responsibility for possible errors in catalogues, brochures and other printed material. Danfoss reserves the right to alter its products without notice. This also applies to products already on order provided that such alterations can be made without subsequential changes being necessary in specifications already agreed. All trademarks in this material are property of the respective companies. Danfoss and the Danfoss logotype are trademarks of Danfoss A/S. All rights reserved.