







Data Sheet

Packaged Hydrostatic Transmissions

BDU, LDU, 3232

Line-ups from Danfoss

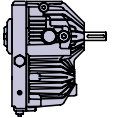
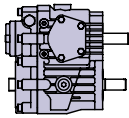
 <p>BDU21H</p>	 <p>LDU20</p>	<p>BDU21H</p> <ul style="list-style-type: none"> • Cost effective with high efficiency, compact design • Optional PTO available <p>LDU20 / LDU32</p> <ul style="list-style-type: none"> • Easy install for Compact Utility Tractor of up to 30/40 PS with external charge • High efficiency, Low noise, Long life • Optional PTO available
 <p>LDU32</p>	 <p>3232</p>	

Application:

Rice Combine



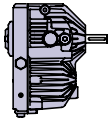
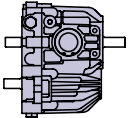
Choice from your needs

 BDU21H	 3232
---	---

Rice Planter



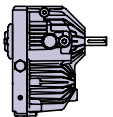
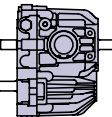
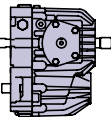
Choice from your needs

 BDU21H	 LDU20
---	--

Tractor (CUT)



Choice from your needs

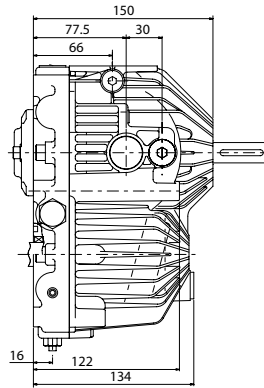
 BDU21H	 LDU20	 LDU32
---	--	--

More Information:

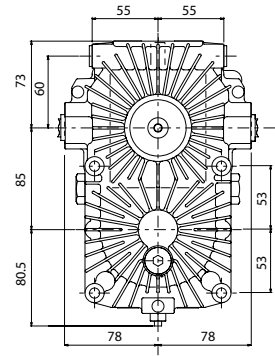
www.powersolutions.danfoss.com

BDU21H, Hydrostatic Transmission

Features		Unit	Value
Displacement		cm ³ /rev	0 - 21.0
Weight, (dry)		kg	10
Input Speed	Rated	min-1	3600
	Maximum		3800
System Pressure	Maximum Working Pressure*	bar	210
	Maximum Pressure		245

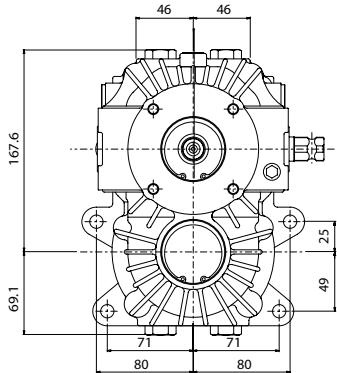
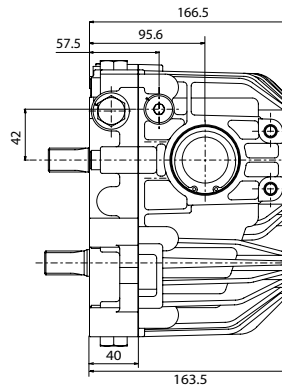


Dimensions (mm)



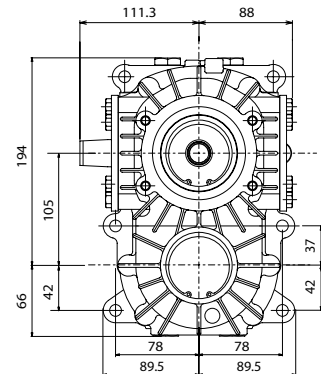
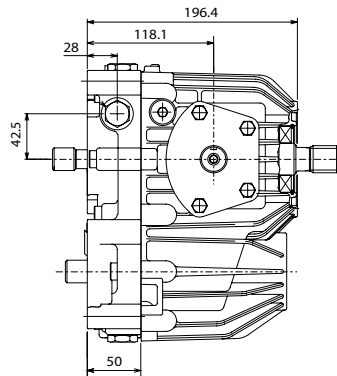
LDU20, Hydrostatic Transmission

Features		Unit	Value
Displacement		cm ³ /rev	0 - 20.0
Weight, (dry)		kg	14.1
Input Speed	Rated	min-1	3400
	Maximum		3800
System Pressure	Maximum Working Pressure*	bar	300
	Maximum Pressure		345



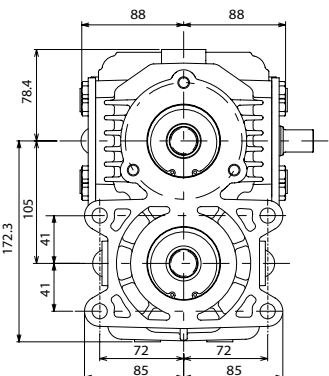
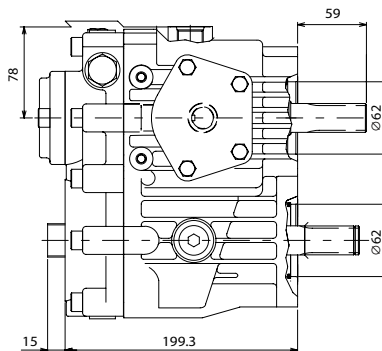
LDU32, Hydrostatic Transmission

Features		Unit	Value
Displacement		cm ³ /rev	0 - 31.5
Weight, (dry)		kg	21
Input Speed	Rated	min-1	3200
	Maximum		3400
System Pressure	Maximum Working Pressure*	bar	300
	Maximum Pressure		345



3232, Hydrostatic Transmission

Features		Unit	Value
Displacement		cm ³ /rev	0 - 31.5
Weight, (dry)		kg	22
Input Speed	Rated	min-1	3200
	Maximum		3400
System Pressure	Maximum Working Pressure*	bar	300
	Maximum Pressure		345



*Applied pressures above maximum working pressure requires Sauer-Danfoss application approval.

Danfoss Power Solutions US Company
2800 East 13th Street
Ames, IA 50010, USA
Phone: +1 515 239 6000

Danfoss Power Solutions GmbH & Co. OHG
Krokamp 35
D-24539 Neumünster, Germany
Phone: +49 4321 871 0

Danfoss Power Solutions ApS
Nordborgvej 81
DK-6430 Nordborg, Denmark
Phone: +45 7488 2222

Danfoss Power Solutions (Shanghai) Co. Ltd.
Building #22, No. 1000 Jin Hai Rd
Jin Qiao, Pudong New District
Shanghai, China 201206
Phone: +86 21 3418 5200

Danfoss can accept no responsibility for possible errors in catalogues, brochures and other printed material. Danfoss reserves the right to alter its products without notice. This also applies to products already on order provided that such alterations can be made without subsequent changes being necessary in specifications already agreed. All trademarks in this material are property of the respective companies. Danfoss and the Danfoss logotype are trademarks of Danfoss A/S. All rights reserved.