

Data Sheet

DDC20 with Implement Pump

Axial Piston Variable Displacement Pump

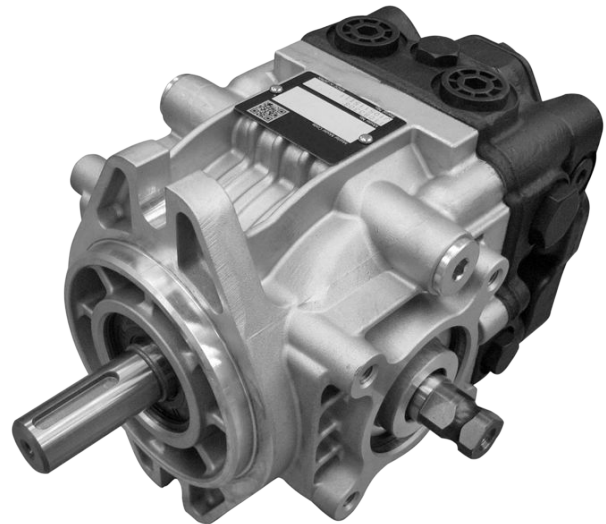
For more than 40 years, Danfoss has been developing state-of-the-art components and systems for mobile machinery used in off-highway operations around the world. We have become a preferred supplier by offering the best of what really matters: The hardware inside your vehicle application.

Implement pump is an integrated charge pump that can be used for the lightly-loaded external work function.

Since implement pump has both external gear pump and charge pump functions, it allows customers to apply more compact sizing than existing system using external gear pump.

The DDC20 with implement pump is a high quality light duty pump which offers expanded functionality, great total efficiency, low noise, and easy installation.

The DDC20 is well suited for turf care applications, compact utility tractors, harvesters, small rollers, and agricultural vehicles.



Features

Designed for Durability and Flexibility

- Compact and light weight aluminum housing
- Single piece swash plate

Comprehensive technical literature online
at powersolutions.danfoss.com

Installation and Packaging Benefits

- Compact design minimizes installation space requirements
- High corner power

Optimized for Direct Displacement Control

Options

- Gerotor implement pump
- Loop bypass valve
- High Pressure Relief Valve (HPRV) and Charge Pressure Relief Valve (CPRV)
- SAE A and SAE B Mounting Flange



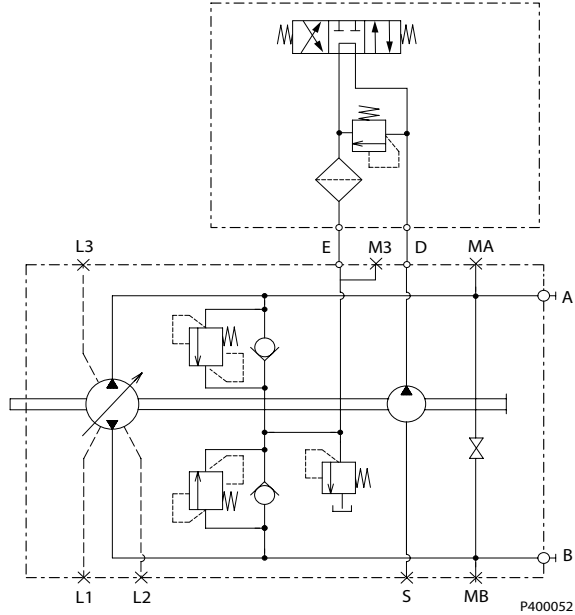
Technical Specifications

Features	Unit	Value
Displacement	cm ³ [in ³]	20 [1.22]
Weight (w/charge pump)	kg [lb]	11 [24.3]
Input Speed	Rated	min ⁻¹ 4000
	Maximum	(rpm) 4500
System Pressure	Max. Working Pressure*	bar [psi] 300 [4350]
	Max. pressure	345 [5004]
	Min. Low Loop	4 [58]
Case Pressure	Rated	bar [psi] 1.5 [21.7]
	Maximum	85 [1230]
Implement Pressure	Maximum Working Pressure**	bar [psi] 70 [1015]
	Maximum Pressure (absolute)	85 [1230]

* Applied pressures above maximum working pressure requires Danfoss application approval.

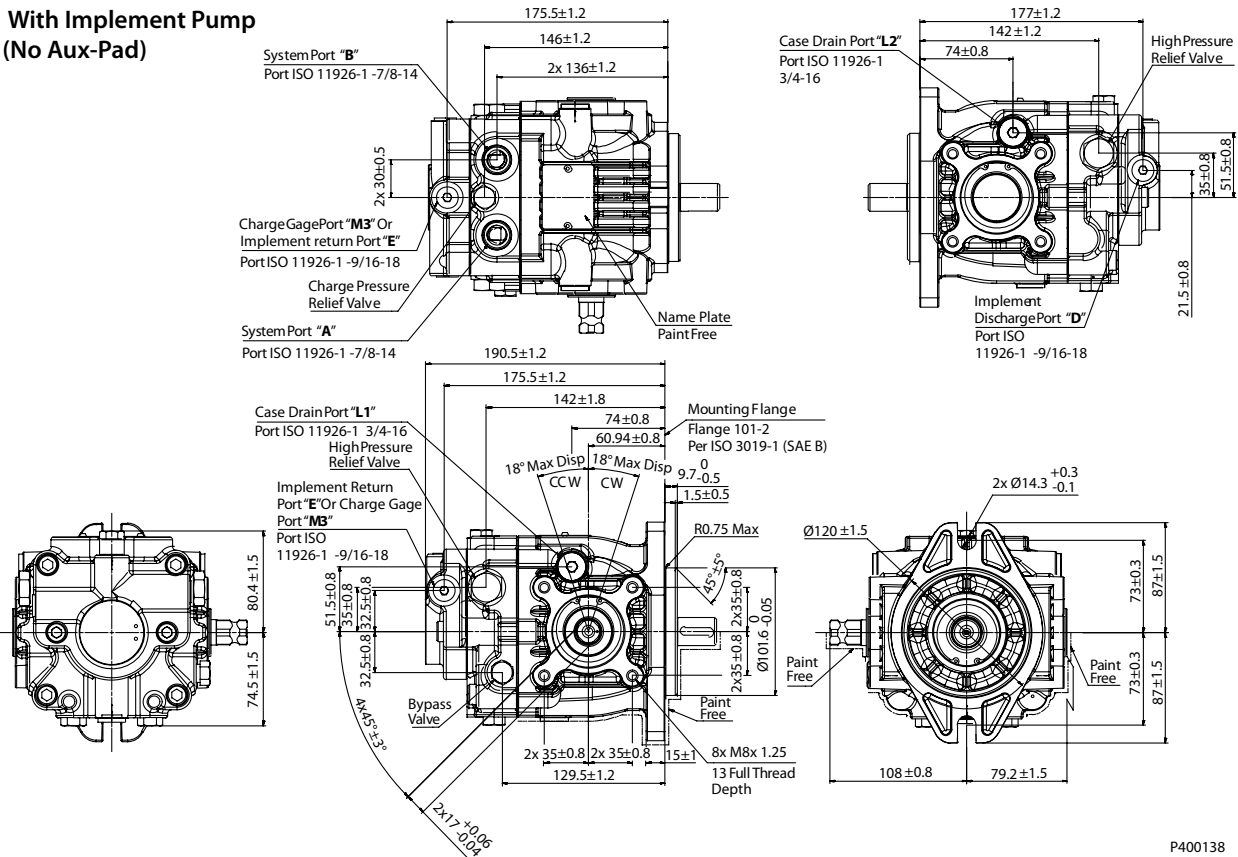
** Continuous operation at absolute implement pump relief pressure = Short term t < 30sec

Schematic



Dimensions

With Implement Pump (No Aux-Pad)



P400138

Danfoss can accept no responsibility for possible errors in catalogues, brochures and other printed material. Danfoss reserves the right to alter its products without notice. This also applies to products already on order provided that such alterations can be made without changes being necessary in specifications already agreed. All trademarks in this material are property of the respective companies. Danfoss and the Danfoss logotype are trademarks of Danfoss A/S. All rights reserved.