

## Data sheet

# Actuator for three point control AMV 438 SU – safety function (spring up)

### Description



AMV 438 SU actuator is used with two and three-way valves type VRB, VRG, VF and VL up to DN 50 diameter.

The actuator has some special features:

- advanced design incorporates load related 'switch-off' to ensure that actuators and valves are not exposed to overload
- Safety function (spring up): In case of power failure or power switch off spring up function retracts actuator stem to end position. Further manual stem positioning is not disabled.

#### Main data:

- Nominal voltage:
  - 24 VAC, 50 Hz/60 Hz
  - 230 VAC, 50 Hz/60 Hz
- Control input signal: 3 point
- Force: 450 N
- Stroke: 15 mm
- Speed: 15 s/mm
- Max. medium temperature: 150 °C
- End-position signals

### Ordering

#### Actuator

Type	Supply voltage	Code No.
AMV 438 SU	24 VAC	<b>082H0122</b>
	230 VAC	<b>082H0123</b>

#### Accessories

Type	Code No.
Additional switches (2x)	<b>082H7015</b>
Additional switches (2x) and potentiometer (10 kΩ)	<b>082H7016</b>
Additional switches (2x) and potentiometer (1 kΩ)	<b>082H7017</b>
Stem heater (for valves DN 15-50)	<b>065Z0315</b>

### Technical data

Power supply	V	24 AC, 230 AC; +10 to -15%
Power consumption	VA	12
Frequency	Hz	50/60
Control input		3-point
Close of force	N	450
Max. stroke	mm	15
Speed	s/mm	15
Max. medium temperature		150
Ambient temperature	°C	0 ... 55
Storage and transport temperature		-40 ... +70
Protection class		I (230 V); III (24 V)
Degree of protection		IP 54
Weight	kg	2.3
<b>CE</b> - marking in accordance with standards		Low Voltage Directive (LVD) 2006/95/EC: EN 60730-1, EN 60730-2-14 EMC Directive 2004/108/EC: EN 61000-6-2, EN 61000-6-3

Installation

**Mechanical**

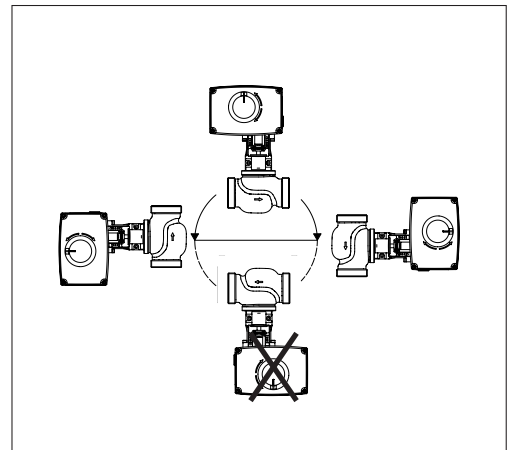
Use 4 mm Allan key (not part of actuator delivery) to mount actuator on the valve. Installation of the valve with the actuator is allowed in horizontal position or upwards. Installation downwards is not allowed.

The actuator must not be installed in an explosive atmosphere, at ambient temperature lower than 0 °C or at ambient temperature higher than 55 °C. It must not be subject to steam jets, water jets or dripping liquid as well.

**Note:** the actuator may be rotated up to 360° with respect to the valve stem by loosening the retaining fixture. Once the actuator is placed, retighten the fixture.

**Electrical**

Electrical connections can be accessed by removing the actuator cover. Two cable gland entries with thread (M20 x 1.5 and M16 x 1.5) are prepared for cable glands.



**Note:** Cable and cable gland used must not compromise the actuator's IP rating, and must ensure the connectors are fully strain relieved. Please observe local rules and regulations as well.

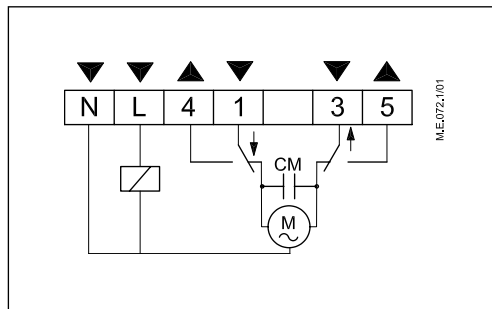
Disposal

The actuator must be dismantled and the elements sorted into various material groups before disposal.

Wiring



**230 VAC version:**  
Do not touch anything on the PCB!  
Do not remove the cover before the power supply is fully switched off.



**Terminals 1, 3:**

Control voltage input from the controller.

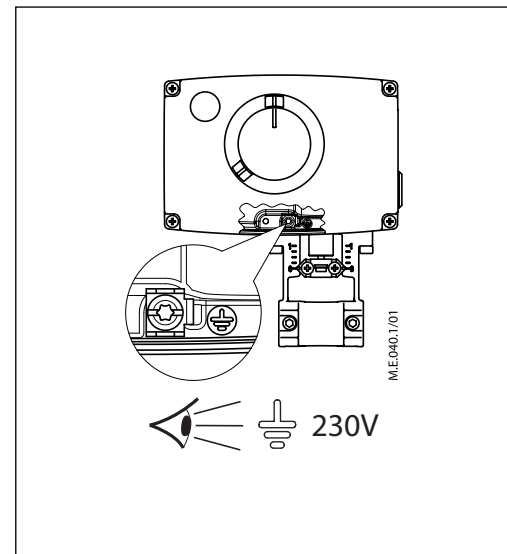
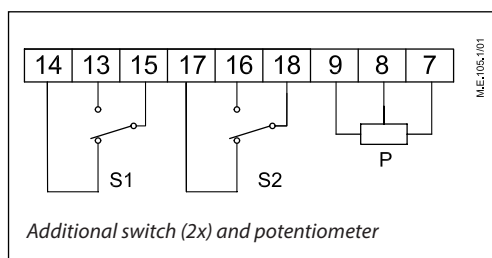
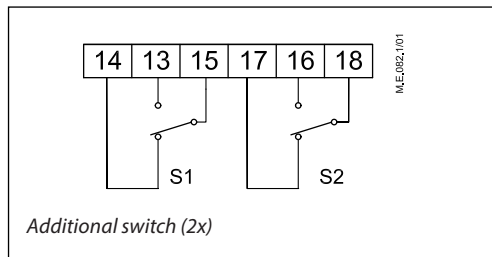
**Terminals 4, 5:**

Output used for position indication or monitoring.

**L**  
Power supply 24 V~ or 230 V~

**N**  
Common (0 V)

**Accessories**



**Commissioning**

Complete the mechanical and electrical installation and perform the necessary checks and tests:

- Apply power
- Apply the appropriate control signal and check that the valve stem direction is correct for the application

The unit is now fully commissioned.

**Manual override**

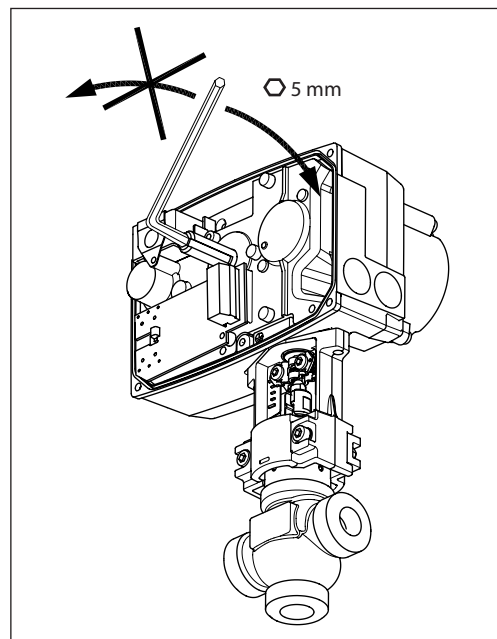
Manual override is done by means of positioning spindle inside the actuator:

- Disconnect power signal
- Remove the actuator cover
- Insert 5 mm Allan key (not part of actuator delivery) into the top of the positioning spindle
- Turn the key against the spring (observe the rotation direction)

To hold a manual override position, the key must be wedged.

After manual override is not needed:

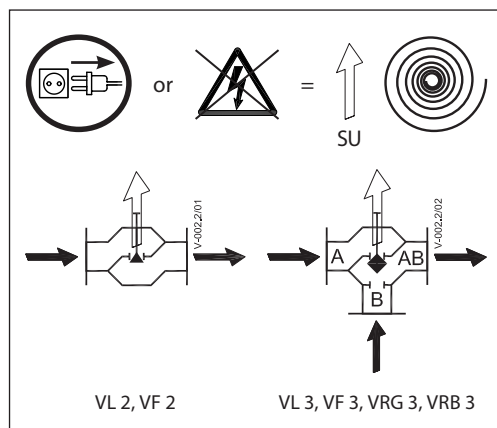
- Restore power signal.



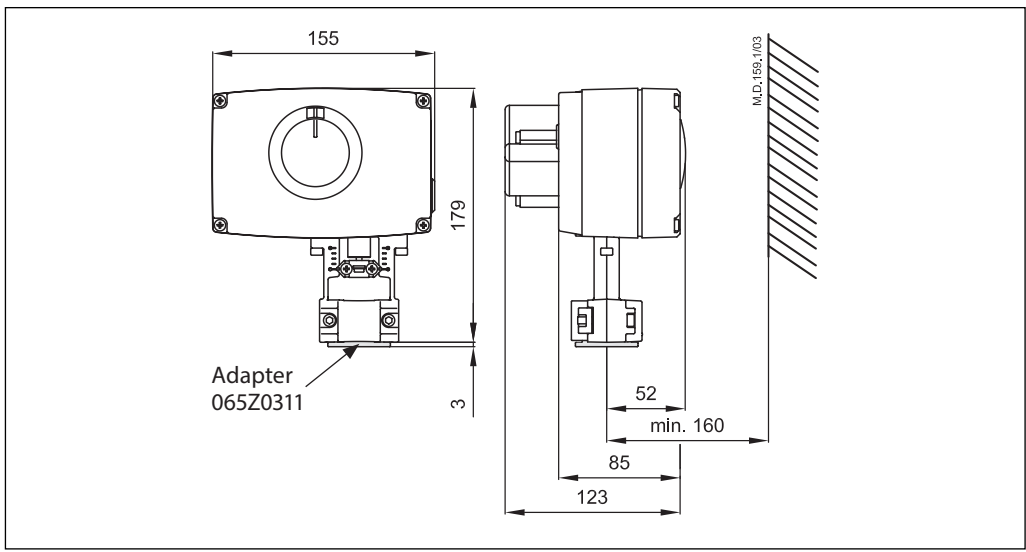
**Safety function**

The safety function will fully close the valve. The safety function unit is factory fitted to the rear of the actuator.

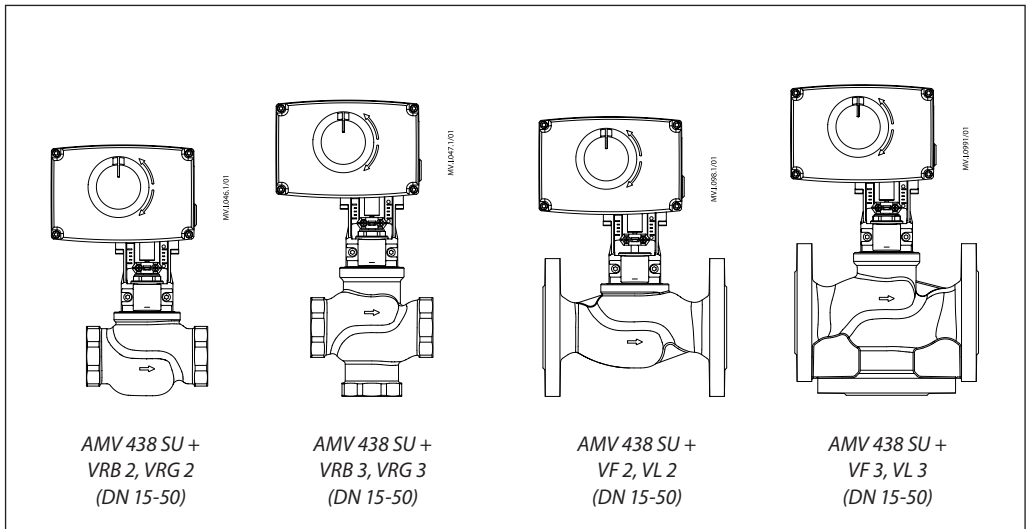
Valve type	Safety action will close port A-AB
VRG, VRB	SU
VL (DN 15-50)	SU
VF (DN 15-50)	SU



Dimensions



Actuator - valve combinations



Danfoss can accept no responsibility for possible errors in catalogues, brochures and other printed material. Danfoss reserves the right to alter its products without notice. This also applies to products already on order provided that such alterations can be made without consequential changes being necessary in specifications already agreed. All trademarks in this material are property of the respective companies. Danfoss and the Danfoss logotype are trademarks of Danfoss A/S. All rights reserved.