



Model AB-QM Pressure Independent Balancing and Control Valve

Actuator Submittal, Proportional AME 13 SU/SD Safety Function Actuator

DATE _____ SPEC. SECTION _____ PAGE _____ OF _____

PROJECT	ARCHITECT/ENGINEER	APPROVALS			
		AGENCY	REPRESENTATIVE	DATE	NOTES
		ARCHITECT			
		ENGINEER			
		CONTRACTOR 1			
		CONTRACTOR 2			
		(OTHER)			
SUPPLIER	CONTRACTOR	NOTE	COMMENT		
ORDER NO.					



Description

The AME 13 SU/SD actuators are low voltage proportional actuators that are available with spring return function that are installed on the pressure independent control valve AB-QM in sizes ranging from 1/2" to 1 1/4". The spring return function of the AME provides a safety open or close of the valve in the event of power failure. Other features of the AME 13 SU/SD include:

- No tool requirement for installation
- Linear characteristic actuator
- Force sensitive switch-off reducing overload to the actuator

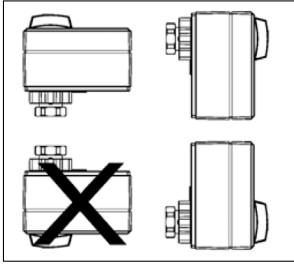
Model	Number	Unit Tag	Qty
AME 13 SU			
	- requires adapter 003Z3960		
AME 13 SD			
	- required spacer 003Z0257		

Code No.	AME 13 SU	AME 13 SD
	082H3044	082G3006
Power supply	24 VAC; +10%...-15%	
Power consumption	9 VA	
Frequency	50 Hz/60 Hz	
Control input	Proportional, 0(2) -10VDC, 0(4) -20mA	
Output signal	0 - 10 VDC	
Close off force	300 N	
Max. actuator travel	5 mm	5.5 mm
Speed	11.75 s/mm	
Safety function speed	10 sec. from full open/close	
Max. medium temperature	266°F (130 °C)	
Ambient temperature	32 ... 131 °F (0 ... 55 °C)	
Degree of protection	IP 54, NEMA 2	
Weight	1.3 lb (0.6 kg)	
- marking in accordance with standards	Low Voltage Directive (LVD) 2006/95/EC: EN 60730-1, EN 60730-2-14 EMC Directive 2004/108/EC: EN 61000-6-2, EN 61000-6-3	

Specification

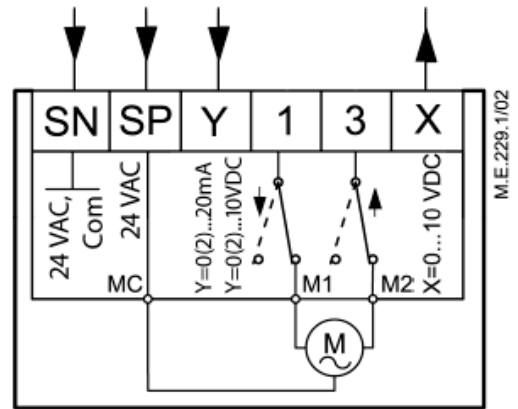
The motorized actuator shall be 24VAC powered and mount to the AB-QM valve body. The actuator shall be capable of ensuring that excessive overload travel of actuator does not occur and have a safety function of either full close or full open in the event of power failure. The operation of the actuator shall be determined based upon a proportional input signal of 0-10VDC, 2-10VDC, 0-20mA, or 4-20mA and in addition be capable of a feedback signal for position indication. The actuator characteristic shall be linear.

Orientation



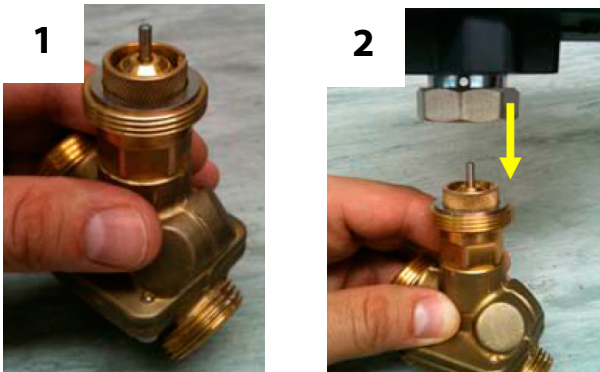
The actuator should be mounted with the valve stem in either horizontal position or pointing upwards. The actuator is fixed to the valve body by means of a mounting ring which is tightened by hand and requires no additional tools for mounting. Prior to wiring the valve it is recommended that the actuator is mounted.

Wiring



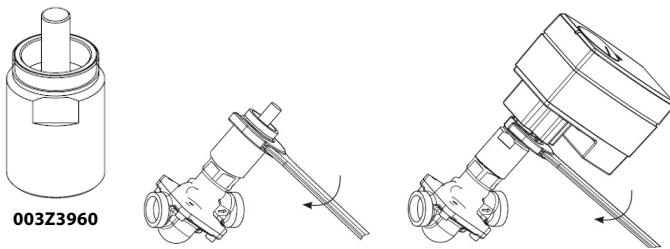
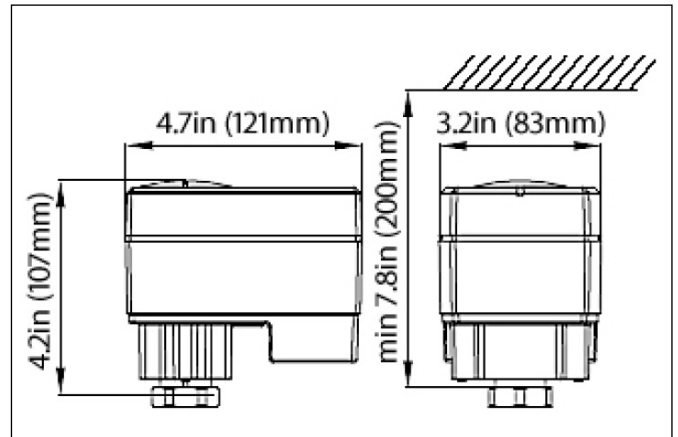
- SP** 24 VAC/DCPower supply
- SN** NeutralCommon
- Y** 0(2) to 10VDCInput Signal
0(4) to 20mA
- X** 0(2) to 10VDCOutput signal

Mounting



AME 13 SD (**082G3006**):
A spacer (prt# **003Z0257**) is required to be placed between the AB-QM valve body and the motor actuator. Then the actuator is tightened to the valve.

Dimensions



AME 13 SU (**082H3044**):
An adapter (prt# **003Z3960**) is required to be installed onto the AB-QM valve prior to the installation of the actuator. Then the actuator is tightened to the valve.