



Model AB-QM Pressure Independent Balancing and Control Valve

Actuator Submittal, 3-point Floating AMV 13 SU/SD Safety Function Actuator

DATE _____ SPEC. SECTION _____ PAGE _____ OF _____

PROJECT	ARCHITECT/ENGINEER	APPROVALS			
		AGENCY	REPRESENTATIVE	DATE	NOTES
SUPPLIER	CONTRACTOR	ARCHITECT			
		ENGINEER			
		CONTRACTOR 1			
		CONTRACTOR 2			
		(OTHER)			
		NOTE	COMMENT		
ORDER NO.					



Description

The AMV 13 SU/SD actuators are low voltage 3-point floating actuators that are available with spring return function that are installed on the pressure independent control valve AB-QM. The spring return function of the AMV provides a safety open or close of the valve in the event of power failure. Other features of the AMV 13 SU/SD include:

- No tool requirement for installation
- Selectable linear or equal percentage actuator characteristic
- Force sensitive switch-off reducing overload to the actuator

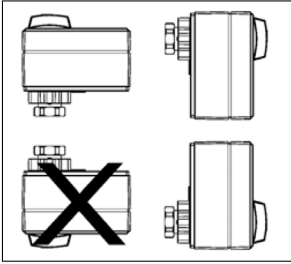
Model	Number	Unit Tag	Qty
AMV13 SU			
- requires adapter 003Z3960			
AMV13 SD			
- required spacer 003Z0257			

Code No.	AMV 13 SU	AMV 13 SD
	082H3043	082G3004
Power supply	24 VAC; +10%...-15%	
Power consumption	7 VA	
Frequency	50 Hz/60 Hz	
Control input	3-point floating	
Output signal	4&5 position indication or monitoring	
Close off force	300 N	
Max. actuator travel	5 mm	5.5 mm
Speed	14 s/mm	
Safety function speed	10 sec. from full open/close	
Max. medium temperature	266°F (130 °C)	
Ambient temperature	32 ... 131 °F (0 ... 55 °C)	
Degree of protection	IP 54, NEMA 2	
Weight	1.3 lb (0.6 kg)	
CE - marking in accordance with standards	Low Voltage Directive (LVD) 2006/95/EC: EN 60730-1, EN 60730-2-14 EMC Directive 2004/108/EC: EN 61000-6-2, EN 61000-6-3	

Specification

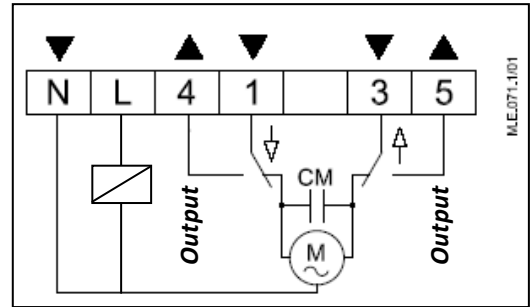
The motorized actuator shall be 24VAC powered and mount to the AB-QM valve body. The actuator shall be capable of ensuring that excessive overload travel of actuator does not occur. The operation of the actuator shall be determined based upon a 3-point floating signal and be capable of a feedback position indication. The actuator shall also have the option of valve flow adjustment if the equal percentage characteristic is selected.

Orientation



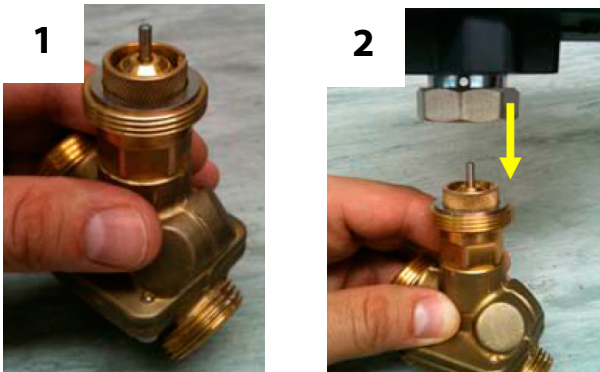
The actuator should be mounted with the valve stem in either horizontal position or pointing upwards. The actuator is fixed to the valve body by means of a mounting ring which is tightened by hand and requires no additional tools for mounting. Prior to wiring the valve it is recommended that the actuator is mounted.

Wiring



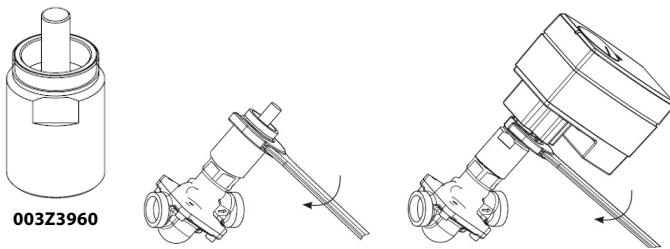
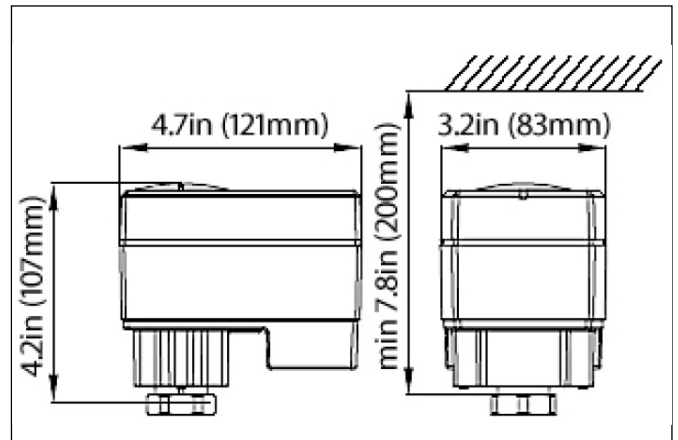
- L** 24 VAC/DC Power supply
- N** Neutral Common
- 1, 3** Control voltage input from controller
- 4, 5** Output used for position indication or monitoring

Mounting



AMV 13 SD (082G3004):
A spacer (prt# **003Z0257**) is required to be placed between the AB-QM valve body and the motor actuator. Then the actuator is tightened to the valve.

Dimensions



AMV 13 SU (082H3043):
An adapter (prt# **003Z3960**) is required to be installed onto the AB-QM valve prior to the installation of the actuator. Then the actuator is tightened to the valve.