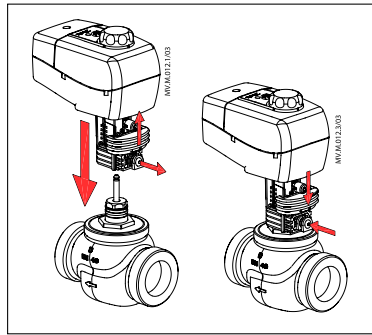
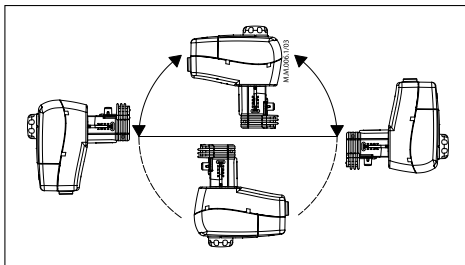


Mounting

No tool is required to mount the actuator to the valve. The mounting mechanism is integrated into the design of the actuator.



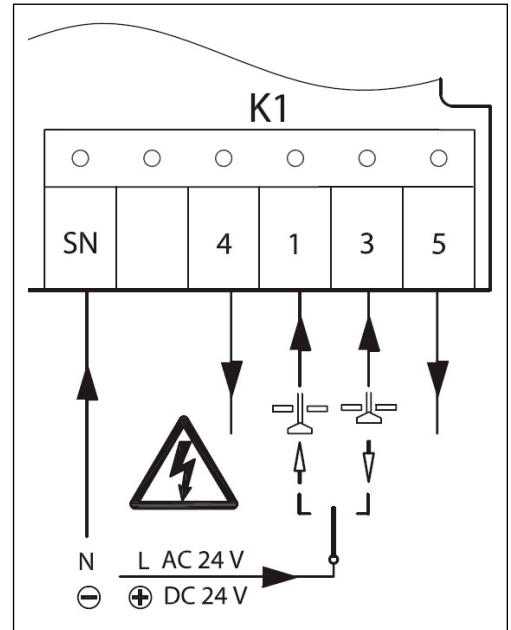
Orientation



Installation of the valve with the actuator is allowed in a horizontal or pointing in an upwards position. The installation of the actuator pointing down is not allowed.

The actuator may be rotated 360° with respect to the valve's mounting base stem by loosening the mounting mechanism. Once properly rotated, re-engage the mounting mechanism.

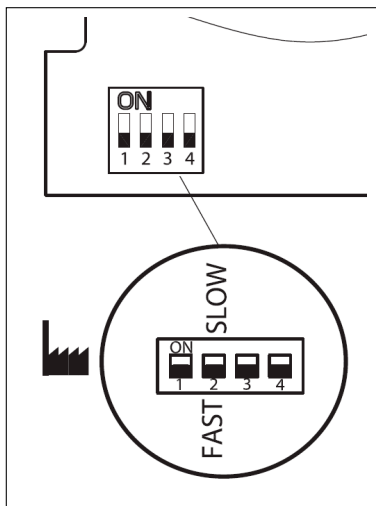
Wiring



- SN** NeutralCommon
- 1, 3** Open valve, input signal, 24V
- 1, 3** Close valve, input signal, 24V
- 4, 5** Output position indication

DIP switches

- **SW 1:** Not used
- **SW 2:** Input signal range selector
 - 0-10 V / 2-10 V
 - 0-20 mA / 4-20 mA
- **SW 3:** Not used
- **SW 4:** Not used



Dimensions

