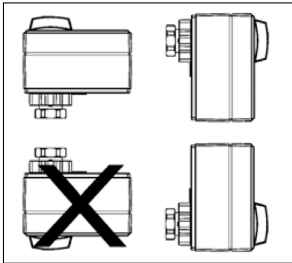
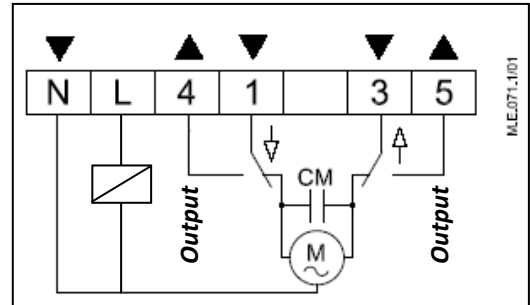


Orientation



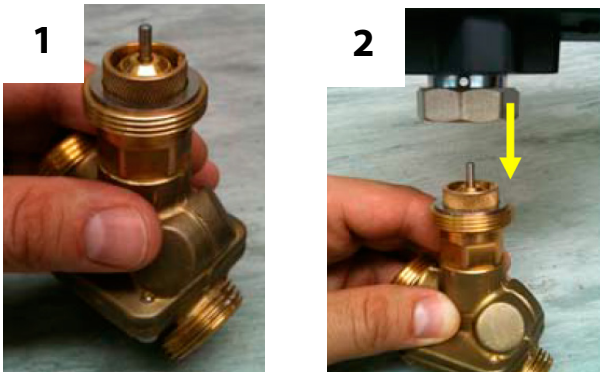
The actuator should be mounted with the valve stem in either horizontal position or pointing upwards. The actuator is fixed to the valve body by means of a mounting ring which is tightened by hand and requires no additional tools for mounting. Prior to wiring the valve it is recommended that the actuator is mounted.

Wiring



- L** 24 VAC/DC Power supply
- N** Neutral Common
- 1, 3** Control voltage input from controller
- 4, 5** Output used for position indication or monitoring

Mounting



AME 10 (082G3005):
A spacer (prt# 003Z0257) is required to be placed between the AB-QM valve body and the motor actuator. Then the actuator is tightened to the valve.

Dimensions

