

**Three Point Controlled Electric Actuators
For AB-QM, Pressure Independent Control Valve
AMV 10, AMV 13 Series**



Features:

The AMV 10 and AMV 13 actuators are low voltage 3-point floating actuators that are available with or without spring return function that are installed on the pressure independent control valve AB-QM. The spring return function of the AMV provides a safety open or close of the valve in the event of power failure.

In addition to basic functions such as manual control and position indication, the actuators are also equipped with force sensitive switch-off to ensure that actuators and valves are not exposed to overload. This function automatically ensures the self-adjustment of the end positions on the valve.

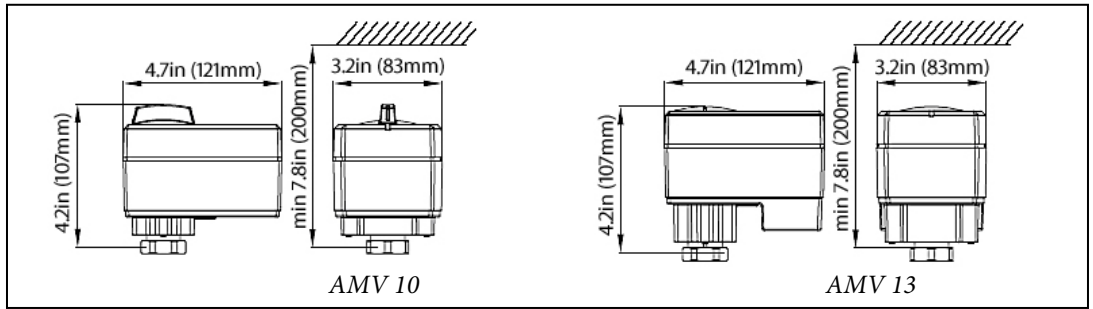
Ordering:

Code No.	Style	Description	Signal	Run Time
082G3002	AMV 10	Electronic actuator	3-point, 3 wire	14 s/mm
003Z0257	Spacer required for AMV 10			
082G3004	AMV 13SD	Electric actuator w/ safety spring down function		
003Z0257	Spacer required for AMV 13SD			
082H3043	AMV 13SU	Electric actuator w/ safety spring up function		
003Z3960	Adapter required for AMV13SU			

Technical Data:

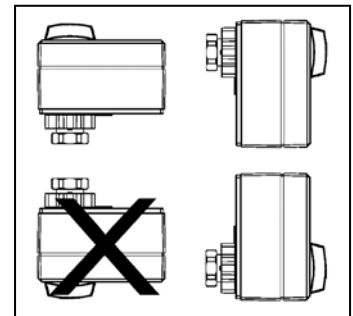
Type	AMV 10	AMV 13SD	AMV 13SU
Power supply	24 VAC, +10...-15%		
Power consumption	2 VA	7 VA	7 VA
Frequency	50 Hz / 60 Hz		
Control input/output	3-point, ter. 4&5 position indication or monitoring		
Spring return function	-	Spring closed	Spring open
Actuator force	67.4 lbf (300N)		
Max. stroke	5mm		5.5mm
Speed	14 s/mm		
Max. medium temperature	266°F (130°C)		
Enclosure rating	NEMA 2		
Weight	1.3 lb (0.6 kg)	1.8 lb (0.8 kg)	

Dimensions:

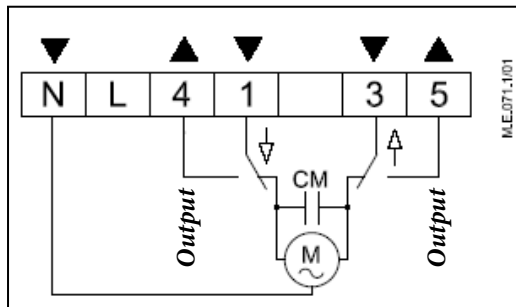


Installation
 Orientation:

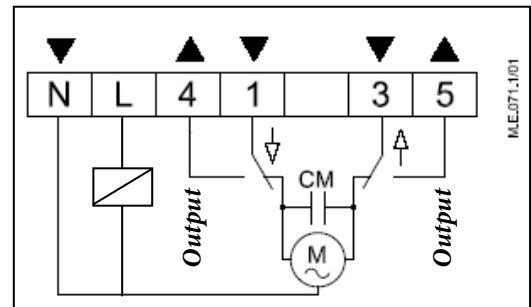
The actuator should be mounted with the valve stem in either horizontal position or pointing upwards. The actuator is fixed to the valve body by means of a mounting ring which is tightened by hand and requires no additional tools for mounting. Prior to wiring the valve it is recommended that the actuator is mounted.



Electrical Wiring:



AMV10



AMV13

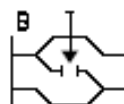
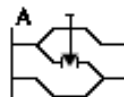
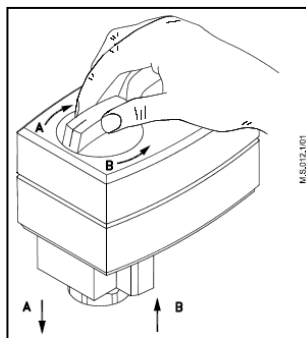
L: Supply power 24Vac

N: Common

Terminal 1 & 3: Control voltage input from controller

Terminal 4 & 5: Output used for position indication or monitoring

Manual Override:



Danfoss can accept no responsibility for possible errors in printed materials and reserves the right to alter its products without notice. All trademarks in this material are property of the respective companies. Danfoss and Danfoss logotype are trademarks of Danfoss A/S. All right reserved.