

Datasheets

SC12CLX.2 LBP Compressor R404A/R507, 115V 60Hz

General

Code number	104L1686
Approvals	UL984
Compressors on pallet	80

Application

Application	LBP			
Frequency	Hz	50	60	
Evaporating temperature	°F	-	-49 to 14	
Voltage range	V	-	95 - 135	
Max. condensing temperature continuous (short)	°F	-	131 (140)	
Max. winding temperature continuous (short)	°F	-	257 (275)	

Cooling requirements

Frequency	Hz	50			60		
Application		LBP	MBP	HBP	LBP	MBP	HBP
90°F		-	-	-	F ₂	-	-
100°F		-	-	-	F ₂	-	-
110°F		-	-	-	F ₂	-	-
Remarks on application:							

Motor

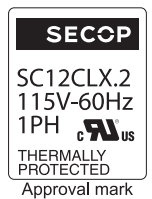
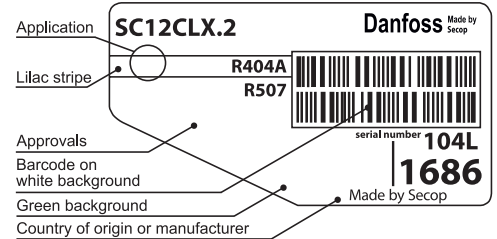
Motor type	CSIR			
LRA (rated after 4 sec. UL984), HST LST	A	41.9	-	
Cut in Current, HST LST	A	41.9	-	
Resistance, main start winding (77°F)	Ω	1.0	4.3	

Design

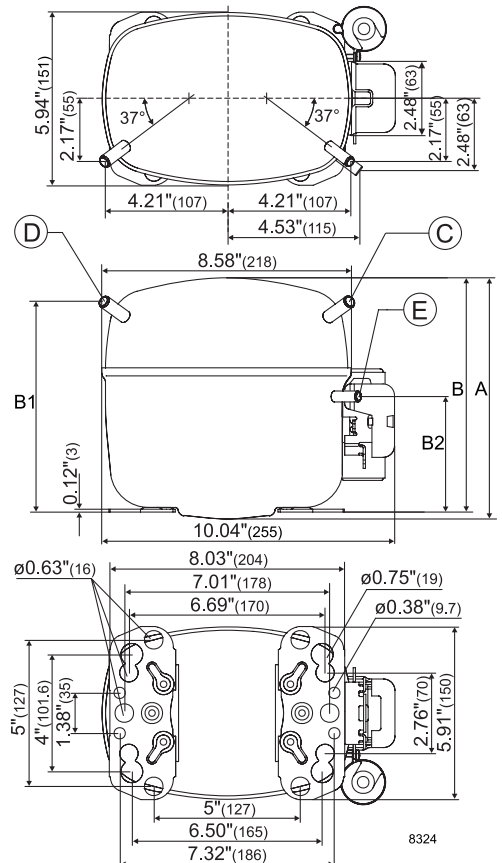
Displacement	cu.in	0.78
Oil quantity (type)	fl.oz.	18.6 (polyolester)
Maximum refrigerant charge	oz.	45.8
Free gas volume in compressor	fl.oz.	51.1
Weight without electrical equipment	lbs.	27.7

Dimensions

Height	inch	A	8.23
		B	8.00
		B1	7.20
		B2	3.93
Suction connector	location, I.D. in. angle	C	0.378-0.385 37°
	material comment		Copper Rubber plug
Process connector	location, I.D. in. angle	D	0.252-0.259 37°
	material comment		Copper Rubber plug
Discharge connector	location, I.D. in. angle	E	0.252-0.259 37°
	material comment		Copper Rubber plug
Oil cooler connector	location, I.D. in. angle	F	-
	material comment		-
Remarks:			



- S = Static cooling normally sufficient
- O = Oil cooling
- F₁ = Fan cooling 1.5 m/s (compressor compartment temperature equal to ambient temperature)
- F₂ = Fan cooling 3.0 m/s necessary
- SG = Suction gas cooling normally sufficient
- = not applicable in this area



ASHRAE LBP

115V, 60Hz, fan cooling F₂

Evap. temp. in °F	-49	-40	-30	-20	-13	-10	0	10	14	20	30	40	41	45	50	59	68
Capacity in BTU/h	35	517	1095	1738	2237	2466	3299	4260	4685								
Power cons. in W	161	291	417	530	604	634	735	837	879								
Current cons. in A	5.04	5.44	5.96	6.54	7.00	7.20	7.93	8.73	9.07								
EER in BTU/Wh	0.21	1.78	2.62	3.28	3.71	3.89	4.49	5.09	5.33								

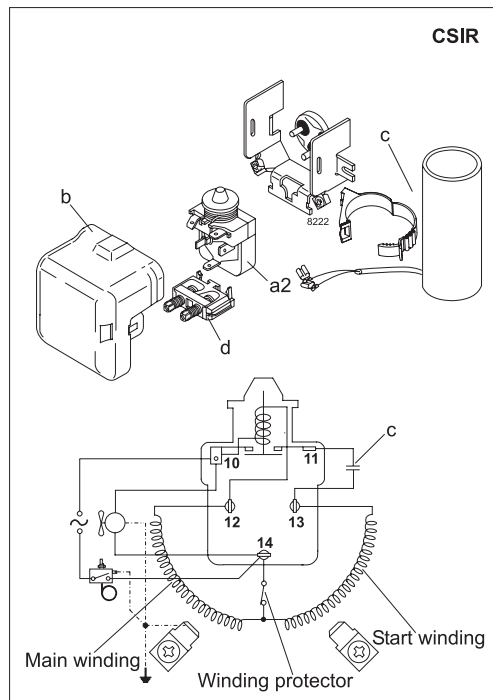
ASHRAE LBP*

115V, 60Hz, fan cooling F₂

Evap. temp. in °F	-49	-40	-30	-20	-13	-10	0	10	14	20	30	40	41	45	50	59	68
Capacity in BTU/h	481	898	1420	2020	2496	2716	3525	4464	4880								
Power cons. in W	258	353	448	534	593	618	705	799	840								
Current cons. in A	5.41	5.70	6.10	6.57	6.94	7.11	7.72	8.41	8.70								
EER in BTU/Wh	1.86	2.54	3.17	3.78	4.21	4.39	5.00	5.59	5.81								

EN 12900 Household (CECOMAF)* 115V, 60Hz, fan cooling F₂

Evap. temp. in °F	-49	-40	-30	-20	-13	-10	0	10	14	20	30	40	41	45	50	59	68
Capacity in BTU/h	363	731	1188	1711	2123	2314	3011	3819	4176								
Power cons. in W	245	346	444	535	595	621	709	804	845								
Current cons. in A	5.35	5.66	6.08	6.57	6.95	7.12	7.76	8.46	8.76								
EER in BTU/Wh	1.48	2.11	2.67	3.20	3.57	3.72	4.24	4.75	4.94								



Accessories for	SC12CLX.2	Figure	Code number	Test conditions	ASHRAE LBP	ASHRAE LBP*	EN 12900/CECOMAF*
PTC starting device	1/4 in. spade connect.	-	-	Condensing temp.	130°F	110°F	113°F
	3/16 in. spade connect.		-	Ambient temperature	90°F	90°F	90°F
Starting relay	1/4 in. spade connect.	a2	117U6020	Suction gas temp.	90°F	90°F	90°F
Cover		b	103N2008	Liquid temperature	90°F	90°F	no subcooling
Start. capacitor 240 µF	1/4 in. spade connect.	c	117U5023	Mounting accessories			
Cord relief		d	103N1004	Code number			
Protection screen for PTC		-	-	Bolt joint for one comp.	Ø: 5/8 in.	118-1917	
				Bolt joint in quantities	Ø: 5/8 in.	118-1918	
				Snap-on in quantities	Ø: 5/8 in.	118-1919	

Danfoss can accept no responsibility for possible errors in catalogues, brochures and other printed material. Danfoss reserves the right to alter its products without notice. This also applies to products already on order provided that such alterations can be made without consequential changes being necessary in specifications already agreed. All trademarks in this material are property of the respective companies. Danfoss and the Danfoss logotype are trademarks of Danfoss A/S. All rights reserved.