

Installation Guide

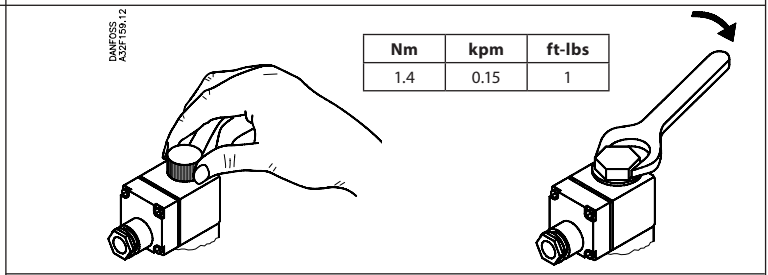
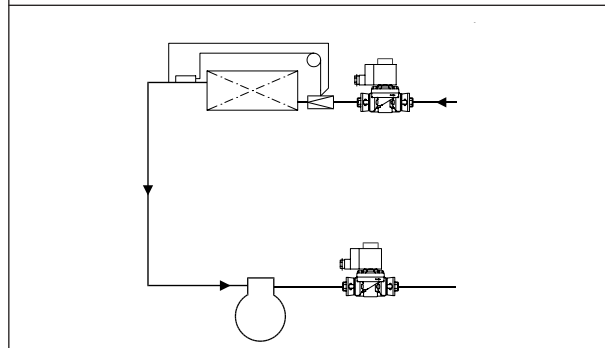
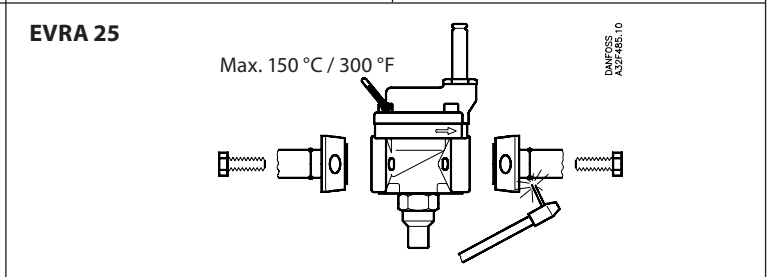
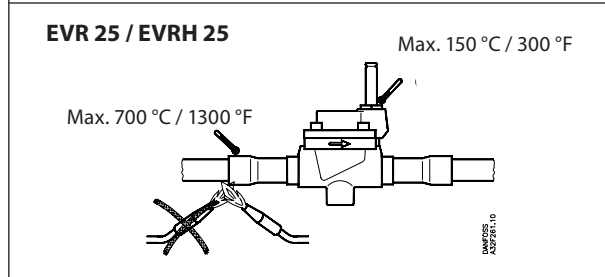
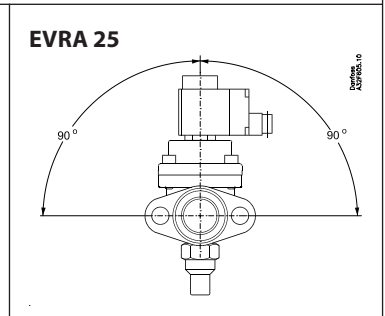
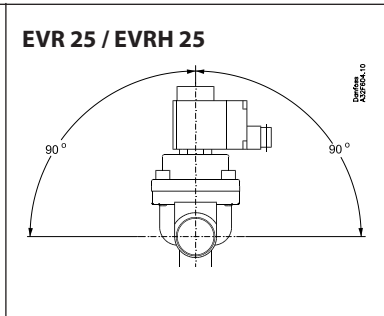
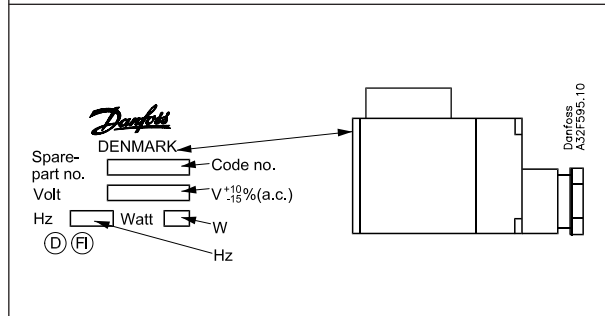
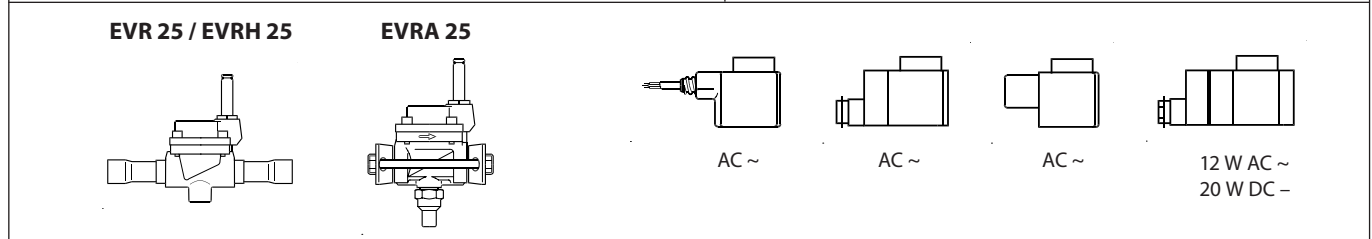
Solenoid valve

Types EVR 25, EVRA 25, EVRH 25

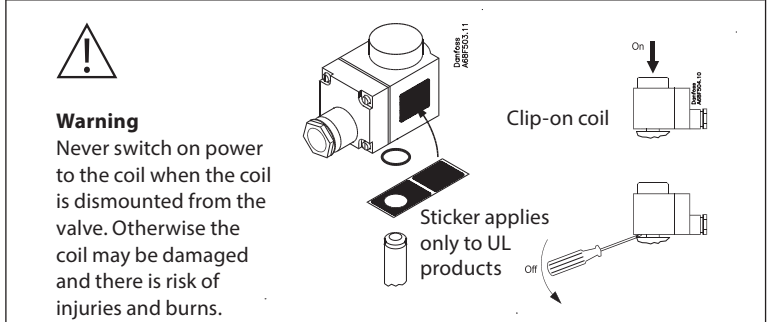
032R9520

032R9520

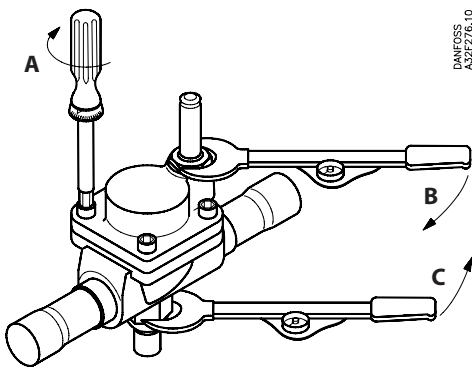
<p>Refrigerants:</p> <p>EVR: R22/R407C, R404A/R507, R410A, R134a, R407A, R23.</p> <p>EVRA: R717, R22/R407C, R404A/R507, R410A, R134a, R407A, R23.</p> <p>EVRH: R744, R22/R407C, R404A/R507, R410A, R134a, R407A, R23.</p> <p>For other refrigerants, contact Danfoss.</p>	<p>Max. working pressure:</p> <p>EVR: PS / MWP = 32 bar / 460 psig</p> <p>EVRA: PS / MWP = 42 bar / 610 psig</p> <p>EVRH: PS / MWP = 45.2 bar / 655 psig</p>
	<p>Medium temperature:</p> <p>Min. -40 °C / -40 °F</p> <p>Max. 105 °C / 220 °F</p>
	<p>Max. opening diff. pressure (MOPD): Coil dependent</p>



10 W AC		t _{max.} 80 °C / 175 °F
10 / 12 W AC		t _{max.} 80 °C / 175 °F
20 W DC		t _{max.} 50 °C / 120 °F



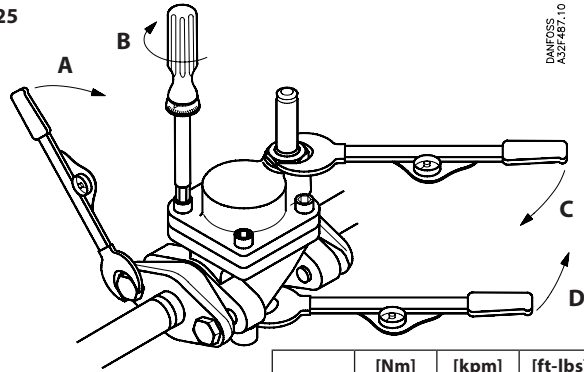
EVR 25 / EVRH 25



DANFOSS
A32F78.10

	[Nm]	[kpm]	[ft-lbs]
A	30	3.0	22.5
B	50	5.0	37
C	30	3.0	22.5

EVRA 25



DANFOSS
A32F467.10

	[Nm]	[kpm]	[ft-lbs]
A	60	6.0	45.0
B	30	3.0	22.5
C	50	5.0	37
D	30	3.0	22.5

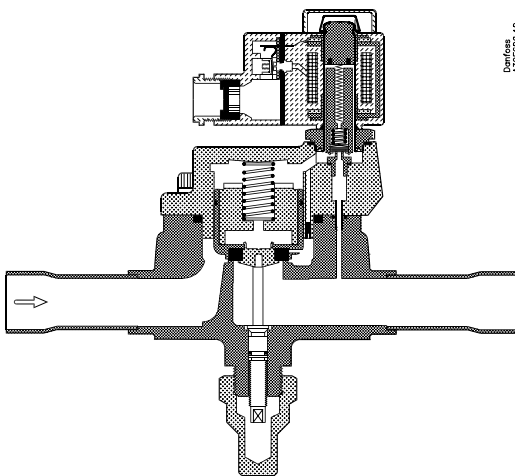


The manual opener of EVRA 25 is intended to be activated only during initial pressure testing of the refrigeration system.

After pressure testing or service-related manual forced opening of the manual opener the spindle **must** be turned fully back to back-seated position to avoid any packing gland leakage.

Furthermore it is essential that the sealing cap is properly reinstalled. This will eliminate any risk of leakage from the manual opener.

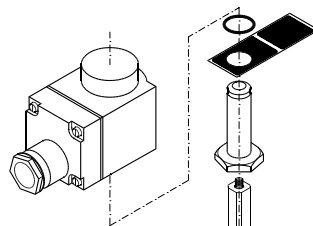
EVR 25 / EVRH 25



Danfoss
A32F68.10

EVR 25 / EVRH 25

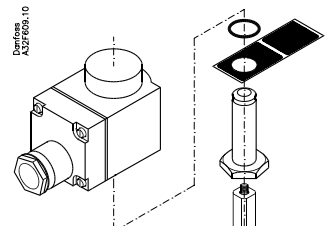
Sticker applies only to UL products



Danfoss
A32F68.10

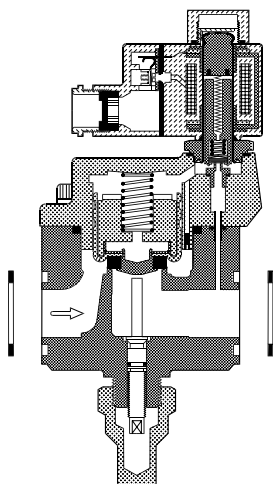
EVRA 25

Sticker applies only to UL products



Danfoss
A32F68.10

EVRA 25 (NC)



DANFOSS
A32F79.11

