

Data sheet

Pressure transmitter for industrial applications

MBS 4500



The high accuracy pressure transmitter MBS 4500 is designed for use in almost all industrial applications, and offers a reliable pressure measurement, even under harsh environmental conditions.

The flexible pressure transmitter programme covers a 4 – 20 mA output signal, absolute or gauge (relative) versions, measuring ranges from 0 – 1 to 0 – 600 bar zero and span adjustment. A rotatable plug connection and a wide range of pressure connections.

Excellent vibration stability, robust construction, and a high degree of EMC / EMI protection equip the pressure transmitter to meet the most stringent industrial requirements.

Features

- Designed for use in severe industrial environments
- Enclosure and wetted parts of acid-resistant stainless steel (AISI 316L)
- Pressure ranges in relative (gauge) or absolute from 0 up to 600 bar
- Output signal: 4 – 20 mA
- A wide range of pressure connections
- Temperature compensated and laser calibrated
- Accuracy 0.5% FS
- Zero and span adjustment

Technical data
Performance (EN 60770)

Accuracy (incl. non-linearity, hysteresis and repeatability)	≤ ± 0.2% FS (typ.)	
	≤ ± 0.5% FS (max.)	
Non-linearity BFSL (conformity)	≤ ± 0.2% FS	
Hysteresis and repeatability	≤ ± 0.1% FS	
Thermal zero point shift	≤ ± 0.1% FS/10 K (typ.)	
	≤ ± 0.2% FS/10 K (max.)	
Thermal sensitivity (span) shift	≤ ± 0.1% FS/10 K (typ.)	
	≤ ± 0.2% FS/10 K (max.)	
Response time	< 4 ms	
Overload pressure	6 × FS (max. 1500 bar)	
Burst pressure	6 × FS (max. 2000 bar)	
Durability, P: 10 – 90% FS	> 10 × 10 ⁶ cycles	
Zero point adjustment	0 – 1 to 0 – 10 bar measuring range	-5 – 20% FS
	0 – 16 to 0 – 40 bar measuring range	-5 – 10% FS
	0 – 60 to 0 – 600 bar measuring range	-2.5 – 5% FS
Span adjustment	0 – 1 to 0 – 600 bar measuring range	-5 – 5% FS

Electrical specifications

Nom. output signal (short-circuit protected)	4 – 20 mA
Supply voltage [U _B], polarity protected	10 – 30 V DC
Supply voltage dependency	≤ ± 0.1% FS/10 V
Current limitation (linear output signal up to 1.5 × rated range)	28 mA (typ.)
Load [R _L] (load connected to 0 V)	$R_L \leq \frac{(U_B - 10 V)}{0.02 A} [\Omega]$

Environmental conditions

Sensor temperature range	Normal	-40 – 85 °C	
Medium temperature range		115 – (0.35 × Ambient temp.)	
Ambient temperature range		-40 – 85 °C	
Compensated temperature range		0 – 80 °C	
Transport / Storage temperature range		-50 – 85 °C	
EMC – Emission		EN 61000-6-3	
EMC – Immunity		EN 61000-6-2	
Insulation resistance		> 100 MΩ at 100 V	
Mains frequency test		Based on SEN 361503	
Vibration stability	Sinusoidal	15.9 mm-pp, 5 Hz – 25 Hz	IEC 60068-2-6
		20 g, 25 Hz – 2 kHz	
	Random	7.5 g _{rms} , 5 Hz – 1 kHz	IEC 60068-2-64
Shock resistance	Shock	500 g/1 ms	IEC 60068-2-27
	Free fall	1 m	IEC 60068-2-32
Enclosure (IP protection fulfilled together with mating connector)		IP65	

Technical data
(continued)
Mechanical characteristics

Materials	Wetted parts	EN 10088-1; 1.4404 (AISI 316 L)
	Enclosure	EN 10088-1; 1.4404 (AISI 316 L)
	Electrical connections	Glass filled polyamid, PA 6.6
Net weight (depending on pressure connection)		0.2 – 0.3 kg

Ordering standard

MBS 4500

Measuring range	
0 – 1.0 bar	10
0 – 1.6 bar	12
0 – 2.5 bar	14
0 – 4.0 bar	16
0 – 6.0 bar	18
0 – 10 bar	20
0 – 16 bar	22
0 – 25 bar	24
0 – 40 bar	26
0 – 60 bar	28
0 – 100 bar	30
0 – 160 bar	32
0 – 250 bar	34
0 – 400 bar	36
0 – 600 bar	38

Gasket / O-ring material

0	No gasket
2	Gasket, NBR -40° – 85°C
4	O-ring, NBR -40° – 85°C

Pressure connection

A B 0 4	G ¼ A (EN 837)
A B 0 6	G ⅜ A (EN 837)
A B 0 8	G ½ A (EN 837)
A C 0 4	¼ – 18 NPT
A C 0 8	½ – 14 NPT
G B 0 4	DIN 3852-E-G ¼; Gasket: DIN 3869-14 NBR

Electrical connection
 Figures refer to plug and standard PIN configuration - see page 5
 Plug Pg 9 (EN175301-803-A)

Output signal
 4 – 20 mA

Pressure reference

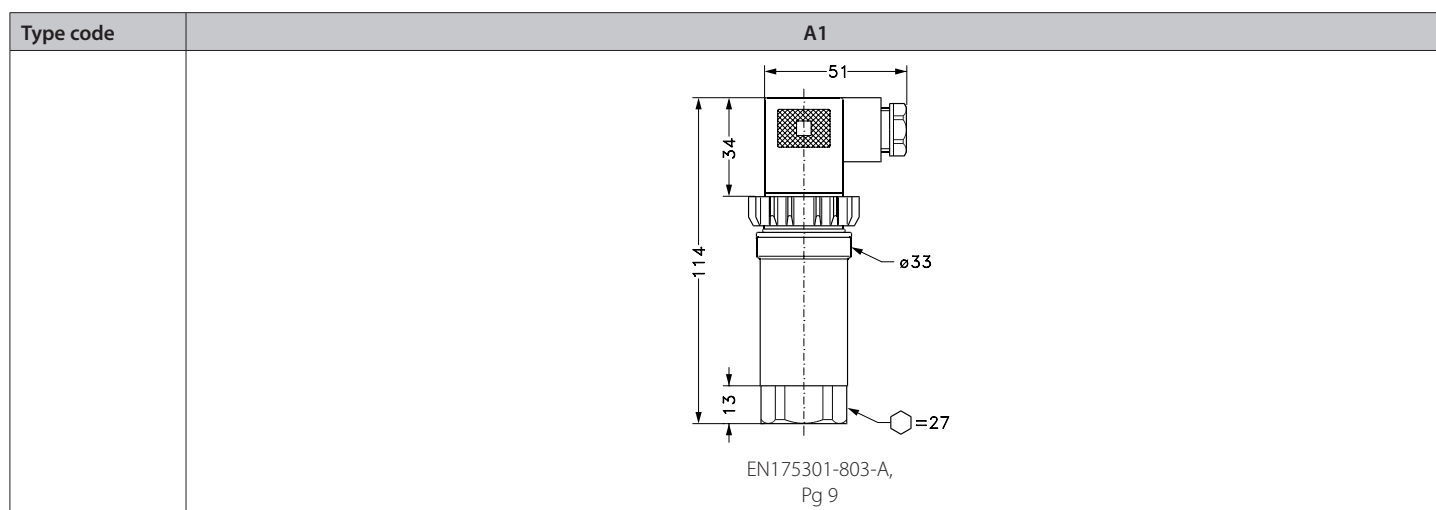
Gauge (relative)	1
Absolute	2

Preferred version

Non-standard build-up combinations may be selected. However, minimum order quantities may apply.

Please contact your local Danfoss office for further information, or request on other versions.

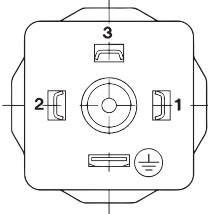
Dimensions/Combinations



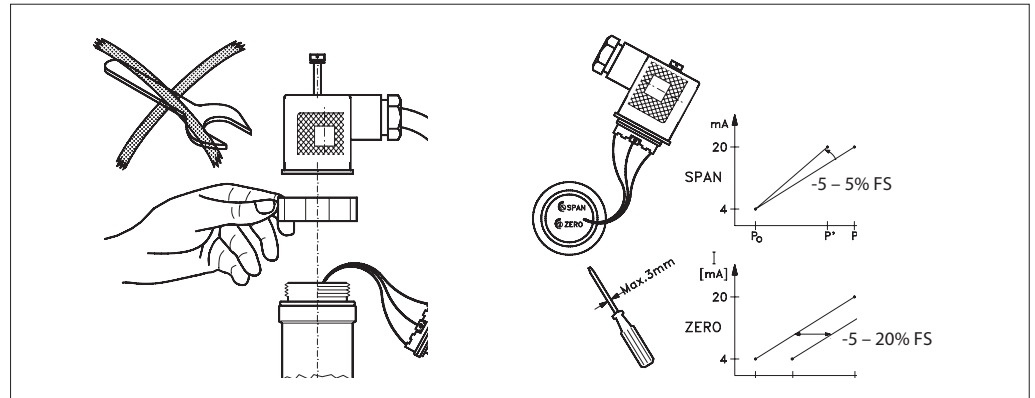
	G 1/4 A (EN 837)	G 3/8 A (EN 837)	G 1/2 A (EN 837)	1/4 - 18 NPT	1/2 - 14 NPT	DIN 3852-E-G 1/4 Gasket: DIN 3869-14
Type code	AB04	AB06	AB08	AC04	AC08	GB04
Recommended torque ¹⁾	30 – 35 Nm	30 – 35 Nm	30 – 35 Nm	2 – 3 turns after finger tightened	2 – 3 turns after finger tightened	30 – 35 Nm

¹⁾ Depends on different parameters such as gasket material, mating material, thread lubrication and pressure level

Electrical connection

Type code, page 4	A1
	 <p data-bbox="1002 629 1158 678">EN 175301-803-A, Pg 9</p>
<p data-bbox="469 759 600 862">Electrical connection, 4 – 20 mA output (2 wire)</p>	<p data-bbox="1018 723 1150 797">Pin 1: + supply Pin 2: ÷ supply Pin 3: not used</p> <p data-bbox="1007 875 1161 925">Earth: Connected to MBS enclosure</p>

Adjustment



Danfoss can accept no responsibility for possible errors in catalogues, brochures and other printed material. Danfoss reserves the right to alter its products without notice. This also applies to products already on order provided that such alterations can be made without subsequential changes being necessary in specifications already agreed. All trademarks in this material are property of the respective companies. Danfoss and the Danfoss logotype are trademarks of Danfoss A/S. All rights reserved.