

Data sheet

# Pressure Transmitter for wind turbine applications

## MBS 8200 and MBS 8250



MBS 8200 is a series of compact pressure transmitters developed to withstand the pressure pulsations and vibrations known in wind turbine applications.

A new technology combining piezo resistive sensor element and programmable gain amplifiers makes the MBS 8200 the obvious choice for applications demanding highest accuracy and insensitiveness against temperature variations. Further this technology enhances the functional safety by limiting the output signal at excess pressure conditions, it allows excellent sink/source capabilities and it leaves the pressure transmitters unaffected by electromagnetic fields up to 100 V/m.

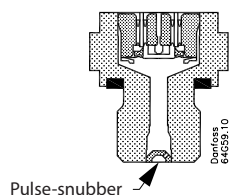
MBS 8250 with integrated pulse-snubber is designed for use in hydraulic applications with severe media influences like cavitation, liquid hammer or pressure peaks, and offers a reliable pressure measurement, even under harsh environmental conditions.

### Features

- Designed for use in harsh industrial environments
- EMC protection 100 V/m
- For media and ambient temperatures up to 125 °C
- Reverse polarity protected
- Version with integrated pulse-snubber.
- Protected against cavitation, liquid hammering and pressure peaks
- Enclosure and wetted parts of AISI 316L
- Digitally temperature calibrated
- RoHS conformity

### Approvals

UL 508: Industrial control equipment,  
file no. E311982  
UL 873: Temperature indicating equipment,  
file no. E31024  
UL 1604 Hazloc: Class I, Div. 2, Group A, B, C and  
D, file no. E227388  
CRN 0F18477.5CL

**MBS 8250**

**Application**

Cavitation, liquid hammer and pressure peaks may occur in hydraulic systems with changes in flow velocity, e.g. fast closing of a valve or pump starts and stops.

The problem may occur on the inlet and outlet side, even at rather low operating pressures.

**Media condition**

Clogging of the nozzle may occur in liquids containing particles. Mounting the transmitter in an upright position minimizes the risk of clogging, because the flow in the nozzle is restricted to the start-up period when the dead volume behind the nozzle fills, and furthermore because the nozzle orifice is relatively big (0.4 mm). The media viscosity has only little effect on the response time. Even at viscosities up to 100 cSt, the response time will not exceed 4 ms.

**Technical data**
**Performance (EN 60770)**

Non-linearity BFLS (conformity)		$\leq \pm 0.2\%$ FS
Hysteresis and repeatability		$\leq \pm 0.1\%$ FS
Total error band inside the compensated temperature range		$\leq \pm 1\%$ FS
Thermal shift outside the compensated temperature range		$\leq \pm 0.65\%$ FS / 10 K
Response time MBS 8200 (10-90%)		< 2 ms
Response time MBS 8250 (10-90%)	Liquids with viscosity < 100 cSt	< 4 ms
	Air and gases	< 35 ms
Overload pressure (static)		6 × FS (max. 1400 bar)
Burst pressure		> 6 × FS (max 1800 bar)
Durability, P: 10 – 90% FS		> 10 × 10 <sup>6</sup> cycles

**Electrical specifications**

Nom. output signal (short circuit protected)		4 – 20 mA (2-wire)
Supply voltage, U <sub>B</sub> (polarity protected)		9 – 32 V DC > 32 V: Contact Danfoss
Supply voltage dependency		$\leq \pm 0.05\%$ FS / 10 V
Current limitation (linear output signal up to 1.5 × rated range)		22 mA ± 0.5 mA
Load [R <sub>L</sub> ] (load connected to 0V)		$R_L \leq \frac{U_B - 9V}{0.02 A} [\Omega]$

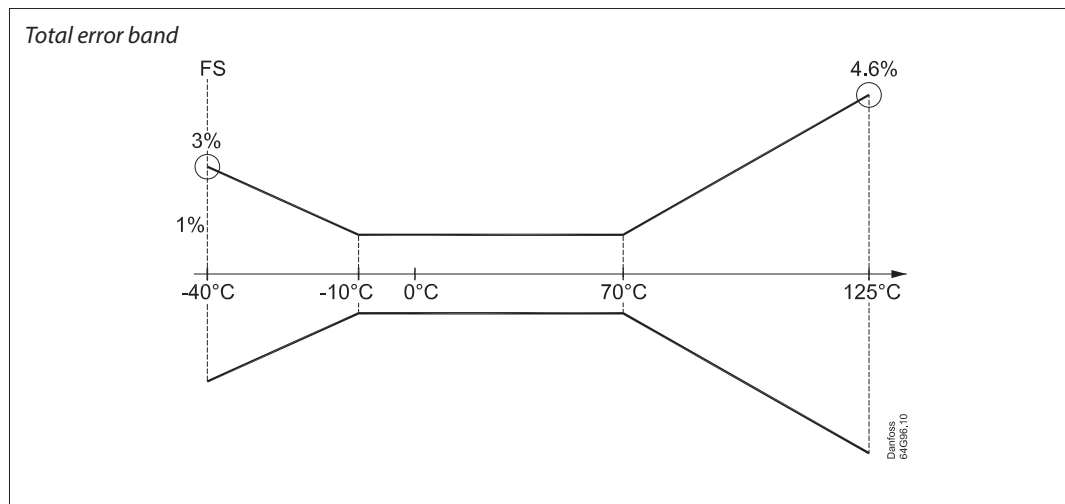
**Environmental conditions**

Media temperature range		-40 – 125 °C	
Ambient temperature range		-40 – 105 °C	
Compensated temperature span		Δ 80 °C	
Compensated temperature range default		-10 – 70 °C	
Storage temperature		-50 – 125 °C	
EMC - Emission		EN 61000-6-3	
EMC Immunity	RF Field	100 V/m, 20 MHz – 2 GHz	ISO 11452-2
		20 V/m, 2 GHz – 4 GHz	
Insulation resistance		> 100 MΩ at 500 V DC	
Vibration stability	Sinusoidal	15.9 mm-pp, 5 Hz-25 Hz	IEC 60068-2-6
		25 g, 25 Hz - 2 kHz	
	Random	15 g <sub>rms</sub> , 5 Hz – 1 kHz	IEC 60068-2-64
Shock resistance	Shock	500 g / 1 ms	IEC 60068-2-27
	Free fall	1 m	IEC 60068-2-32
Enclosure (depending on electrical connection)		See page 5	

**Technical data**  
(continued)

*Mechanical characteristics*

Materials	Wetted parts	EN 10088-1; 1.4404 (AISI 316 L)
	Enclosure	EN 10088-1; 1.4404 (AISI 316 L)
	Pressure connection	EN 10088-1; 1.4404 (AISI 316 L)
	Electrical connections	See page 5
Net weight (depending on pressure connection)		< 0.07 kg



**Ordering**

**MBS 82**

<b>Type</b>	Standard..... 00	With pulse snubber..... 50
<b>Measuring range</b>	0 – 6 bar..... 18	0 – 10 bar..... 20
	0 – 16 bar..... 22	0 – 25 bar..... 24
	0 – 40 bar..... 26	0 – 60 bar..... 28
	0 – 100 bar..... 30	0 – 160 bar..... 32
	0 – 250 bar..... 34	0 – 400 bar..... 36
<b>Compensated temperature range</b>	-10 – 70°C..... 21	
<b>Pressure Reference</b>	Gauge / Relative (only available for measuring ranges above 30 bar)..... 1	Absolute..... 2
<b>Output signal</b>	4 – 20 mA..... 1	

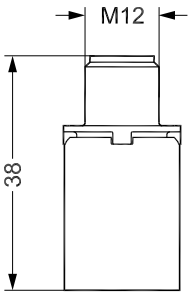
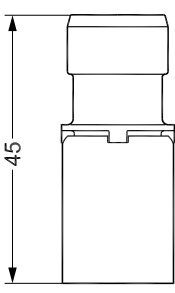
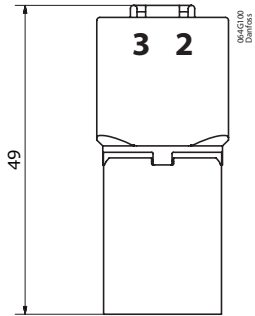
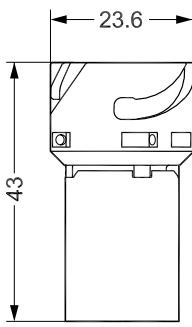
**Gasket**  
0 No gasket  
1 Gasket, Viton, medium temp. -20 °C – 125 °C

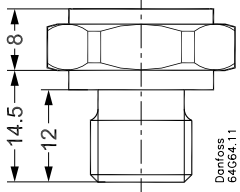
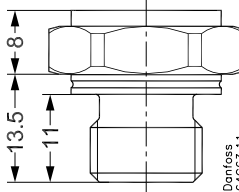
**Pressure Connection**  
GB04 G1/4, DIN3852-E / ISO 1179-2  
FA08 M14x1.5, ISO 6149-2

**Electrical Connection**  
C1 \*M12x1, metal, IEC 947-5-2, 4 pin, Au, male, excl. female plug  
C2 Round Packard Metric-Pack 3-pin, Sn, male, excl. female plug  
C3 Deutsch Plug DT04 4pin /AU, Male  
C6 Bayonet, ISO 15170/DIN 72585-A1-3.1-Au, excl. female plug  
\* Sealed gauge versions

Please contact your local Danfoss office for further information or request on other versions.

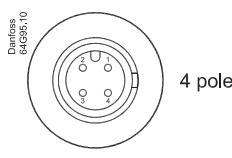
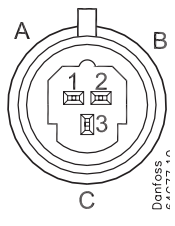
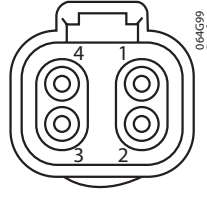
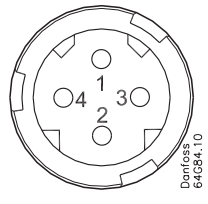
**Dimensions/Combinations**

Type code	C1	C2	C3	C6
Electrical connections	M12 × 1, 4-pin, metal, Au	Round Packard, Sn	Deutsch Plug DT04 4pin/AU	ISO 15170 A1-3.1 Au
Housing Ø = 19 mm				

Type code	GB04	FA08
Pressure connections	G1/4 - DIN 3852-E Gasket: DIN 3869-14	M14 x 1.5 - ISO 6149-2 O-ring
Hex is 22 mm across flats		
Recommended torque <sup>1)</sup>	30 – 35 Nm	30 – 35 Nm

<sup>1)</sup> Depends of different parameters such as gasket material, mating material, thread lubrication and pressure level

### Electrical connections

Type code	C1	C2	C3	C6
Electrical connection	M12 × 1, 4 pin, Metal Au  4 pole	Round Packard, Sn 	Deutsch Plug DT04 4pin / AU 	ISO 15170 A1-3.1 Au 
Enclosure (IP protection fulfilled together with mating connector)	IP67	IP67	IP67	IP69K
Material	Glass filled polyamid, PA 6.6 Au coated contacts	Glass filled polyamide, PA 6.6 Sn coated contacts	Valox Resin with AU plated pins	Glass filled polyester, PBT Au coated contacts
Electrical connection, 4 – 20 mA output (2 wire)	Pin 1: + supply Pin 2: - supply Pin 3: not used Pin 4: not used	Pin 1 (A): - supply Pin 2 (B): + supply Pin 3 (C): not used	Pin 1: + supply Pin 2: - supply Pin 3: not used Pin 4: not used	Pin 1: + supply Pin 2: - supply Pin 3: not used Pin 4: not used