

Data sheet

Danfoss gas detection Expansion module



The gas detection Controller Expansion module is used for expansion of the cable coverage in terms of number of fieldbus loops and the total wire length. Each Controller Unit can handle up to 7 Expansion modules allowing 7 additional loops of 900 meters (2953 ft) length available for local Gas Detection Units. Communication between the Controller, the Expansion modules and the Gas Detection Units is done via Analog or RS485 fieldbus.

Additional 4 relays for external looped alarm devices is made available for each Expansion module.

Expansion modules can be installed close to the Controller (Controller Solution) or alternatively in the field.

Features

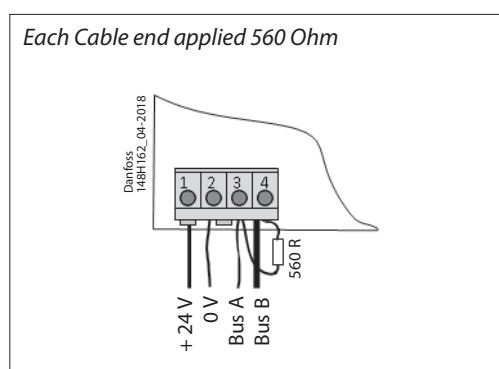
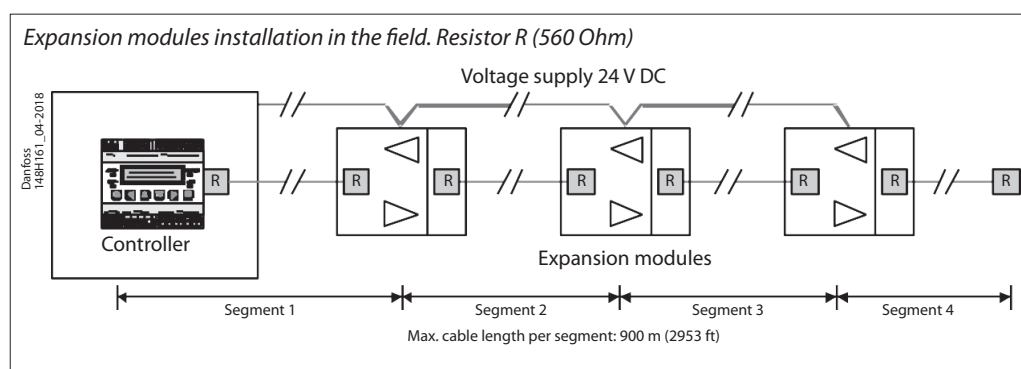
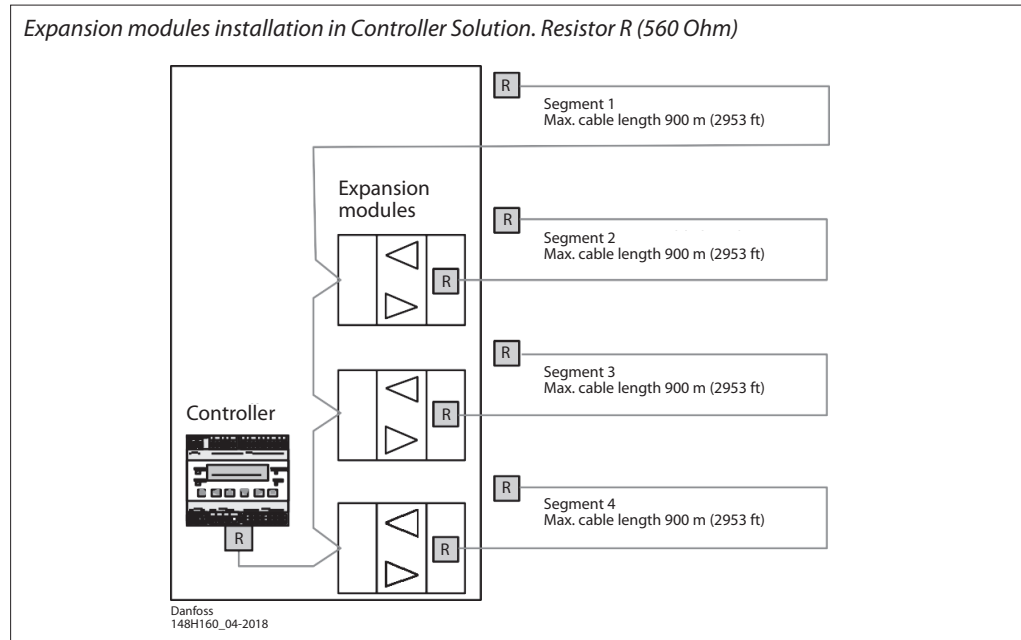
- For extension of the covered site area for gas detection sensors
- 4 relays for external alarm device circuits per Expansion module
- Up to 7 Expansion modules per Controller possible; allows additional 7 segments with a total of 7200 meters (23622 ft.) wiring and a total of 32 relays for alarm device circuits.
- Flexible connection to local gas detection units by either Analog or RS485 fieldbus communications
- Located in Controller Solution or in the field
- Easy configuration via intuitive user-interface; helps simplify operator handling and minimize risk of operational setting errors
- Simple commissioning by standard parameter configuration
- Enables regulatory compliance with EN 378:2016, ISO 5149:2014,

Contents	Page
Features.....	1
Installation/Connection.....	3
Specifications	4
Wiring configuration.....	5
Ordering	5

Installation/Connection

Expansion modules are installed close to the Controller (Controller Solution) or in the field. Examples shown below:

Each cable end must be applied a Resistor of 560 Ohm.



Specifications

Electrical	
Power supply	24 V DC \pm 20 %
Power consumption	3 W, 120 mA
Analog input (4)	4 to 20 mA, overload and short-circuit protected, input resistance 200 Ω
Tension for external analog transmitter	24 V DC (same as power supply), max. 100 mA / per sensor
Analog output (2) configurable for each input	Proportional, overload and short-circuit- protected, charge \leq 500 Ω 4 - 20 mA = measuring range 3.0 < 4 mA = underrange > 20 - 21.2 mA = overrange 2.0 mA = fault
Alarm relay (4)	250 V AC, 5 A, potential-free, change-over (SPDT)

Interface fieldbus	
Transceiver	RS 485 / 19200 Baud

Environmental	
Humidity	15 - 95 % RH non-condensing
Working temperature	-10 °C to +40 °C (14 °F to 104 °F)
Storage temperature	0 °C to +40 °C (32 °F to 104 °F)

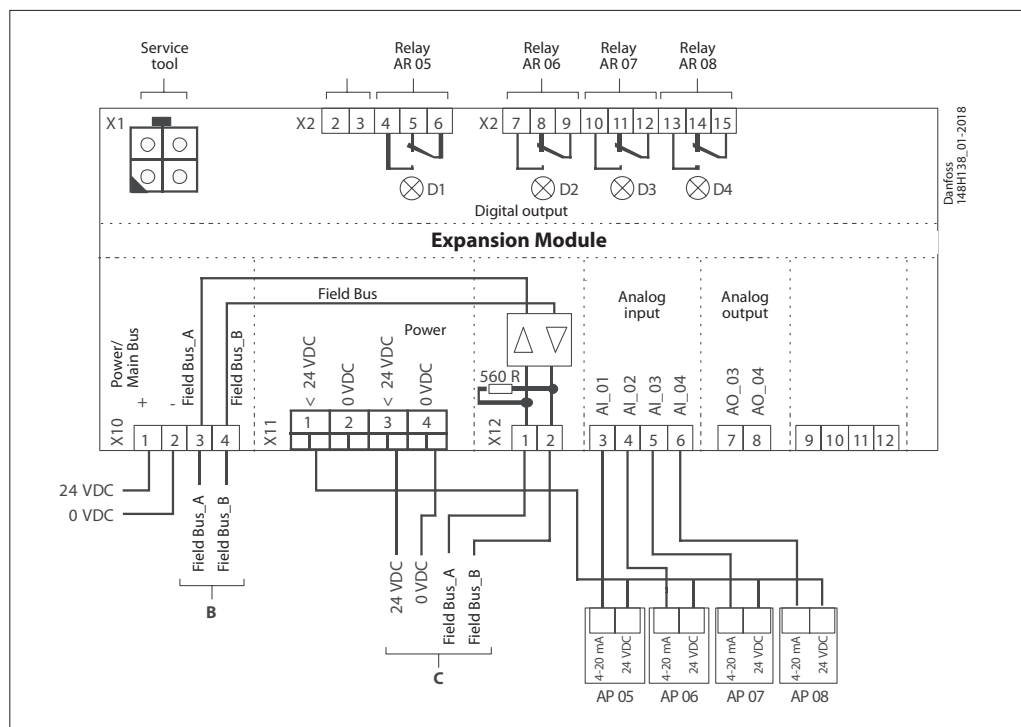
Physical	
Enclosure	Plastic housing ABS
Colour	Black
Protection class	IP 40
Weight	0.2 kg (0.5 lb.)
Packaging volumes	Ca. 4.4 l
Mounting	Top hat DIN rail mounting
Dimensions	(W x H x D) 104 x 86 x 56 mm (4.1 x 3.4 x 2.2 in.)
Wire connection: Power supply Output Input	Screw type terminal: 2.5 mm ² (14 AWG) 2 x spring type terminal: min. 0.5 mm ² , max. 1.5 mm ² (22 to 16 AWG) Spring type: min. 0.5 mm ² , max. 1.5 mm ² (22 to 16 AWG)

Directives	
EMC Directive 2014/30/EU	
Low voltage directive 2014/35/EU	
Conformity to: EN 50 545-1, EN 50271, EN 61010-1:2010, ANSI/UL 61010-1, CAN/CSA-C22.2 No. 61010-1	

Options - control of external warning devices	
Power supply of the external warning devices	24 V DC
Measuring resistance at the warning device	12 k Ω , 0.5 W, 5 %

Note:
If expansion modules are distributed along the communication bus it is recommended that each be powered by a separate DC power supply with only the ground connected to the bus.

Wiring configuration



Ordering

Description	Code number
Expansion module	148H6222

ENGINEERING
TOMORROW



Danfoss can accept no responsibility for possible errors in catalogues, brochures and other printed material. Danfoss reserves the right to alter its products without notice. This also applies to products already on order provided that such alterations can be made without subsequential changes being necessary in specifications already agreed. All trademarks in this material are property of the respective companies. Danfoss and the Danfoss logotype are trademarks of Danfoss A/S. All rights reserved.