

Service guide

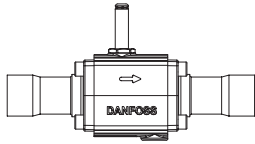
Solenoid valve

Types EVR 32 - EVR 40 (version 2)

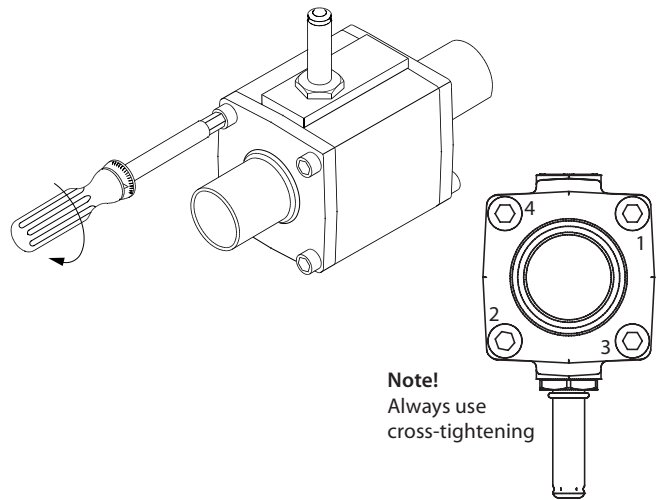
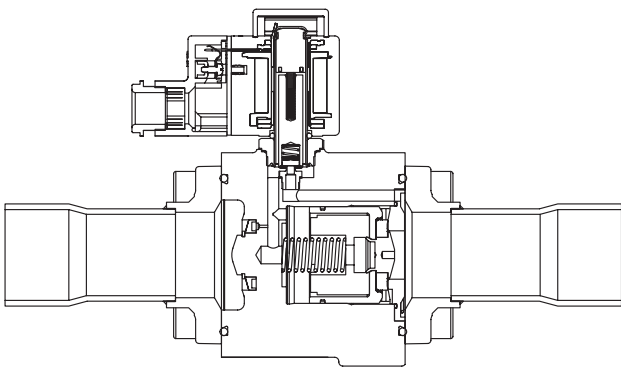
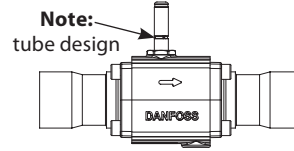
032R9607

032R9607

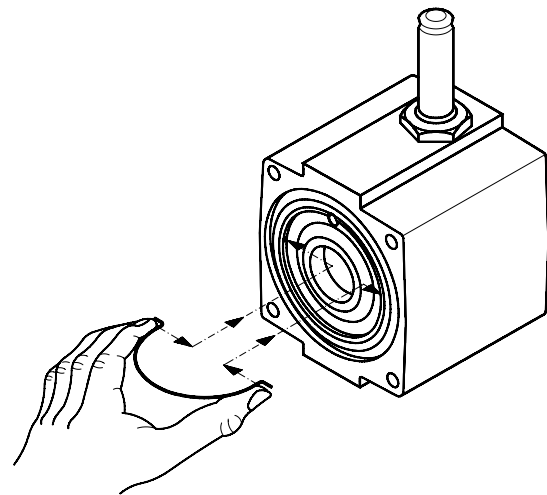
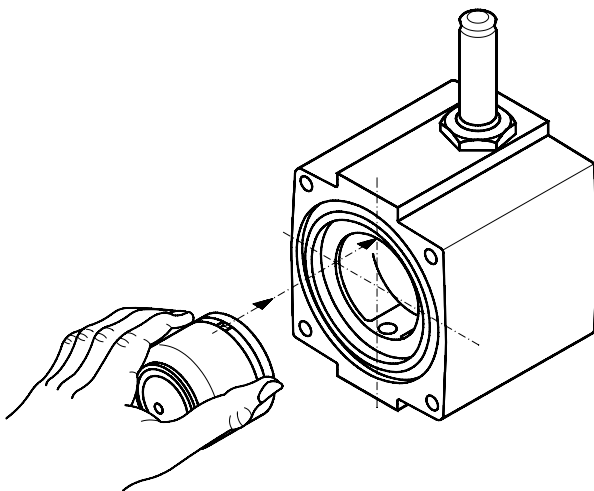
NC solder

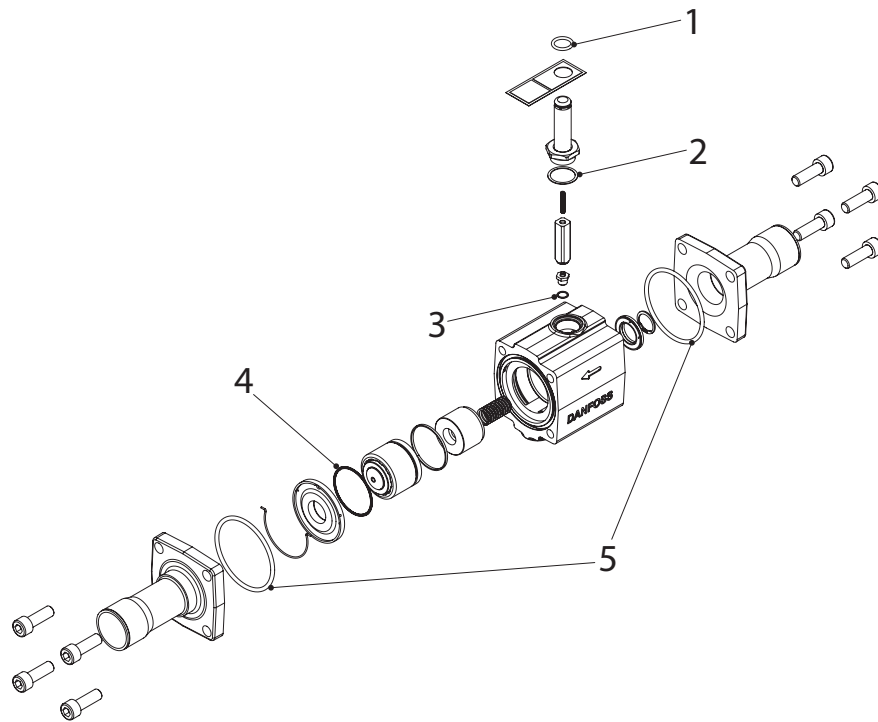


NO solder



[Nm]	[kpm]	[ft-lbs]
30	2.0	15





Pos. no.	Description	Dimension	Material	Piston	Pilot	Inspection kit
1	O-ring	ID 14.30 x H 2.40	EPDM	•		•
2	Gasket	ID 22.5 x OD 26.4 x H 0.35	SS+NBR		•	•
3	Al-Gasket	ID 8.1 x OD 10.1 x H 0.5	Al			•
4	O-ring	ID 42.00 x H 1.50	Chloroprene	•		•
5	O-ring x 2	ID 66.27 x H 3.53	Chloroprene	•		•