

# Installation Guide

## Unloader flange valve

### Type EVRF

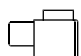
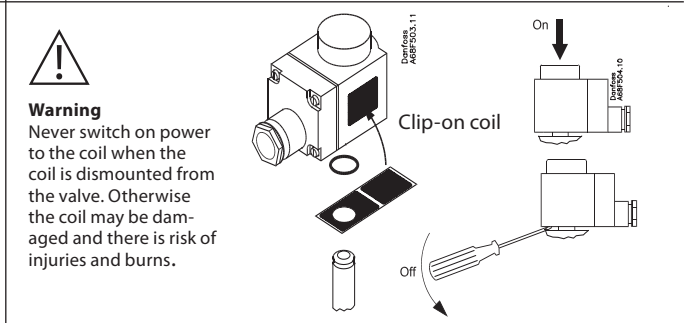
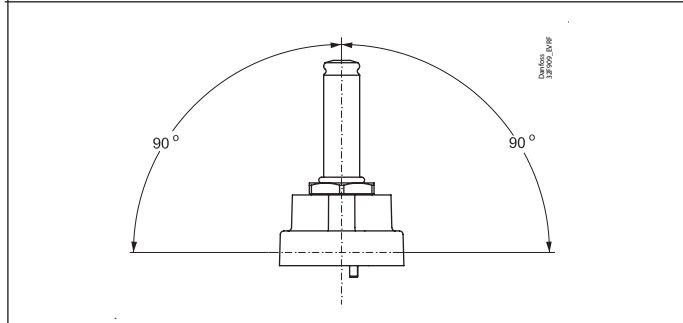
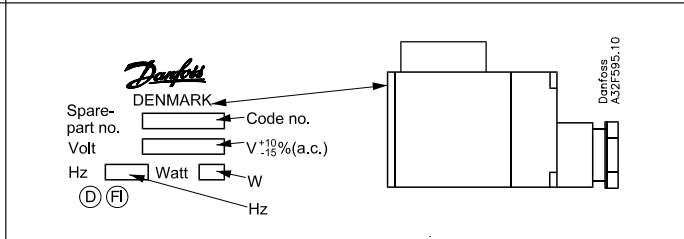
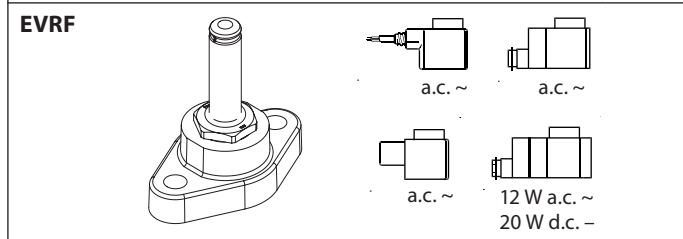
032R9794

032R9794

**Refrigerants:**  
Oil with R717, R22/R407C, R404A/R507, R410A, R134a, R407A, R23.  
For other refrigerants, please contact Danfoss.

**Max. working pressure:**  
PS / MWP = 35 bar (508 psig)

**Medium temperature:**  
Min. -40 °C (-40 °F) Max. 105 °C (221 °F)

	[Nm]	[kpm]	[ft-lbs]
A	80	8.16	59

