

Installation guide

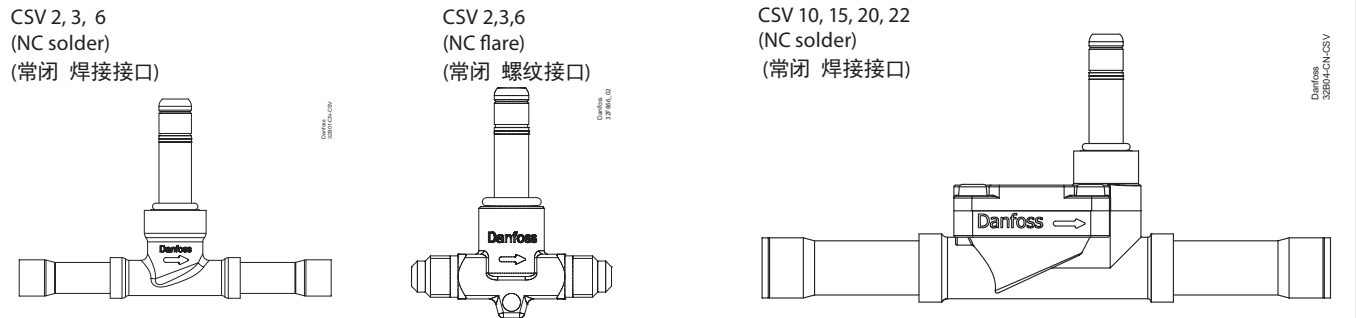
# Solenoid valve

## Types CSV 2 - CSV 22 (NC)

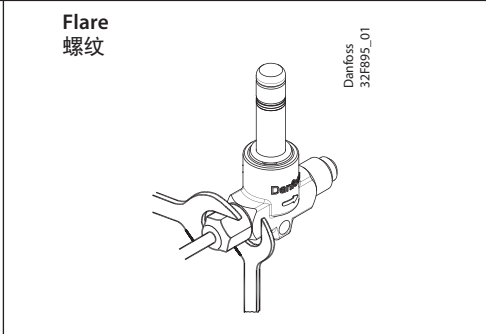
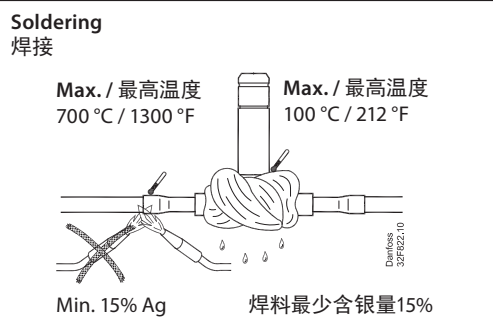
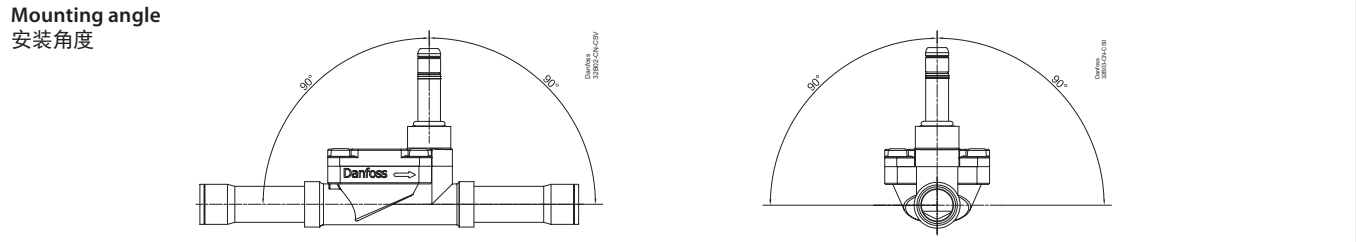
032R9010

032R9010

<b>Refrigerants / 制冷剂:</b> R22, R134a, R404A, R507, R407C, R290 For other refrigerants, contact Danfoss. 有关与其它制冷剂的适用性问题, 请联系丹佛斯销售。  <b>Note:</b> Only CSV 2-6 solder type are suitable for R290. 只有CSV2-6焊接接口 适用于R290.	<b>Max. working pressure / 最大工作压力:</b> PS / MWP: 35 bar / 508 psig	<b>Max. operation pressure differential (MOPD):</b> Coil dependent  最大开阀压差: 依据所选线圈型号, 参考样本参数	<b>Medium temperature / 介质温度:</b> -40 – 105 °C / -40 – 221 °F
			<b>Ambient temperature / 环境温度:</b> -20 – 55 °C / -4 – 131 °F



For CSV 3 and CSV 6 type valve, Danfoss recommends that a suitable filter or filter drier (max. size of 40 - 50 µm) is installed ahead of each solenoid valve to keep scale, solder material and other foreign dirt and particles out of the valve.  
 注意: 对于CSV 3和CSV 6电磁阀, 丹佛斯推荐在阀前安装干燥过滤器(最大规格为 40-50µm 或其它过滤装置, 以防止系统中的杂质、焊渣残留物以及其它外部污垢和细小颗粒 进入阀体。



**Warning / 注意**  
 Always disconnect power from the coil when dismantled from the valve.  
 The coil may be damaged and there is risk of injuries and burns.  
 当线圈没有完全安装在阀体上时, 禁止给线圈通电(拆除线圈时, 务必提前断电), 否则会引起线圈损坏甚至烧毁。

