

Data Sheet

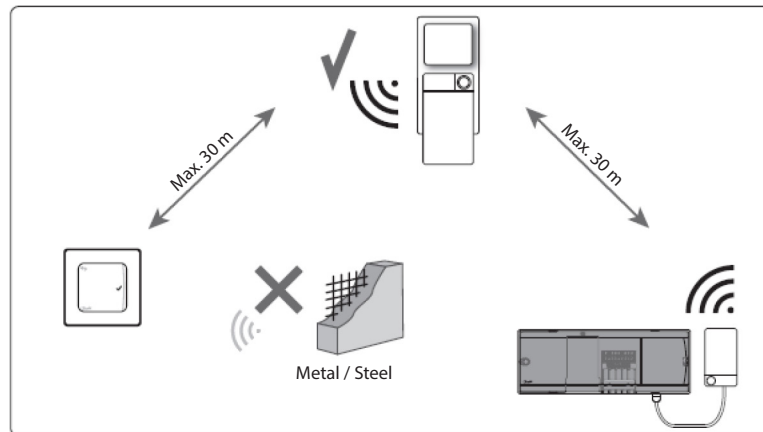
# Danfoss *Icon*™ Repeater

## Description



Danfoss *Icon*™ Repeater is used to extend the range between thermostats and master controller or to troubleshoot in systems with objects impeding the signal. The repeater can be plugged directly into a 230 V power outlet.

## Application



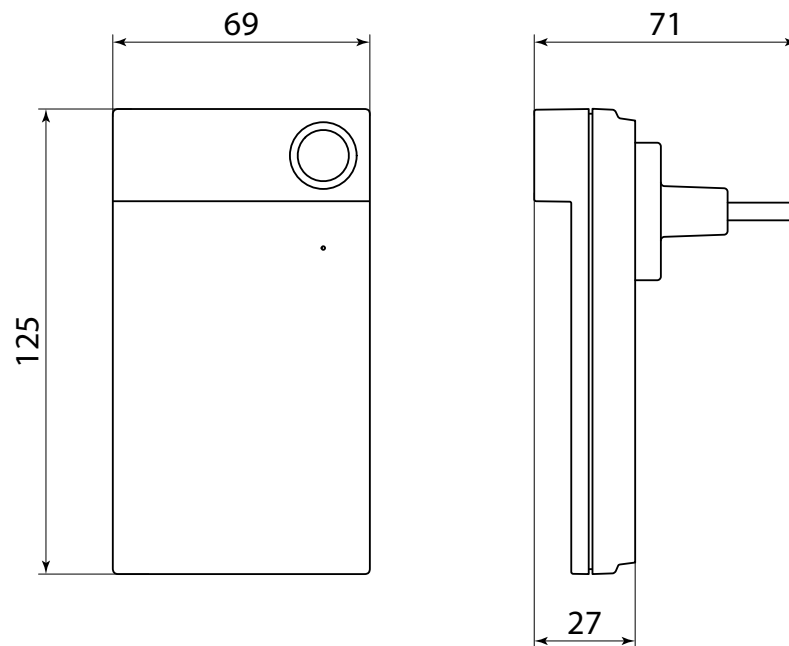
## Ordering

Product	Code number
Danfoss <i>Icon</i> ™ Repeater	<b>088U1102</b>

**Tecnical data**

Purpose of control	Extending the range of the radio signal.
Ambient temperature range, continious use	0 °C to +40 °C
Frequency	868,4-869,85 MHz
Encapsulation (IP Class)	IP 20
Conformity declared acc. to following directives	RED, RoHS, WEEE
Protection class Radio	Class III
Supply voltage	230 VAC 50 Hz
Temperature for the ball pressure test	75 °C
Control polution degree	Degree 2, normal household environment
Software class	Class A
Rated impulse voltage	4 kV
Operating time	Permanently connected
Temperature range, storage and transportation	-20 °C to +65 °C
Dispossal instructions	The product must be disposed as electronic waste.

**Drawings**



Danfoss *Icon*™ Repeater 088U1102

**Danfoss A/S**

Heating Segment • heating.danfoss.com • +45 7488 2222 • E-Mail: heating@danfoss.com

Danfoss can accept no responsibility for possible errors in catalogues, brochures and other printed material. Danfoss reserves the right to alter its products without notice. This also applies to products already on order provided that such alterations can be made without subsequential changes being necessary in specifications already agreed. All trademarks in this material are property of the respective companies. Danfoss and all Danfoss logotypes are trademarks of Danfoss A/S. All rights reserved.