

Data sheet

Actuator for three point control AMV 11

Description



The actuator is available for 3-point controls. It is used with VS2, VM2, VB2, VMV and AVQM valves.

In addition to basic function such as manual control and position indication, the actuators are also equipped with force sensitive switch-off to ensure that actuators and valves are not exposed to overload. This function automatically ensures the self-adjustment of the end positions on the valve.

Main data:

- Nominal voltage:
 - 24 Vac, 50 Hz/60 Hz
 - 230 Vac, 50 Hz/60 Hz
- Control input signal: 3 point
- Force: 300 N
- Speed: 7 s/mm
- Max. medium temperature: 130 °C + adapter (150 °C)
- End-position signals

Ordering


Actuators

Type	Supply voltage	Code No.
AMV 11	230 V~	082G3032
AMV 11	24 V~	082G3033

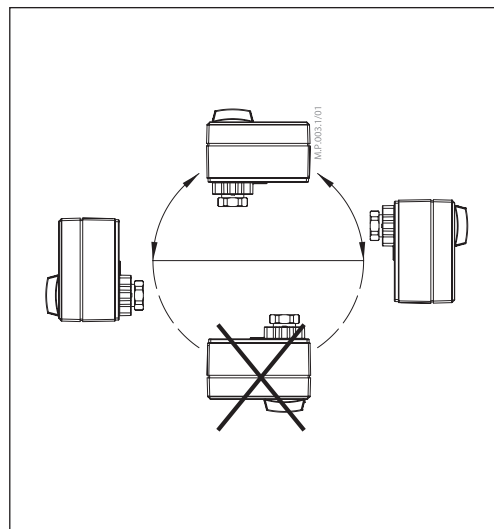
Accessories

Type	Code No.
High temperature adapter (150°C)	065Z7547

Technical data

Power supply	Vac	24, 230; +10 ... -15%
Power consumption	VA	2.4
Frequency	Hz	50/60 (24 V version) ; 50 (230 V version)
Control input		3-point
Closing force	N	300
Max. stroke	mm	7
Speed	s/mm	7
Max. medium temperature		130 (150 with adapter)
Ambient temperature	°C	0 ... 55
Storage and transport temperature		-40 ... 70
Ambient humidity		5-95 % r.h., non-condensing
Protection Class		II
Grade of enclosure		IP 54
Weight	kg	0.6
 marking in accordance with standards		Low Voltage Directive (LVD) 2014/35/EU: EN 60730-1, EN 60730-2-14 Electromagnetic Compatibility Directive (EMC) 2014/30/EU: EN 61000-6-2, EN 61000-6-3

Installation



Mechanical

The actuator should be mounted with the valve stem in either horizontal position or pointing upwards.

The actuator is fixed to the valve body by means of a mounting ring, which requires no tools for mounting. The ring should be tightened by hand.

Electrical

Important: It is strongly recommended that the mechanical installation is completed before the electrical installation.

Note: Two cable entries are provided for M 16x1.5 cable glands. One entry is provided with a rubber grommet. Note that in order to maintain the enclosure's IP rating, appropriate cable glands must be used.

Disposal

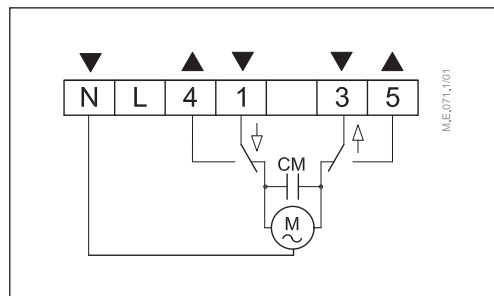
The actuator must be dismantled and the elements sorted into various material groups before disposal.

Wiring



230 Vac version:

Do not touch anything on the PCB!
Do not remove the cover before the power supply is fully switched off.



N	0 V	Neutral
1	24/230 Vac	Input
3		
4, 5		Output

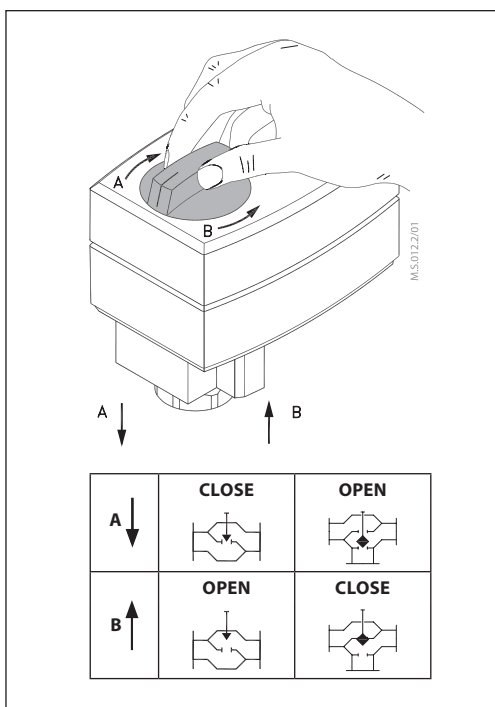
Commissioning

Complete the mechanical and electrical installation and perform the necessary checks and tests:

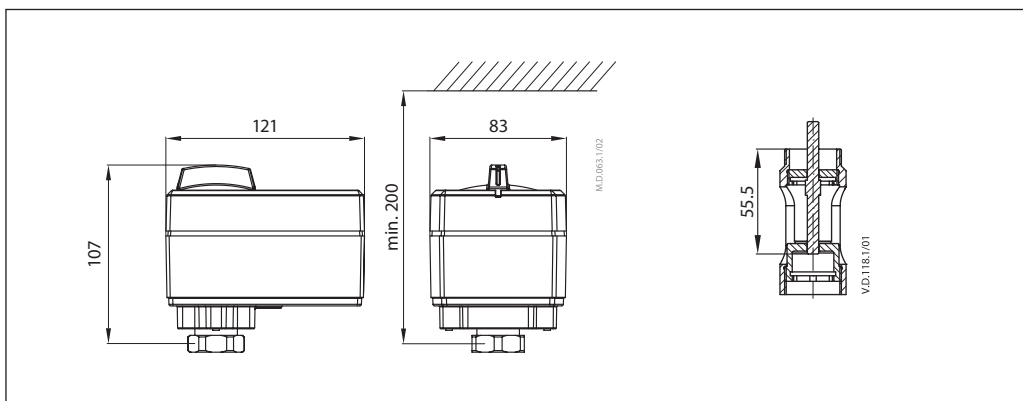
- Turn on the power.
- Set the appropriate control signal and check that the valve stem direction is correct for the application.

The unit is now fully commissioned.

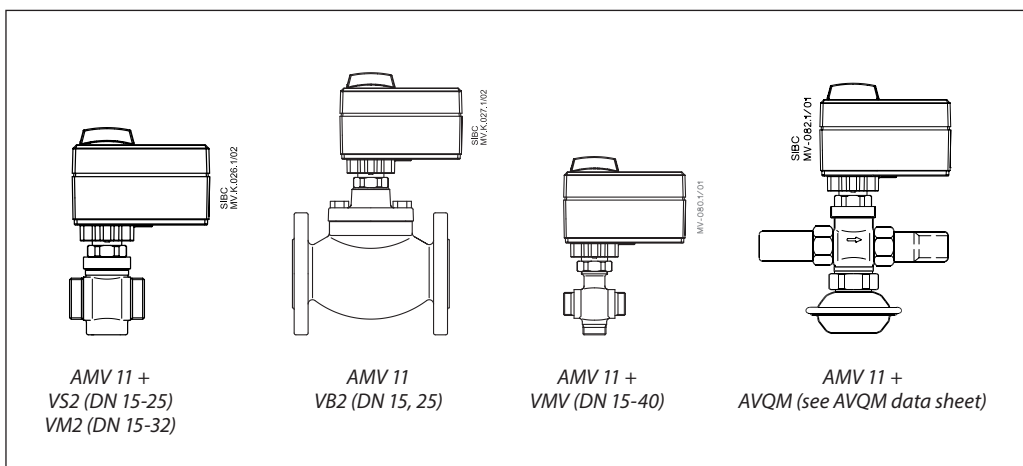
Manual Override



Dimensions



Actuator - valve combinations





Danfoss A/S

Heating Segment • heating.danfoss.com • +45 7488 2222 • E-Mail: heating@danfoss.com

Danfoss can accept no responsibility for possible errors in catalogues, brochures and other printed material. Danfoss reserves the right to alter its products without notice. This also applies to products already on order provided that such alterations can be made without subsequential changes being necessary in specifications already agreed. All trademarks in this material are property of the respective companies. Danfoss and all Danfoss logotypes are trademarks of Danfoss A/S. All rights reserved.
