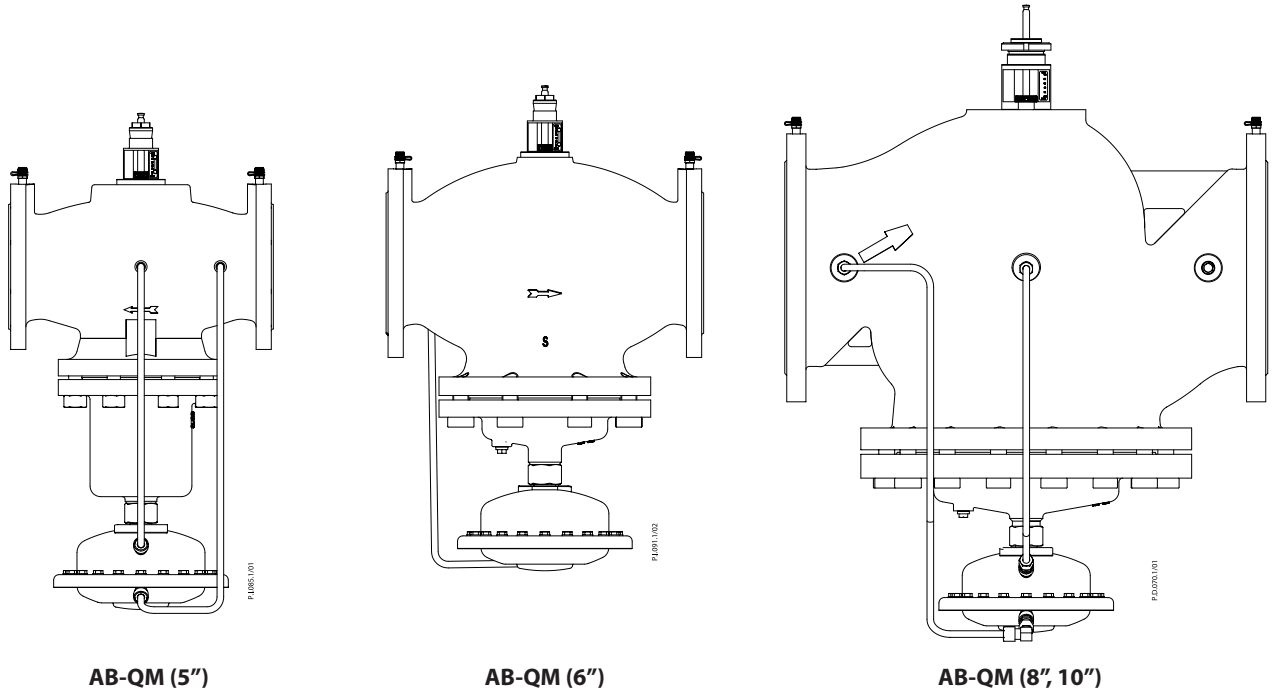
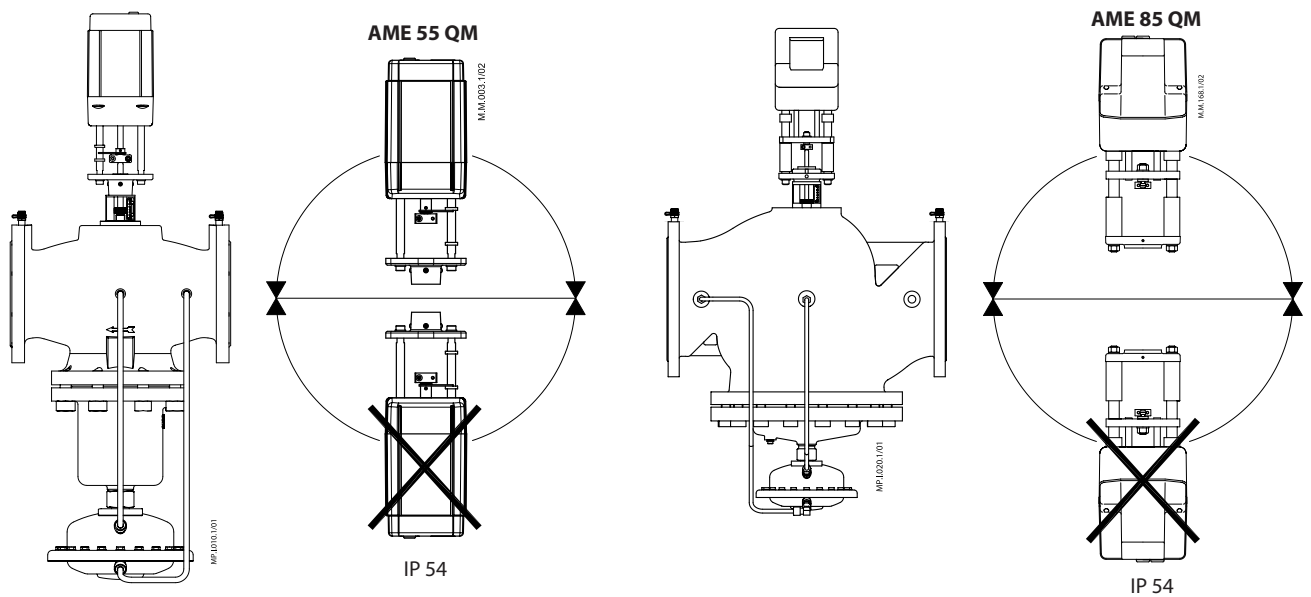


# Installation Guide

## AB-QM (ANSI), 5"-10"

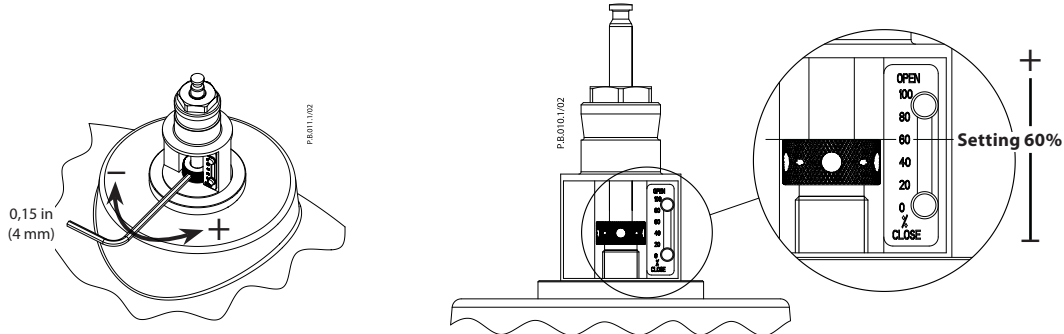


Installation/Montering/Einbau/Installation /Installatie/Installation/Asennus/Montaž/Uzstādīšana/Beépítés/Montaj/Монтаж/Instalace/Vgradnja/Instalación/Montavimas



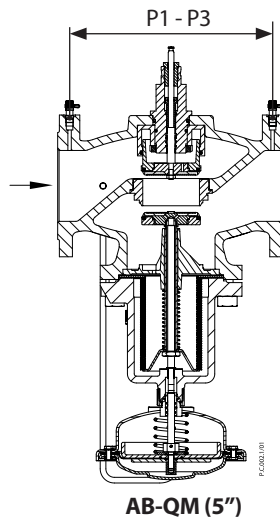
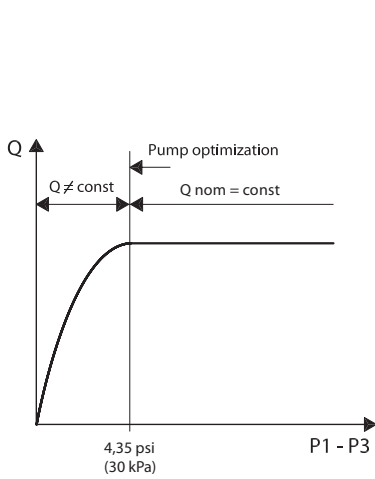
# Installation Guide AB-QM (ANSI), 5"-10"

Setting/Indstilling/Einstellung/Réglage/Instelling/Inställning/Asettelu/Wykonywanie nastawy/leštādijumi/Beállítás/AYARLAMA/Настройка/Nastavení/ 设定/Nastavitev/Ajuste/Nustatymas



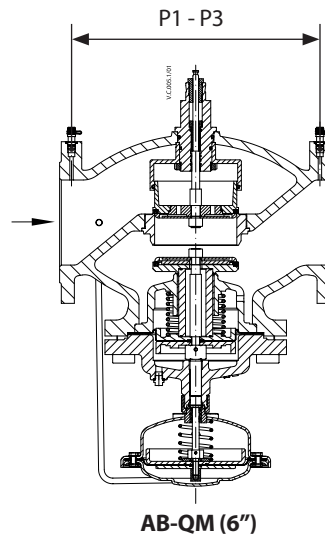
Note: 1 turn = 5,5%

Measuring/Måling/Messung/Mesure/Meten/Mätning/Mittaaminen/Wykonywanie pomiarów/Mērišana/Mérés/Ölçüm/Измерение/ Měření /Merjenje/Medida/Matavimas



5"	l/h	GPM
40%	36288	160
50%	45360	200
60%	54432	240
70%	63504	280
80%	72576	320
90%	80514	355
100%	89586	395

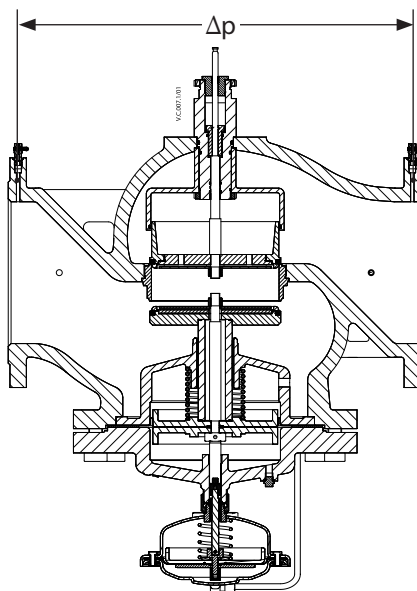
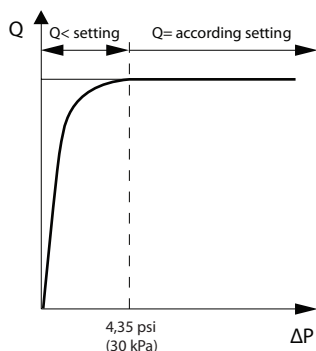
Note: 1 turn = 5,5%



6"	l/h	GPM
40%	57834	255
50%	72576	320
60%	87318	385
70%	102060	450
80%	115668	510
90%	130410	575
100%	145152	640

Note: 1 turn = 5,5%

# Installation Guide AB-QM (ANSI), 5"-10"



**AB-QM (8", 10")**

8"	l/h	GPM
40%	75978	335
50%	95256	420
60%	113400	500
70%	132678	585
80%	151956	670
90%	171234	755
100%	188244	830

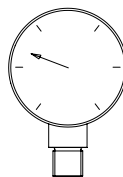
**Note:** 1 turn = 5,5%

10"	l/h	GPM
40%	112266	495
50%	139482	615
60%	167832	740
70%	196182	865
80%	223398	985
90%	251748	1110
100%	280098	1235

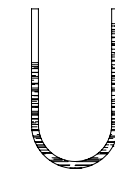
**Note:** 1 turn = 5,5%



**Temp. = 15...250 °F**  
**(-10...120 °C)**



**Class 150**



**Δp<sub>max.</sub> = 58 psi**  
**(400 kPa)**

**Installation Guide      AB-QM (ANSI), 5"-10"**

---

---