





## Model AB-QM Pressure Independent Balance and Control Valve

### CONTROL VALVE SUBMITTAL, 2½” thru 4” valves, ANSI FLANGED, (2<sup>nd</sup> gen)

Electric Actuator for 2½” to 4” ABQM Valves

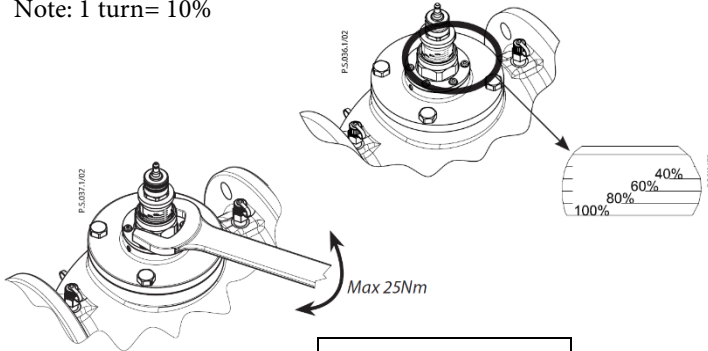
Style	Code No.	Power	Input Signal			Output Signal (0-10VDC)	Safety Function	
			On/Off	Floating	Modulating		Up	Down
AME 435QM	082H0171	24Vac			•	•		
AMV435	082H0162	24Vac		•		•		
AME 25SU <sub>1</sub>	082H3041	24Vac		•	•	•	•	
AME 25SD <sub>1</sub>	082H3038	24Vac		•	•	•		•

<sup>1</sup> Adapter required, code no. 003Z0694

#### Flow Adjustment

On site flow adjustment of the valve can be done by rotation of the AB-QM valve neck to the flow percentage requirement and then locking the position via integrated Allen key screw.

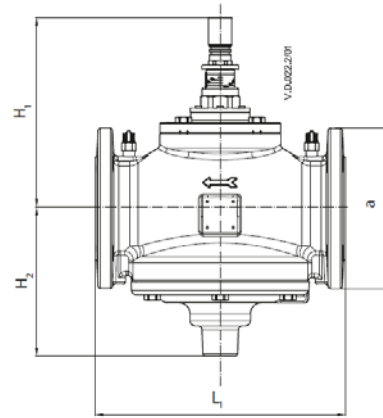
Note: 1 turn= 10%



Max. flow	Flow (GPM)		
	85.0	120.0	165.0
Setting	2-1/2"	3"	4"
40%	34.0	48.0	66.0
45%	38.3	54.0	74.3
50%	42.5	60.0	82.5
55%	46.8	66.0	90.8
60%	51.0	72.0	99.0
65%	55.3	78.0	107.3
70%	59.5	84.0	115.5
75%	63.8	90.0	123.8
80%	68.0	96.0	132.0
85%	72.3	102.0	140.3
90%	76.5	108.0	148.5
95%	80.8	114.0	156.8
100%	85.0	120.0	165.0

#### Materials in Contact with Water

Valve bodies	Grey iron EN-GJL-250(GG25)
Membranes/ Bellow	EPDM
O-rings	EPDM
Springs	W.Nr. 1.4568, W.Nr. 1.4310
Cone (Pc)	CuZn40Pb3 -CW 614N, W.Nr. 1.4305
Seat (Pc)	W.Nr. 1.4305
Cone (Cv)	CuZn40Pb3 -CW 614N
Seat (Cv)	W.Nr. 1.4305
Screw	Stainless Steel (A2)



Valve size	Dimensions, in (mm)				Weight lb (kg)
	L1	H1	H2	a (ANSI B16.1)	
2-½"	11.4 (290)	9.2 (233)	6.8 (172)	7.1 (180)	84 (38)
3"	12.2 (310)	9.3 (236)	7.0 (177)	7.5 (190)	99 (45)
4"	13.8 (350)	9.8 (249)	7.4 (187)	9.1 (230)	126 (57)

Danfoss can accept no responsibility for possible errors in printed materials and reserves the right to alter its products without notice. All trademarks in this material are property of the respective companies. Danfoss and Danfoss logotype are trademarks of Danfoss A/S. All right reserved.



Head Office:  
Danfoss Inc.  
Mississauga, ON CANADA

Tel: 888.326.3677 (option 3) Fax: 416.352.5981  
www.heating.danfoss.us

USA Office:  
Danfoss Inc.  
Baltimore, MD USA