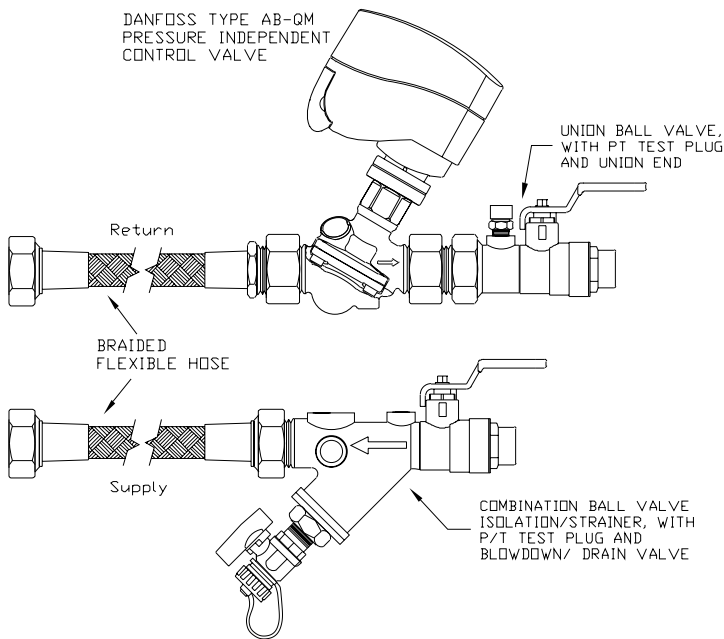




AB-QM™ Hose Packages: For use with 1/2" to 2" Valves.

DATE:	SPECIFICATION SECTION:			PAGE:	of	
PROJECT	ARCHITECT/ENGINEER	AGENCY	REPRESENTATIVE	DATE	NOTES	
		ARCHITECT				
		ENGINEER				
	SUPPLIER	CONTRACTOR	CONTRACTOR 1			
			CONTRACTOR 2			
			OTHER			
		<i>NOTE</i>	<i>COMMENT</i>			
ORDER NO.						



Materials

<i>Isolation Valve and Strainer</i>	
Valve bodies, end pieces	Forged brass ASTM B283
Strainer cap	Forged brass ASTM B283
Filter screen	304 Stainless steel
Handle & nut	Zinc plated
Ball	Hard chrome plated brass
Ball seals	Teflon
Shaft	Brass
Shaft seals	Dual FKM o-rings
Union seals	FKM o-rings
Cap seals	FKM o-rings
<i>Braided Hose</i>	
Core	Fabric Reinforced EPDM
Braid	Stainless steel
Fitting	Brass OT58
Gasket	EPDM

Description

Pre-Configured Hose Packages from Danfoss simplify the connection of Danfoss AB-QM™ Pressure Independent Control Valves to heat exchanging coils. Hose Packages are available in NPT, Sweat, and Press end configurations. All tail pieces, gaskets and seals required for installation of the AB-QM™ valve are included in the Hose Packages.

The supply-side is equipped with a combination strainer, ball valve, union end, manual air vent, pressure & temperature test plug and a blowdown/drain valve plus a reinforced EPDM hose with stainless steel braid.

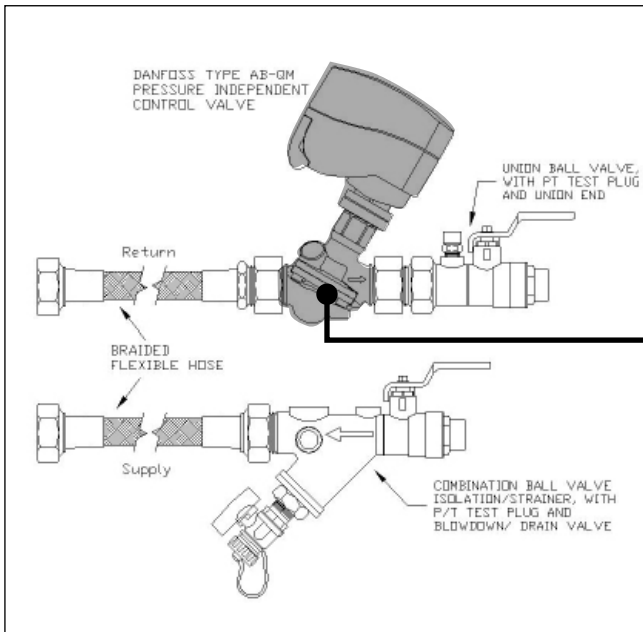
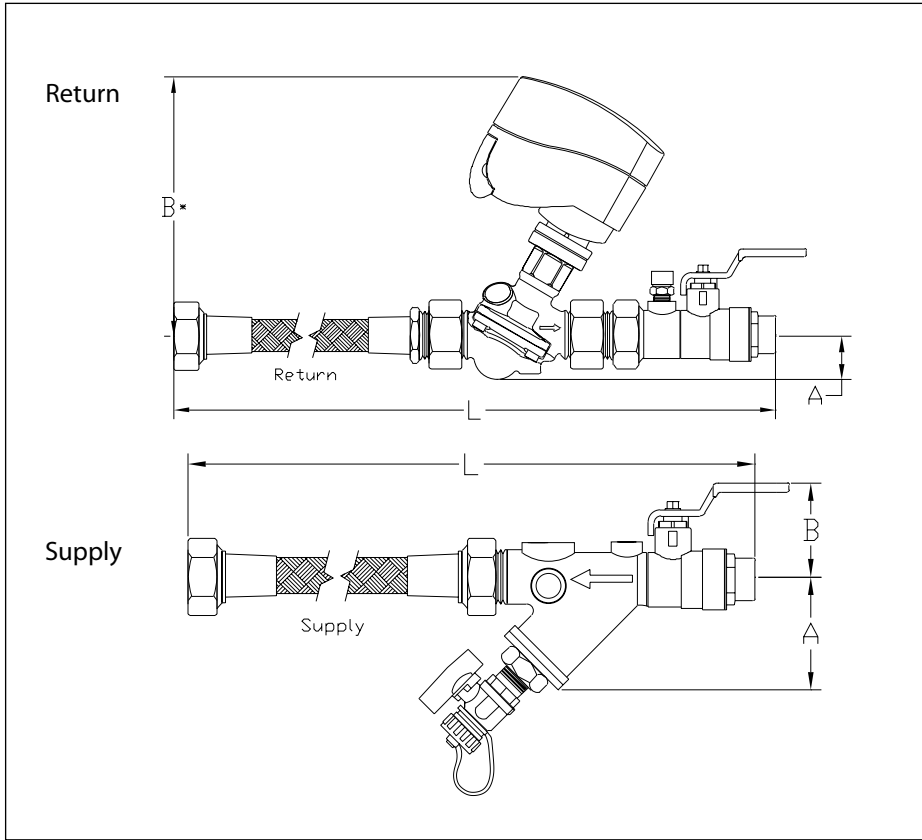
The return-side is equipped with a combination ball valve and union end with a pressure & temperature test plug plus a reinforced EPDM hose with stainless steel braid. Return-side components are ready for connection to Danfoss AB-QM™ Pressure Independent Control Valves.

Danfoss AB-QM™ valves and actuators are not included in Hose Packages. They are ordered separately.



Dimensions and Weight

	Length	Weight (lbs)	Code No.	Connections			Dimensions (inches) +/-3%						Minimum Bend Radius	Temp. Range (°F)	Working Pressure (PSI)					
				Size	Pipe End	Coil End	Supply			Return										
							L	A	B	L	A	B								
Female NPT	24"	2.4	193B1560	1/2"	Female NPT	Male NPT	29.2	1.6	1.7	31.8	0.9	Refer to Datasheet for AB-QM™ Pressure Independent Control Valves	3 1/16"	5° to 248°	400					
		5.3	193B1561	3/4"			30.6	2.4	1.8	33.2	1.3		3 1/16"	5° to 248°	400					
		7.5	193B1562	1"			30.9	2.4	1.8	34.4	1.7		4 3/8"	5° to 248°	400					
		13.8	193B1563	1 1/4"			32.2	3.5	2.5	36.7	1.9		5 1/8"	5° to 248°	300					
		17.0	193B1564	1 1/2"			32.3	3.5	2.5	35.6	6.65		7 1/8"	5° to 248°	300					
		32.0	193B1565	2"			35.3	5.1	3.4	37.9	6.65		9 1/2"	5° to 248°	300					
	36"	3.4	193B1566	1/2"			41.2	1.6	1.7	43.8	0.9		3 1/16"	5° to 248°	400					
		6.1	193B1567	3/4"			42.6	2.4	1.8	45.2	1.3		3 1/16"	5° to 248°	400					
		8.5	193B1568	1"			42.9	2.4	1.8	46.4	1.7		4 3/8"	5° to 248°	400					
		14.7	193B1569	1 1/4"			44.2	3.5	2.5	48.7	1.9		5 1/8"	5° to 248°	300					
		21.0	193B1570	1 1/2"			44.3	3.5	2.5	47.6	6.65		7 1/8"	5° to 248°	300					
		40.0	193B1571	2"			47.3	5.1	3.4	49.9	6.65		9 1/2"	5° to 248°	300					
		Sweat	24"	2.4			193B1572	1/2"	Female Sweat	Female Sweat	29.1		1.6	1.7	31.7	0.9	Refer to Datasheet for AB-QM™ Pressure Independent Control Valves	3 1/16"	5° to 248°	400
				5.3			193B1573	3/4"			30.4		2.4	1.8	33.0	1.3		3 1/16"	5° to 248°	400
7.5	193B1574			1"	30.8	2.4	1.8	34.3			1.7	4 3/8"	5° to 248°	400						
13.8	193B1575			1 1/4"	32.0	3.5	2.5	36.5			1.9	5 1/8"	5° to 248°	300						
17.0	193B1576			1 1/2"	32.4	3.5	2.5	35.6			6.65	7 1/8"	5° to 248°	300						
32.0	193B1577			2"	36.0	5.1	3.4	38.6			6.65	9 1/2"	5° to 248°	300						
36"	3.4		193B1578	1/2"	41.1	1.6	1.7	43.7			0.9	3 1/16"	5° to 248°	400						
	6.1		193B1579	3/4"	42.4	2.4	1.8	45.0			1.3	3 1/16"	5° to 248°	400						
	8.5		193B1580	1"	42.8	2.4	1.8	46.3			1.7	4 3/8"	5° to 248°	400						
	14.7		193B1581	1 1/4"	44.0	3.5	2.5	48.5			1.9	5 1/8"	5° to 248°	300						
	21.0		193B1582	1 1/2"	44.4	3.5	2.5	47.6			6.65	7 1/8"	5° to 248°	300						
	40.0		193B1583	2"	48.0	5.1	3.4	50.6			6.65	9 1/2"	5° to 248°	300						
	Press Hose Kits		24"	2.4	193B1584	1/2"	Female Press	Female Sweat			29.5	1.6	1.7	32.0	0.9	Refer to Datasheet for AB-QM™ Pressure Independent Control Valves		3 1/16"	5° to 248°	200
				5.3	193B1585	3/4"					30.8	2.4	1.8	33.3	1.3			3 1/16"	5° to 248°	200
7.5		193B1586		1"	31.1	2.4			1.8	34.4	1.7	4 3/8"	5° to 248°	200						
13.8		193B1587		1 1/4"	34.0	3.5			2.5	38.5	1.9	5 1/8"	5° to 248°	200						
17.0		193B1588		1 1/2"	37.1	3.5			2.5	37.8	6.65	7 1/8"	5° to 248°	200						
32.0		193B1589		2"	38.0	5.1			3.4	40.5	6.65	9 1/2"	5° to 248°	200						
36"		3.4	193B1590	1/2"	41.5	1.6			1.7	44.0	0.9	3 1/16"	5° to 248°	200						
		6.1	193B1591	3/4"	42.8	2.4			1.8	45.3	1.3	3 1/16"	5° to 248°	200						
		8.5	193B1592	1"	43.1	2.4			1.8	46.4	1.7	4 3/8"	5° to 248°	200						
		14.7	193B1593	1 1/4"	46.0	3.5			2.5	50.5	1.9	5 1/8"	5° to 248°	200						
		21.0	193B1594	1 1/2"	49.1	3.5			2.5	49.8	6.65	7 1/8"	5° to 248°	200						
		40.0	193B1595	2"	50.0	5.1			3.4	52.5	6.65	9 1/2"	5° to 248°	200						



Not Included:

AB-QM™ Valve and Actuator **are not** included with Danfoss hose packages and must be ordered separately. Displayed here for illustrative assembly characteristics only.

Danfoss . Heating Segment . North America

Tel.: 1-866-326-3677 . Email: heating.cs.na@danfoss.com . www.heating.danfoss.us . www.ABQMvalves.com

Danfoss can accept no responsibility for possible errors in catalogs, brochures, and other printed material. Danfoss reserves the right to alter its products without notice. This also applies to products already on order provided that such alterations can be made without subsequential changes being necessary in specifications already agreed. All trademarks in this material are property of the respective companies. Danfoss and the Danfoss logotype are trademarks of Danfoss A/S. All rights reserved.