

Capacity (EN 12900/CECOMAF)

watt

Comp. °C	-45	-40	-35	-30	-25	-23.3	-20	-15	-10
SC21CL	226	325	455	617	813	887	1042	1306	1606

Capacity (ASHRAE)

watt

Comp. °C	-45	-40	-35	-30	-25	-23.3	-20	-15	-10
SC21CL	263	378	529	719	947	1033	1215	1524	1876

Power consumption

watt

Comp. °C	-45	-40	-35	-30	-25	-23.3	-20	-15	-10
SC21CL	400	462	534	615	702	733	795	891	989

Current consumption

A

Comp. °C	-45	-40	-35	-30	-25	-23.3	-20	-15	-10
SC21CL	2.40	2.63	2.94	3.31	3.71	3.86	4.14	4.58	5.00

COP (EN 12900/CECOMAF)

W/W

Comp. °C	-45	-40	-35	-30	-25	-23.3	-20	-15	-10
SC21CL	0.57	0.70	0.85	1.00	1.16	1.21	1.31	1.47	1.62

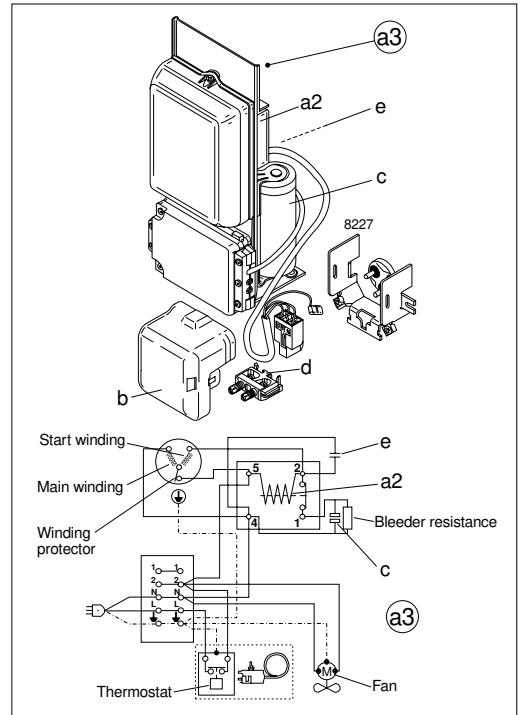
COP (ASHRAE)

W/W

Comp. °C	-45	-40	-35	-30	-25	-23.3	-20	-15	-10
SC21CL	0.66	0.82	0.99	1.17	1.35	1.41	1.53	1.71	1.90

Test conditions
 Condensing temperature 45°C
 Ambient and suction gas temp. 32°C
 Liquid temperature 45°C
 Fan cooling F₂, 220V 50Hz

EN 12900/CECOMAF
 45°C
 32°C
 45°C
 ASHRAE
 45°C
 32°C
 32°C



Accessories

Devices	Fig.	SC21CL
Starting device	a3	117-7012 (470 mm cable length) 117-7027 (550 mm cable length) 117-7040 (1000 mm cable length)
Cover	b	103N2009
Starting relay	a2	Components of starting device
Starting capacitor 80 µF	c	
Run capacitor	e	
Cord relief	d	103N1004
Mounting accessories		
Bolt joint for one compressor		118-1917
Bolt joint in quantities		118-1918
Snap-on in quantities		118-1919

Danfoss can accept no responsibility for possible errors in catalogues, brochures and other printed material. Danfoss reserves the right to alter its products without notice. This also applies to products already on order provided that such alterations can be made without subsequential changes being necessary in specifications already agreed. All trademarks in this material are property of the respective companies. Danfoss and the Danfoss logotype are trademarks of Danfoss A/S. All rights reserved.

