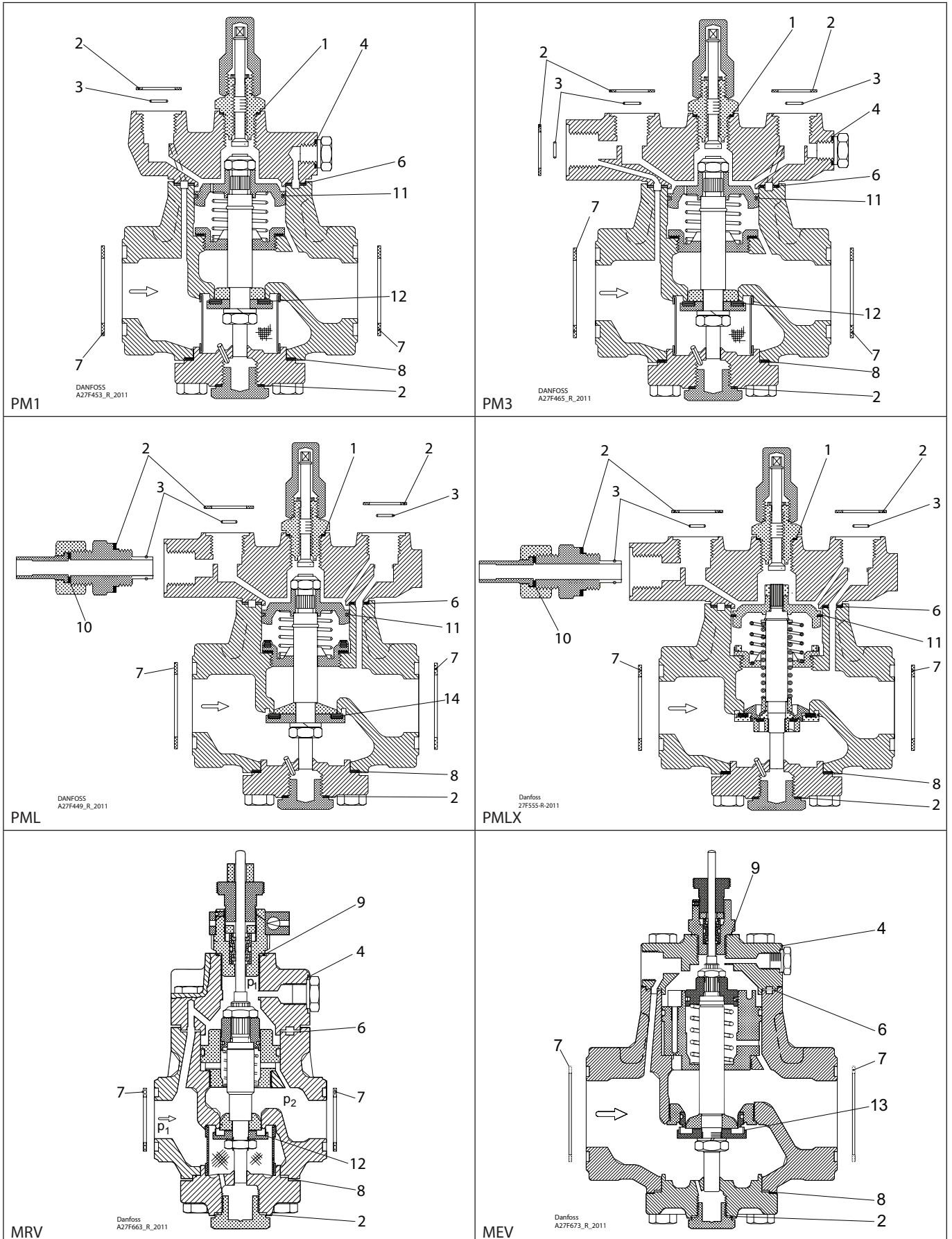
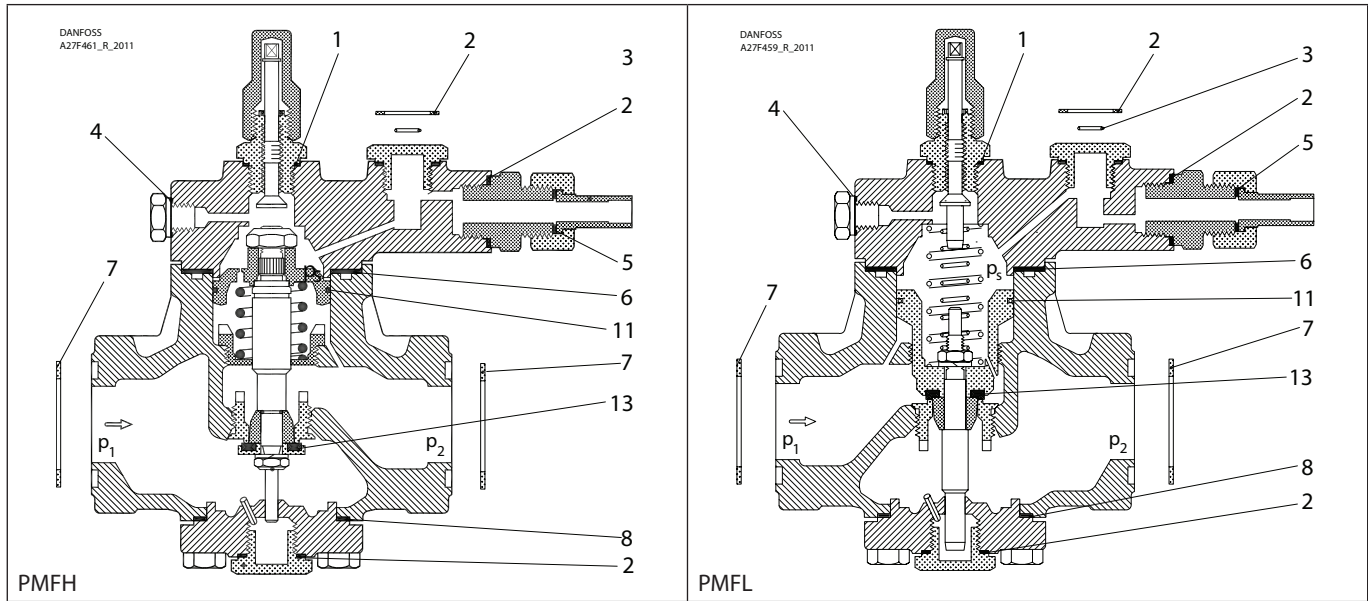


Installation guide – Spare parts and accessories

Repair kit | Code number 027F3153

PM, PML/X, MRV, size 40 | MEV, PMFH/L, size 200





1 <p>Ø26 mm Ø1.02"</p> <p>Total no. = 1</p>	2 <p>Ø33 mm Ø1.28"</p> <p>Total no. = 4</p>	3 <p>Ø9 mm Ø0.36"</p> <p>Total no. = 3</p>	4 <p>Ø18 mm Ø0.70"</p> <p>Total no. = 1</p>	5 <p>Ø14 mm Ø0.55"</p> <p>Total no. = 1</p>	6 <p>Ø93 mm Ø3.66"</p> <p>Total no. = 1</p>
7 <p>Ø65 mm Ø2.56"</p> <p>Total no. = 2</p>	8 <p>Ø78 mm Ø3.07"</p> <p>Total no. = 1</p>	9 <p>Ø32 mm Ø1.26"</p> <p>Total no. = 1</p>	10 <p>Ø22 mm Ø0.87"</p> <p>Total no. = 1</p>	11 <p>Ø68 mm Ø2.68"</p> <p>Total no. = 1</p>	12 <p>Ø42 mm Ø1.65"</p> <p>Ø50 mm Ø1.96"</p> <p>Total no. = 1</p>
13 <p>Ø26 mm Ø1.04"</p> <p>Ø32 mm Ø1.26"</p> <p>Total no. = 1</p>	14 <p>Ø50 mm Ø1.98"</p> <p>Ø60 mm Ø2.35"</p> <p>Total no. = 1</p>				