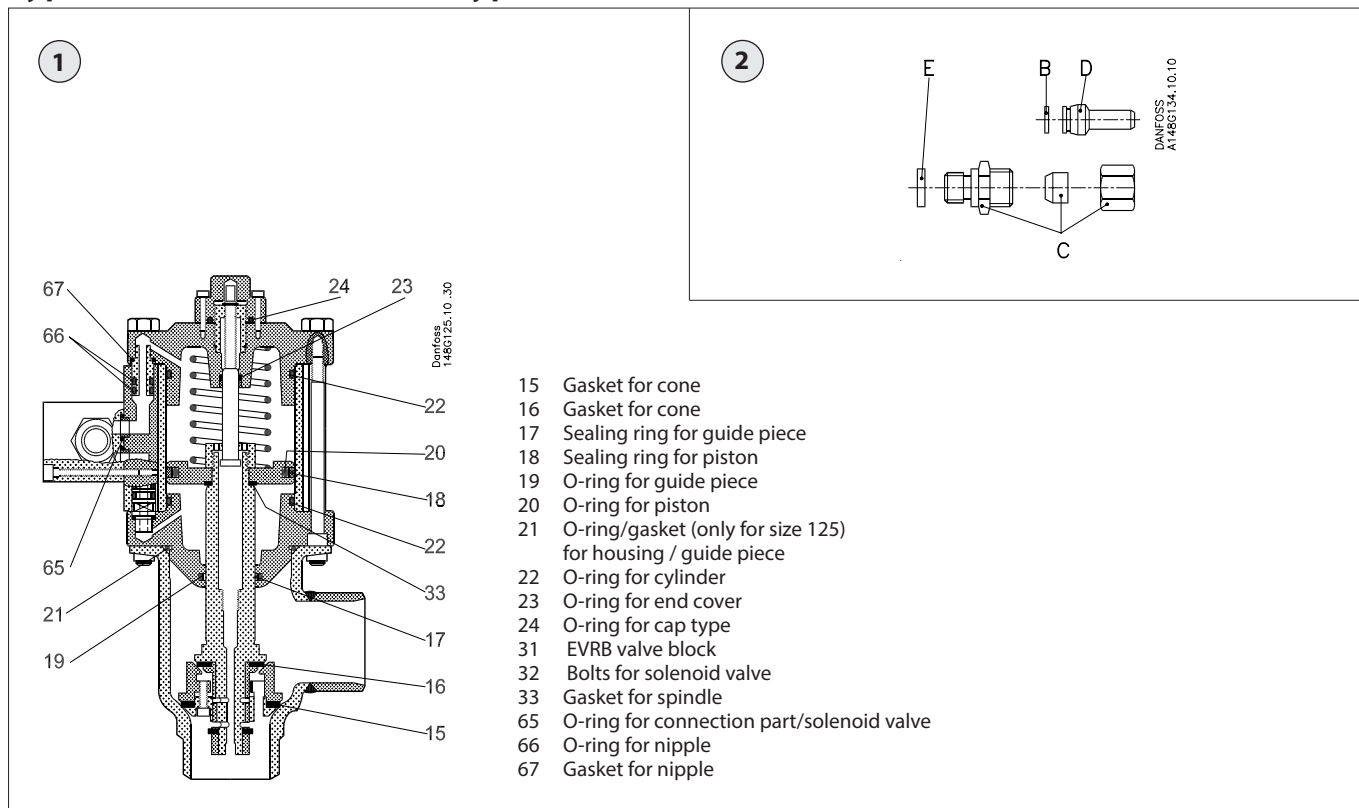


Data sheet – Spare parts and accessories

**Gas powered stop valve**  
**Type GPS 40-150 (1½ - 6 in.) type 111**



- 15 Gasket for cone
- 16 Gasket for cone
- 17 Sealing ring for guide piece
- 18 Sealing ring for piston
- 19 O-ring for guide piece
- 20 O-ring for piston
- 21 O-ring/gasket (only for size 125) for housing / guide piece
- 22 O-ring for cylinder
- 23 O-ring for end cover
- 24 O-ring for cap type
- 31 EVRB valve block
- 32 Bolts for solenoid valve
- 33 Gasket for spindle
- 65 O-ring for connection part/solenoid valve
- 66 O-ring for nipple
- 67 Gasket for nipple

Description	Pos. #	Qty.	Size	Code no.
<b>Repair kit, complete set of gaskets, Fig. 1</b>				
Repair kit, complete set of gaskets	15, 16, 17, 18, 19, 20, 21, 22, 23, 24, 33, 65, 66, 67	1	Size 40-50 (1½ -2 in.)	<b>2453+047</b>
	15, 16, 17, 18, 19, 20, 21, 22, 23, 24, 33, 65, 66, 67	1		
	15, 16, 17, 18, 19, 20, 21, 22, 23, 24, 33, 65, 66, 67	1		
	15, 16, 17, 18, 19, 20, 21, 22, 23, 24, 33, 65, 66, 67	1		
	15, 16, 17, 18, 19, 20, 21, 22, 23, 24, 33, 65, 66, 67	1		
Repair kit, complete set of gaskets	15, 16, 17, 18, 19, 20, 21, 22, 23, 24, 33, 65, 66, 67	1	Size 65-80 (2½ -3 in.)	<b>2453+048</b>
	15, 16, 17, 18, 19, 20, 21, 22, 23, 24, 33, 65, 66, 67	1		
	15, 16, 17, 18, 19, 20, 21, 22, 23, 24, 33, 65, 66, 67	1		
	15, 16, 17, 18, 19, 20, 21, 22, 23, 24, 33, 65, 66, 67	1		
	15, 16, 17, 18, 19, 20, 21, 22, 23, 24, 33, 65, 66, 67	1		
Repair kit, complete set of gaskets	15, 16, 17, 18, 19, 20, 21, 22, 23, 24, 33, 65, 66, 67	1	Size 100 (4 in.)	<b>2453+049</b>
	15, 16, 17, 18, 19, 20, 21, 22, 23, 24, 33, 65, 66, 67	1		
	15, 16, 17, 18, 19, 20, 21, 22, 23, 24, 33, 65, 66, 67	1		
	15, 16, 17, 18, 19, 20, 21, 22, 23, 24, 33, 65, 66, 67	1		
	15, 16, 17, 18, 19, 20, 21, 22, 23, 24, 33, 65, 66, 67	1		
Repair kit, complete set of gaskets	15, 16, 17, 18, 19, 20, 21, 22, 23, 24, 33, 65, 66, 67	1	Size 125 (5 in.)	<b>2453+055</b>
	15, 16, 17, 18, 19, 20, 21, 22, 23, 24, 33, 65, 66, 67	1		
	15, 16, 17, 18, 19, 20, 21, 22, 23, 24, 33, 65, 66, 67	1		
	15, 16, 17, 18, 19, 20, 21, 22, 23, 24, 33, 65, 66, 67	1		
	15, 16, 17, 18, 19, 20, 21, 22, 23, 24, 33, 65, 66, 67	1		
Repair kit, complete set of gaskets	15, 16, 17, 18, 19, 20, 21, 22, 23, 24, 33, 65, 66, 67	1	Size 150 (6 in.)	<b>2453+068</b>
	15, 16, 17, 18, 19, 20, 21, 22, 23, 24, 33, 65, 66, 67	1		
	15, 16, 17, 18, 19, 20, 21, 22, 23, 24, 33, 65, 66, 67	1		
	15, 16, 17, 18, 19, 20, 21, 22, 23, 24, 33, 65, 66, 67	1		
	15, 16, 17, 18, 19, 20, 21, 22, 23, 24, 33, 65, 66, 67	1		

Description	Pos. #	Qty.	Size	Code no.
<b>Complete pilot valve block type EVRB without coils, Fig. 1</b>				
Complete pilot valve block type EVRB without coils	31, 32, 65	1	Size 40-50 (1½ -2 in.)	<b>2453+103</b>
Complete pilot valve block type EVRB without coils	31, 32, 65	1	Size 65-80 (2½ -3 in.)	<b>2453+103</b>
Complete pilot valve block type EVRB without coils	31, 32, 65	1	Size 100 (4 in.)	<b>2453+103</b>
Complete pilot valve block type EVRB without coils	31, 32, 65	1	Size 125 (5 in.)	<b>2453+103</b>
Complete pilot valve block type EVRB without coils	31, 32, 65	1	Size 150 (6 in.)	<b>2453+103</b>
<b>External/pilot connection complete, Fig. 2.</b>				
External/pilot connection complete		1	Size 40-50 (1½ -2 in.)	<b>148G3750</b>
External/pilot connection complete		1	Size 65-80 (2½ -3 in.)	<b>148H3446</b>
External/pilot connection complete		1	Size 100 (4 in.)	<b>148H3446</b>
External/pilot connection complete		1	Size 125 (5 in.)	<b>148H3446</b>
External/pilot connection complete		1	Size 150 (6 in.)	<b>148H3446</b>