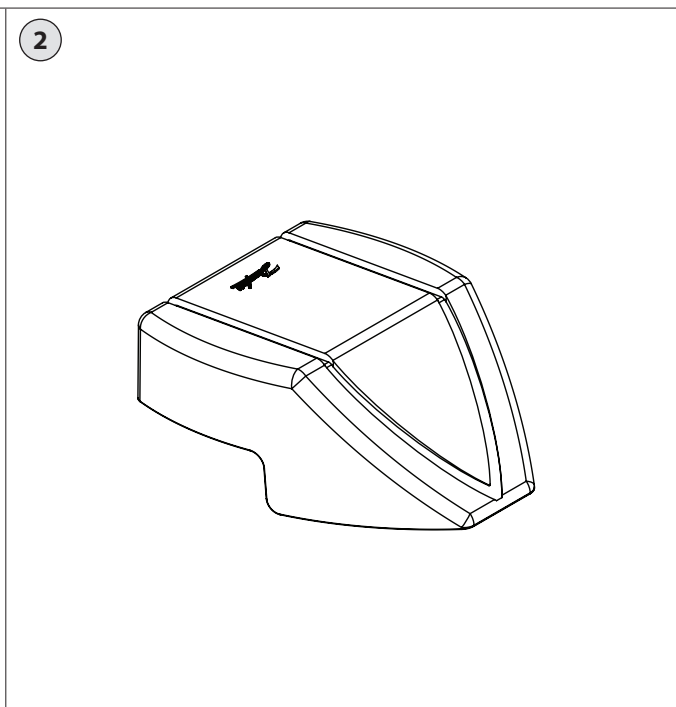
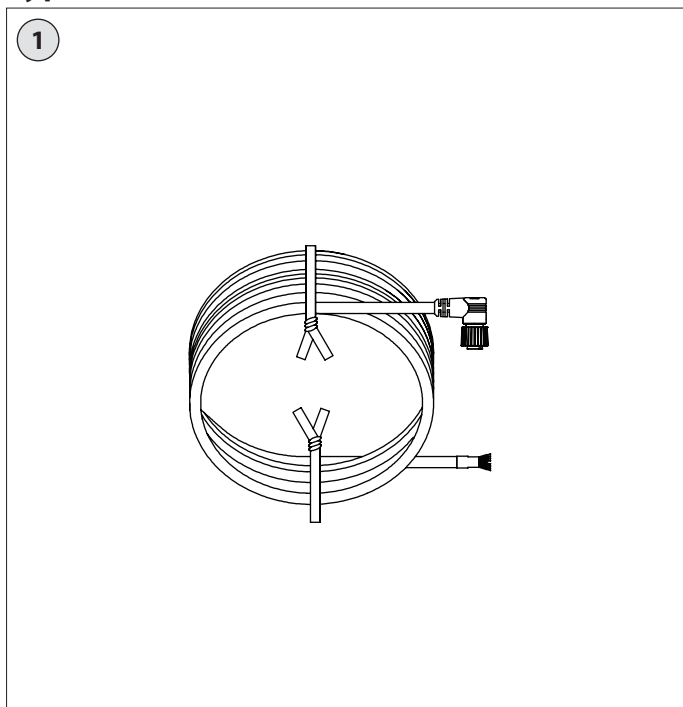


Data sheet – Spare parts and accessories

Actuators for ICM and ICMTS

Types ICAD 600A, ICAD 600A-TS and ICAD 1200A



Description	Fig. #	Qty.	Code no.
Cable for ICAD			
Cable set 1.5 m, female	1	1	027H0426
Cable set 3 m, female	1	1	027H0438
Cable set 10 m, female	1	1	027H0427
Cable set 15 m, female	1	1	027H0435

Description	Fig. #	Qty.	Code no.
Protection cap ICAD			
Protection cap	2	1	027H0431
Female Connectors with screw terminals:			
- connector for power	-	2	027H0430
- connector for control signals			