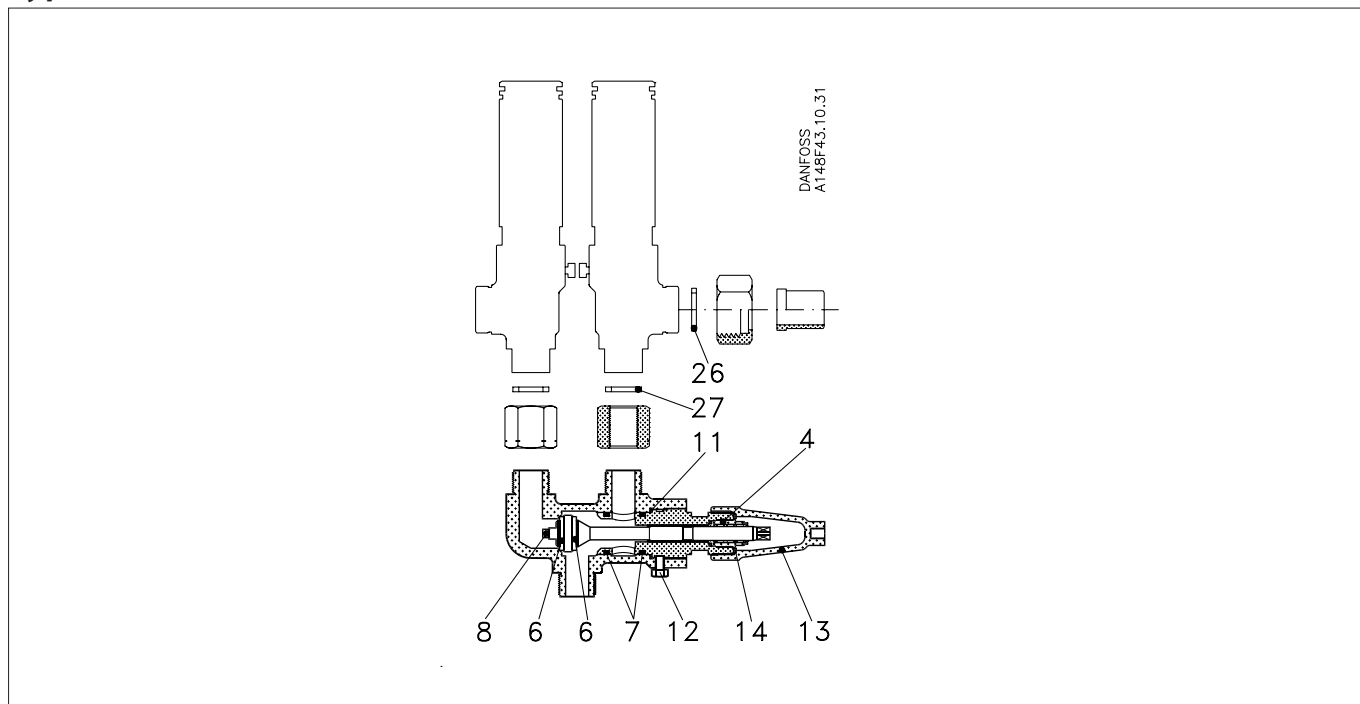


Data sheet – Spare parts and accessories

**Change-over valve
Type DSV 15 (½ in.)**



Description	Pos. #	Qty.	Code no.
Spare part kit, for bonnet and cap (dismounting set)			
O-ring for housing/bonnet	7	1	148F3001
Compression ring	11	1	
Lock screw	12	1	
Gasket for cap	14	1	
Repair kit, complete set of gaskets			
Gaskets complete for packing gland	4	1	2453+054
Gaskets for cone	6	1	
O-ring for housing/bonnet	7	1	
Lock pin	8	1	
Compression ring	11	1	
Lock screw	12	1	
Gasket for cap	14	1	
Gasket for nipple SFV	26	1	
Gasket for nipple SFV/DSV	27	1	

Description	Pos. #	Qty.	Code no.
Packing gland incl. gaskets (with O-rings)			
Packing gland incl. gaskets	4	1	148B4056
Cap incl. gasket			
Cap incl. gasket	13	1	148B4075
Grease for packing gland (tube)			
Grease for packing gland (tube)		1	148H3445