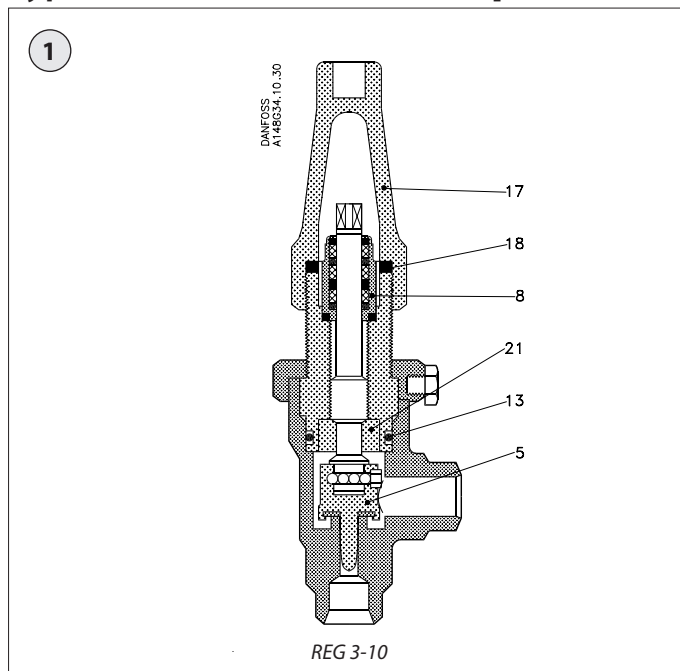


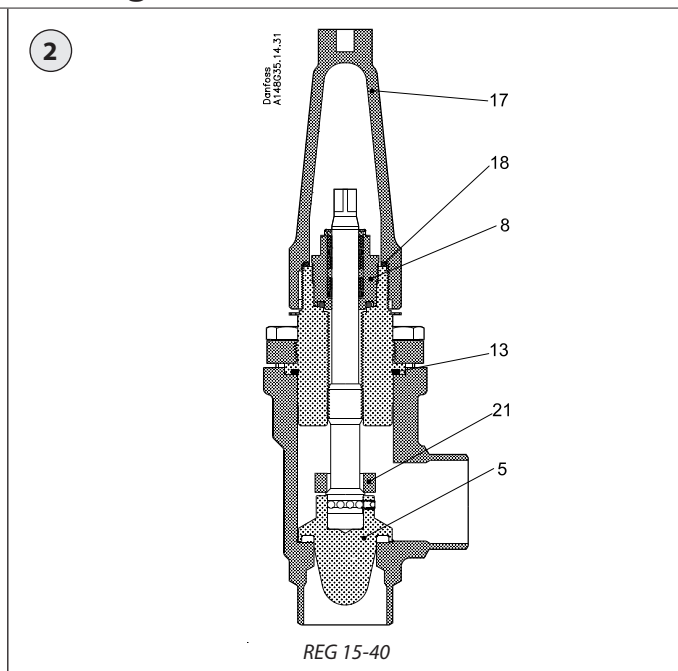
Data sheet – Spare parts and accessories

Hand regulating valves

Type REG 3-40 (1/8-1 1/2 in.) with previous cone design



REG 3-10



REG 15-40

REG 3-10 (1/8 - 3/8 in.) - fig. 1

Description	Pos. #	Code no. For cone number (*)
Repair kit, complete set of gaskets		
Cone complete incl. steel balls and Allen screw	5	(1) 2453+035 (2) 2453+036 (3) 2453+037
Gaskets complete for packing gland	8a	
O-ring for housing/bonnet	13	
Gasket for cap	18	
Distance ring	21	
Allen key	-	
Cap incl. gasket		
Cap incl. gasket	17	148B4074

REG 25-40 (1 - 1 1/2 in.) - fig. 2

Description	Pos. #	Code no. For cone number (*)
Spare part kit, for bonnet and cap (dismounting set)		
O-ring for housing/bonnet	13	148B4008
Cap incl. gasket	17	
Gasket for cap	18	
Repair kit, complete set of gaskets		
Cone complete incl. steel balls and Allen screw	5	(8) 2453+042 (9) 2453+043 (10) 2453+044
Gaskets complete for packing gland	8a	
O-ring for housing/bonnet	13	
Gasket for cap	18	
Distance ring	21	
Allen key	-	

REG 15-25 (1/2 - 1 in.) - fig. 2

Description	Pos. #	Code no. For cone number (*)
Spare part kit, for bonnet and cap (dismounting set)		
O-ring for housing/bonnet	13	148B4053
Cap incl. gasket	17	
Gasket for cap	18	
Repair kit, complete set of gaskets		
Cone complete incl. steel balls and Allen screw	5	(4) 2453+038 (5) 2453+039 (6) 2453+040 (7) 2453+041
Gaskets complete for packing gland	8a	
O-ring for housing/bonnet	13	
Gasket for cap	18	
Distance ring	21	
Allen key	-	
Packing gland incl. gaskets (with O-rings)		
Packing gland incl. gaskets	8	148B4056
Cap incl. gasket		
Cap incl. gasket	17	148B4075

Packing gland incl. gaskets (with O-rings)

Packing gland incl. gaskets	8	148B4032
-----------------------------	---	----------

Cap incl. gasket

Cap incl. gasket	17	148B4076
------------------	----	----------

All types

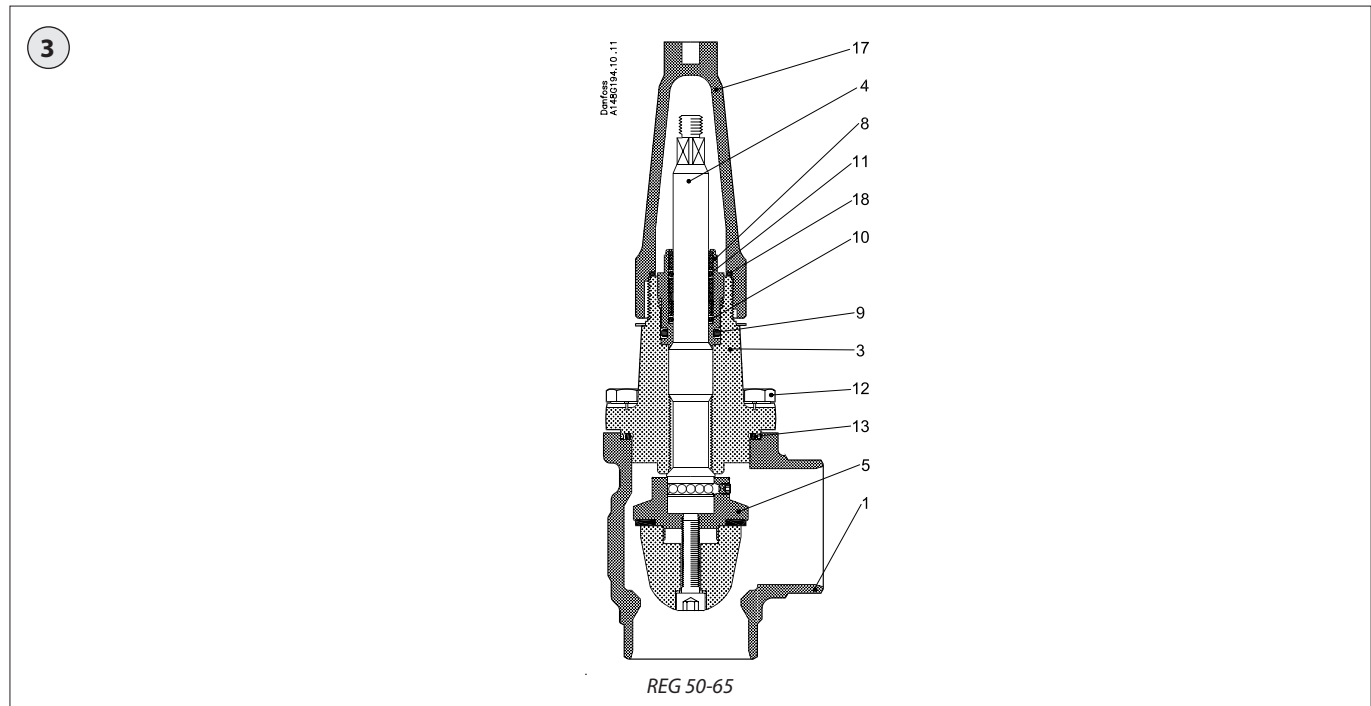
Description	Code no.
Grease for packing gland (tube)	
Grease for packing gland (tube)	148H3445

* **Note:** Cone no. equal to last digit in type designation (e.g. REG 15 A XXn, n = cone no.)

Data sheet – Spare parts and accessories

Hand regulating valves

Type REG 50-65 (2 - 2½ in.) with previous cone design



REG 50 (2 in.) - fig. 3

Description	Pos. #	Code no. For cone number (*)
Repair kit, complete set of gaskets		
Cone complete incl. steel balls and Allen screw	5	(11) 148G3197
Packing gland incl. gaskets	8	
O-ring for housing / bonnet	13	
Gasket for cap	18	
Allen key	-	
Cap incl. gasket		
Cap incl. gasket	17	148B4076

REG 65 (2½ in.) - fig. 3

Description	Pos. #	Code no.
Spare part kit, for bonnet and cap (dismounting set)		
O-ring for housing/bonnet	13	148B4010
Gasket for cap	18	
Cap incl. gasket		
Cap incl. gasket	17	148B4076

All types

Description	Code no.
Grease for packing gland (tube)	
Grease for packing gland (tube)	148H3445